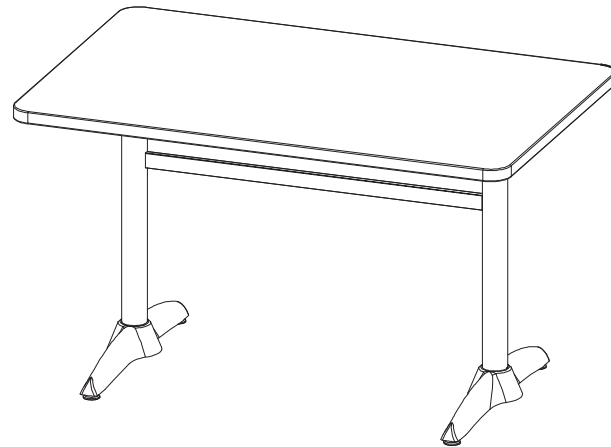


BOLERO

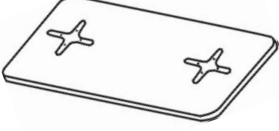

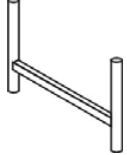



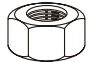



U432 Bistro Table

Assembly Instructions



UK	0845 146 2887	Fourth Way, Avonmouth, Bristol, BS11 8TB United Kingdom
Eire		42 North Point Business Park, New Mallow Road, Cork, Ireland
NL	040 – 2628080	
FR	01 60 34 28 80	
BE-NL	0800-29129	
BE-FR	0800-29229	
DE	0800 – 1860806	
ES	901-100 133	
PT	vendas@nisbets.pt	
AU	1300 225 960	15 Badgally Road, Campbelltown, 2560, NSW, Australia

Parts list:

- 1.  x 1
- 2.  x 2
- 3.  x 1
- 4.  x 2
- 5.  x 4
- 6.  x 4
- 7.  x 4
- 8.  x 4
- 9.  x 1
- 10.  x 1

