



Planetary Mixer Instruction manual



(NL)	Planetaire Mixer	18
	Handleiding	
(FR)	Batteur mélangeur	27
	Mode d'emploi	
(DE)	Planetenrührmaschine	36
	Bedienungsanleitung	

(IT)	Impastatrice planetaria	45
	Manuale di istruzioni	
(ES)	Mezcladora planetaria	54
	Manual de instrucciones	
(PT)	Misturadora	63
	Manual de instruções	

Model • Modèle • Modell • Modello • Modelo • Malli:
GL190 / GL191 / GJ461

Exploded diagram and spare parts list

GL190

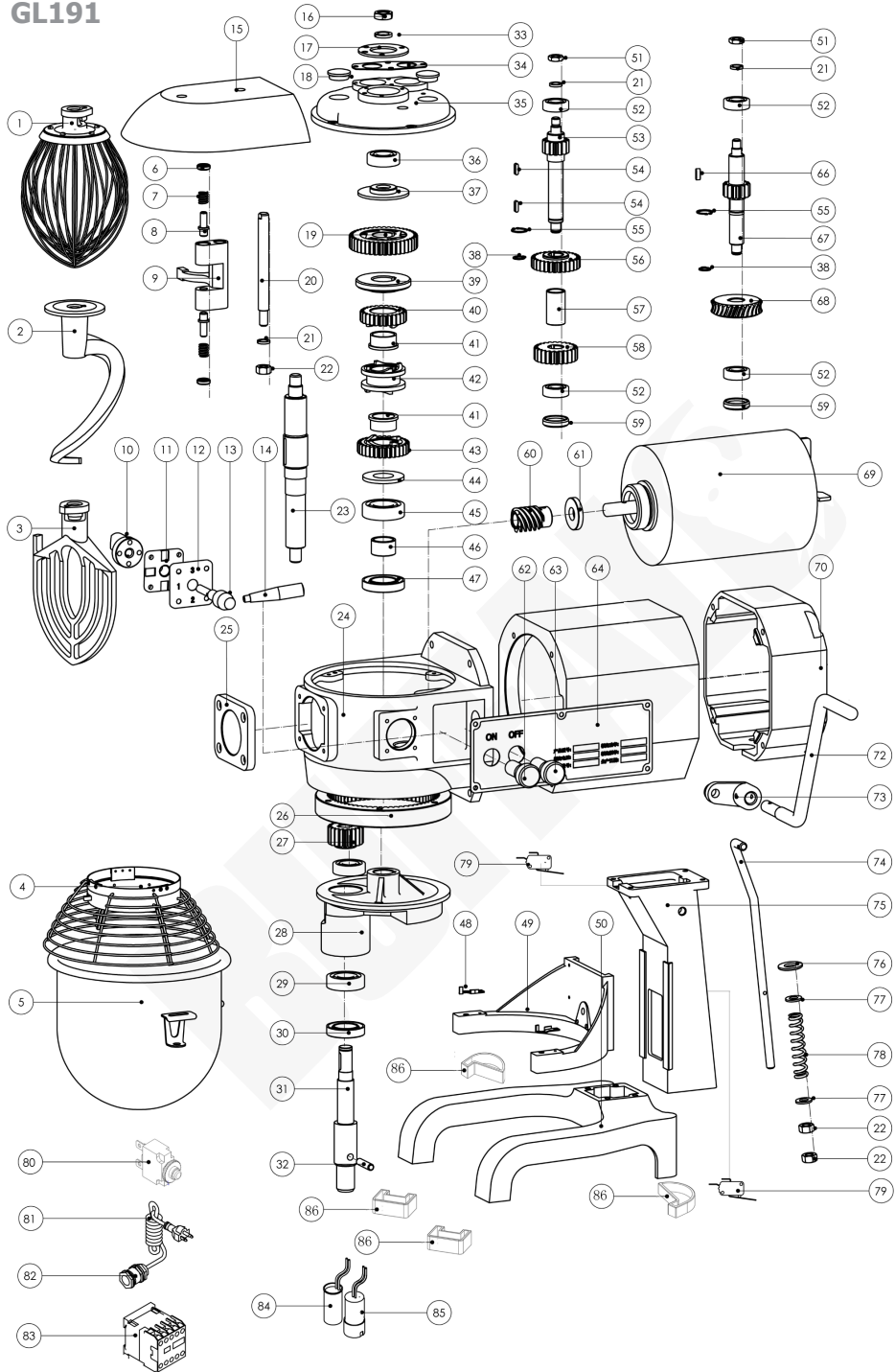
No.	Description	No.	Description	No.	Description
1	Flat Beater	48	Bearings	93	Support
2	Dough Hook	49	Seal	94	Washer
3	Wire Whip	50	Bearings	95	Type 1 Hexagon Nut
4	Gear Box	51	Gear Shaft	96	Screw
5	Circlip	52	Key: 5x10	97	Lifting Support
6	Worm Gear	53	Key: 5x10	98	Hexagon
7	Seal	54	Gear	99	Flat Washer
8	Key	55	Circlips	100	Spring
9	Motor	56	Gear	101	Flat Washer
10	Fan	57	Circlips	102	Pin
11	Rear Outer	58	Bearings	103	Connecting Rod
12	Nut M5 x 60	59	Bearings	104	Cotter Pin
13	Washer	60	Key: 5x14	105	Retainer Pin
14	Connector	61	Shaft	106	Crank Lever
15	Nut M4 x 8	62	Worm Gear	107	Handle
16	Red Button	63	Circlips	108	Rear Pillar
17	Green Button	64	Bearings	109	Hexagonal Bolt
18	Nut M4 x 8	65	Control Nut	110	Base
19	Panel	66	Spring	111	Hexagonal Bolt
20	Nut M4x 20	67	Fork Pin	112	Power Cord
21	Micro Switch	68	Shaft	113	Gland
22	Distance	69	Shifting Yoke	114	Screw
23	Handle Assembly	70	Inner Gear	115	Contact Switch
25		71	Hexagon Socket	116	Type 1
26		72	Circlips	117	AC connector
27		73	Planet Gear	118	Fixing Plate
28		74	Operating Shelf	119	Screw
29		75	Bearing	120	Screw
30		76	Shaft Support	121	Capacitor
31		Bearings	77	Bearing	122
32	Washer	78	Seal	123	Screw
33	Spring	79	Key: 5x20	124	Fixing Plate
34	Roller 6 x 10	80	Spindle	125	Screw

Exploded diagram and spare parts list

GL190

35	Gear	81	Retainer Pin	126	Type 1
36	Cog	82	Bowl	127	Bracket
37	Ring Gasket	83	Screw	128	Distance Switch
38	Gear	84	Washer	129	Screw
39	Shaft sleeve	86	Rear Guard	130	Type 1
40	Claw Clutch	87	Bolt	132	Shaft Pin
41	Key: 5x25	85	Front Guard Assembly	133	Split Washer
42	Key: 5x30	88		134	Spring
43	Key: 5x30	89		135	Overload
44	Main Shaft	90			
45	Shaft Sleeve	91			
46	Gear	131			
47	Washer	92		Taper Pin	

GL191

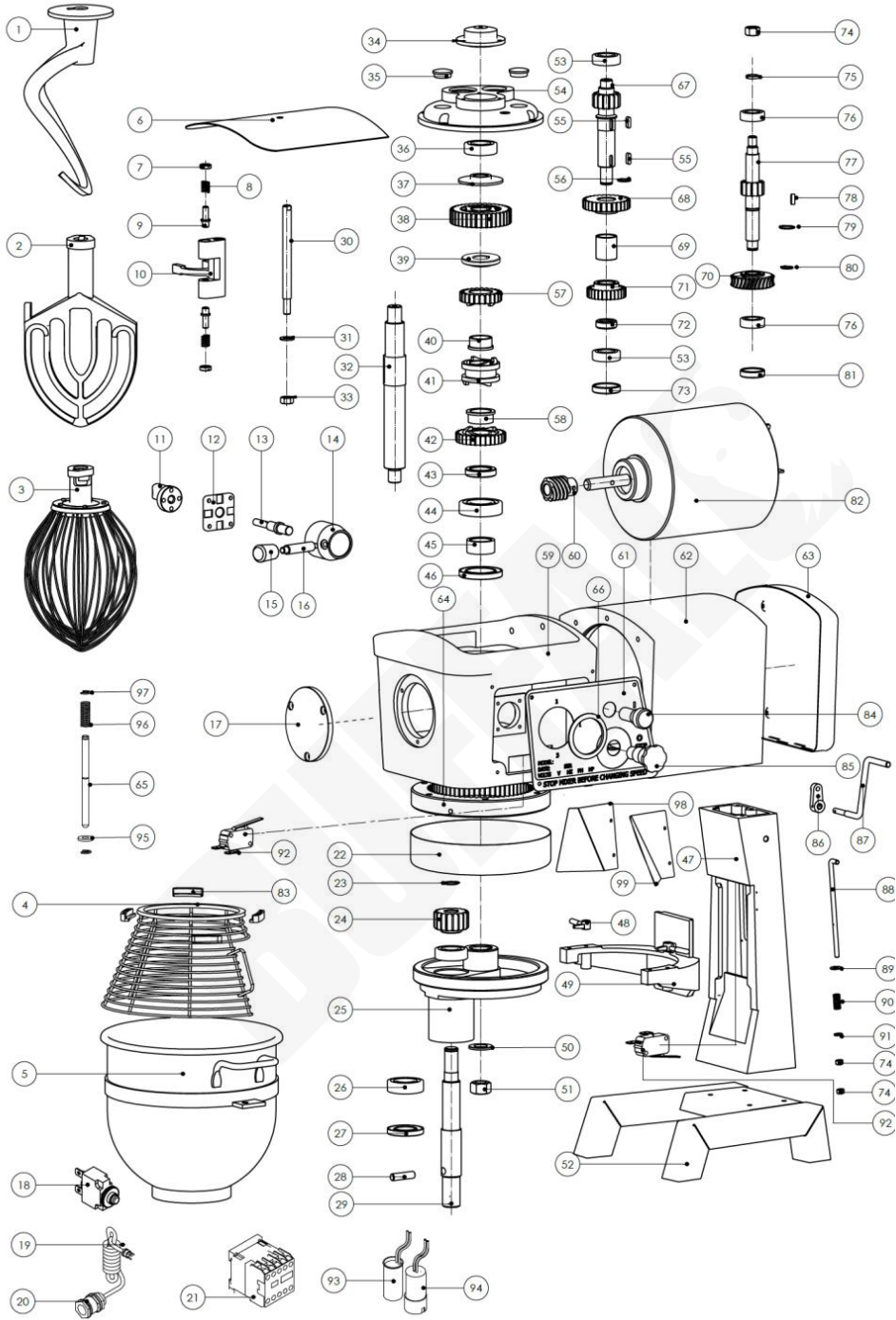


GL191

NO.	DESCRIPTION	NO.	DESCRIPTION	NO.	DESCRIPTION
1	Wire Whip	22	Nut	60	Worm wheel
2	Spiral Dough Hook	24	Gear Box	69	Motor (With Tool)
3	Flat Beater	24	Gear Box	61	Oil seal
4	Safety Guard	25	End Cap	62	Green Button
5	Bowl Assembly	26	Internal Gear	63	Red Button
6	Cap	27	Gear	64	Panel
7	Spring	28	Operating Shaft	65	Motor Housing
8	Pin Shaft	29	Bearing	66	Key
9	Shifting Yoke	30	Oil Seal	67	Shaft Worm Gear
10	Cam Gear	31	Working Shaft	68	Worm Wheel/Gear
11	Transmission Plate	32	Retainer Pin	70	Rear Casing
12	Transmission Plate	33	Spring	70	Rear Casing
13	Drive Shaft	34	Pressing Plate	71	Rear Panel
14	Gear Mech	35	Transmission Support	72	Handle-shifter
15	Hood	36	Bearing	73	Crank Lever
16	Nut	38	Circlips for Shaft	74	Connecting Rod
17	Pressing Plate	46	Bushing	75	Pillar
18	Plug Cover	47	Oil Seal	76	Clamp Plate
19	Cog	48	Locking Clamp	77	Clamp Plate
23	Main Shaft	49	Bowl Support	78	Spring
37	Spacer-Lower	50	Case	79	Micro Switch/Distance Switch
39	Ring Gasket	51	Nut	80	Overload Switch
40	Gear	52	Bearing	81	Power Cord
41	Bushing	53	Gear	82	Gland
42	Sleeve	54	Key	83	Contact Switch
43	Claw Gear	55	Circlips for Shaft	84	Capacitor
44	Washer	56	Gear	85	Start Capacitor
45	Bearing	57	Bushing	86	Rubber Pad and Screw
20	Declutch Shift Shaft	58	Gear		
21	Washer	59	Washer		

Exploded diagram and spare parts list

GJ461



Exploded diagram and spare parts list

GJ461

No.	Description	No.	Description	No.	Description
1	Dough Hook	33	Top Hat Valve	67	Gear Shaft
2	Flat Beater	34	Flat Valve Cap	68	Gear
3	Wire Whip	35	Bearing	69	Bushing
4	Safety Guard	36	Spacer	70	Gear
5	Bowl	37	Gear	71	Gear
6	Upper Panel	39	Gear	72	Pressing Plate
7	Screw	40	Bushing	73	Spacer
8	Spring	41	Shaft Sleeve	74	Nut
9	Pin Shaft	42	Gear	75	Pressing Plate
10	Shifting Yoke	43	Clamping Plate	76	Bearing
11	Cam Gear	44	Bearing	77	Worm Gear
12	Transmission	45	Bushing	78	Key
13	Drive Shaft	46	Seal	79	Circlips
14	Gear Mech	47	Pillar	80	Circlips
15	Knob	48	Locking Clamp	81	Spacer
16	Extension Bar	49	Support	82	Motor
17	Attachment	50	Clamping Plate	83	Rubber
18	Overload	51	Nut	84	Green Button
19	Power Cable	52	Base	85	Red Button
20	Gland	53	Bearing	86	Crank
21	Contact	54	Transmission	87	Crank lever
22	Hood Ring	55	Key	88	Connecting
23	Circlips	56	Circlips	89	Spring
24	Planet Gear	57	Gear	90	Plate
25	Operating	58	Bushing	91	Clamping Plate
26	Bearing	59	Gear Box	92	Distance
27	Seal	60	Worm Wheel	93	Capacitor 1
28	Pin	61	Panel	94	Capacitor 2
29	Working Shaft	62	Casing	95	Switch
30	Shaft	63	Rear Panel	96	Spring
31	Pressing Plate	64	Internal Gear	97	Washer
32	Main Shaft	65	Switch Axle	98	Fin (left-hand
33	Nut	66	Seal	99	Fin (right-hand

Safety Tips



THE PLANETARY MIXER IS A DANGEROUS APPLIANCE AND MUST ONLY BE USED BY TRAINED PERSONNEL IN ACCORDANCE WITH THESE INSTRUCTIONS.

- Position on a flat, stable surface.
- A service agent/qualified technician should carry out installation and any repairs if required. Do not remove any components on this product.
- Consult Local and National Standards to comply with the following:
 - Health and Safety at Work Legislation
 - BS EN Codes of Practice
 - Fire Precautions
 - IEE Wiring Regulations
 - Building Regulations
- Always stand **BEHIND** the safety guard when operating the appliance.
- **DO NOT** place hands near the rotating attachments when in use. This can result in severe injury.
- **DO NOT** remove food from the appliance until the mixing attachments have come to a complete stop.
- **DO NOT** immerse the appliance in water.
- **DO NOT** attempt to mix items that this machine is not designed for. This can damage the mixing attachments.
- **DO NOT** use with a damaged mixing attachment.
- **DO NOT** bypass the safety interlocks.
- Always switch off and disconnect the power supply to the appliance when not in use.
- **NEVER** leave the appliance unattended when in use.
- The appliance is heavy. Take care when moving.

- This appliance must only be used in accordance with these instructions and by persons competent to do so.
- This appliance is not intended for use by persons (including children) with reduced physical, sensory or mental capabilities, or lack of experience and knowledge, unless they have been given supervision or instruction concerning use of the appliance by a person responsible for their safety.
- Keep all packaging away from children. Dispose of the packaging in accordance to the regulations of local authorities.
- If the power cord is damaged, it must be replaced by an BUFFALO agent or a recommended qualified technician in order to avoid a hazard.
- Never use accessories which are not recommended by the manufacturer. They could pose a safety risk to the user and might damage the appliance. Only use original parts and accessories.
- BUFFALO recommend that this appliance should be periodically tested (at least annually) by a Competent Person. Testing should include, but not be limited to: Visual Inspection, Polarity Test, Earth Continuity, Insulation Continuity and Functional Testing.
- BUFFALO recommend that this product is connected to a circuit protected by an appropriate RCD (Residual Current Device).

Product Description

GL190 - 9 litre planetary mixer

GL191 - 20 litre planetary mixer

GJ461 - 29 litre planetary mixer

The BUFFALO Planetary Mixer is a free standing machine that consists of a large bowl mounted below a motor and gearbox arrangement to which a mixing tool can be attached.

Introduction

The BUFFALO Planetary Mixer has been designed to mix a range of foodstuffs, varying from cream to dough.

Please take a few moments to carefully read through this manual. Correct maintenance and operation of this machine will provide the best possible performance from your BUFFALO product.

Pack Contents

The following is included:

- BUFFALO Planetary Mixer
- Mixing Bowl
- Spiral Dough Hook
- Beater
- Whisk
- Instruction Manual

BUFFALO prides itself on quality and service, ensuring that at the time of packaging the contents are supplied fully functional and free of damage. Should you find any damage as a result of transit, please contact your BUFFALO dealer immediately.

Installation

- Ensure the location of the Planetary Mixer is capable of supporting its weight.

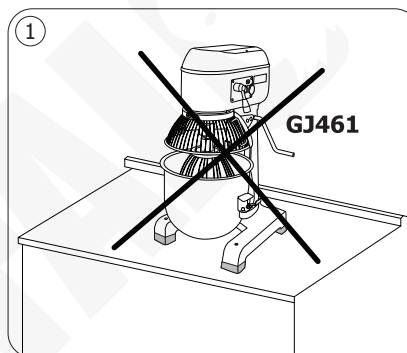


WARNING: The Planetary Mixer is very heavy, care must be taken when moving it.

- If the appliance is intended to be positioned on a worktop, please ensure it is secured in position (for GL190, GL191).



Floor Standing only with mixer GJ461! Do not place it on any worktop due to its heavy weight. In addition, it may vibrate intensely on the worktop during use, fall from it and result in personal/property damage.



Assembly



WARNING: The bowl must be attached and raised into position prior to starting the Planetary Mixer.

- BUFFALO accept no responsibility for any injury caused by incorrect assembly of this appliance.



Note: Ensure the feet are level to reduce vibration during operation.

- Remove the appliance from all packaging.

How to install the rubber feet

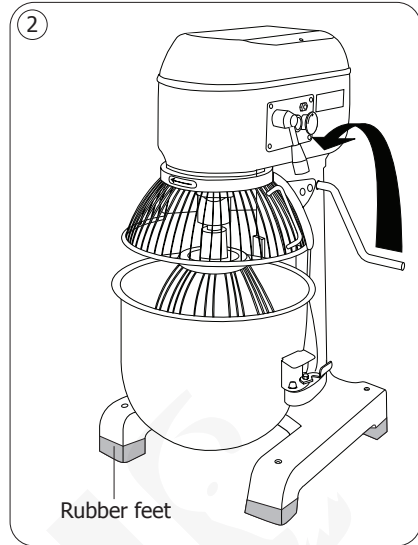
1. Remove all packaging from the appliance.
2. Remove the wooden pallet from the machine (Loosen the four bolts at the bottom of the wooden pallet).
3. Take out the rubber feet from the bowl
4. Add the rubber feet to the feet of the machine.



Note: A minimum of two people should be used to install the rubber feet.



Note: Once the rubber feet have been installed, ensure the machine is stable.



The type of rubber feet

			GL190
			GL191
		GJ461	

Fitting/Removing the Bowl

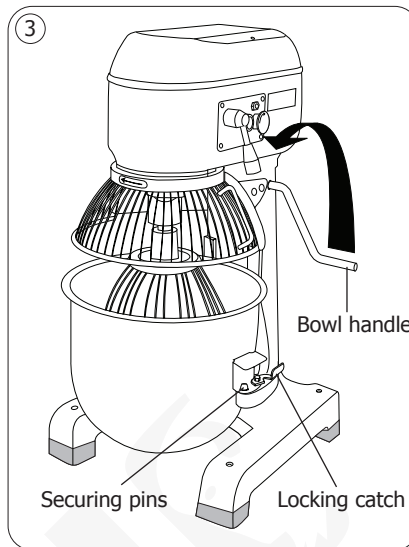
1. Turn Off the appliance.
2. Open the safety guard by turning it to the left (GL190 & GL191) or lifting it above the mixer (GJ461).
3. Lower the bowl with the bowl handle.
4. Release the locking catches either side of the bowl.
5. Lift the bowl. The bowl is held in place by two pins securing the handles to the cradle and a hole at the back of the appliance which houses the lug on the bowl lip.
6. Reverse the procedure to fit the bowl.



Note: Ensure the handle is fully pushed back and the bowl is completely raised or the mixer will not work.






Note: Regularly grease the bowl lift mechanism to ensure smooth operation.



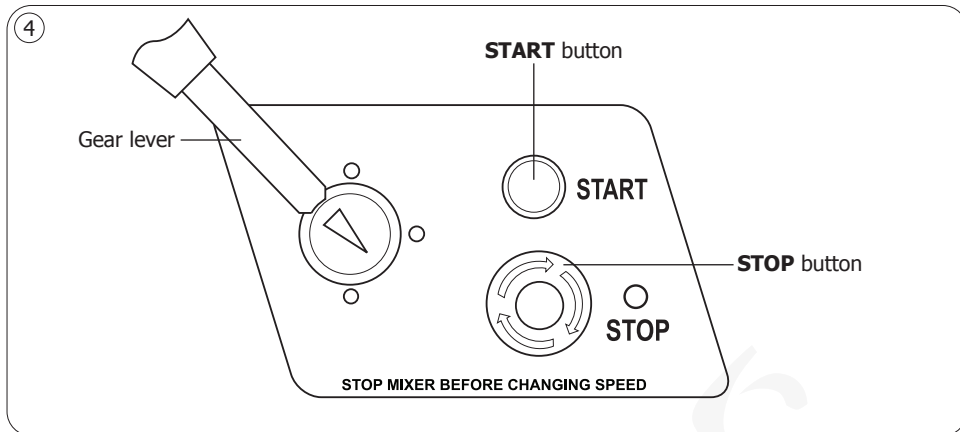
Changing the Mixer Attachment

1. Turn Off the appliance.
2. Open the safety guard by turning it to the left (GL190 & GL191) or lifting it above the mixer (GJ461).
3. Lower the bowl with the bowl handle.
4. Push the mixer attachment up and to the left to release it.
5. Insert the desired attachment. Push up and to the right to lock it into place.
6. Raise the bowl.

BUFFALO recommend the following uses for each attachment:

	Spiral Dough hook	Heavy mixes dough, pie pastry etc.	Suitable Gears: 1 Slow
	Beater	Firm mixes light pastry, cake/biscuit mix, icings, fillings and mashed vegetables	Suitable Gears: 1, 2 Medium
	Whisk	Light mixes whipped cream, mayonnaise, egg whites, pancakes and soufflés	Suitable Gears: 1, 2, 3 Fast

Layout of Controls



START button - Press to start the mixer.

STOP button - Press to stop the mixer. Twist clockwise to release and reset (GJ461 only).

GEAR LEVER - Use to adjust the speed of the mixer.

Operation



- **Note:** Ensure that these instructions have been read thoroughly and the operation of the appliance is fully understood before use.
- **All personnel must be fully trained on the operation and safety precautions of the Planetary Mixer.**

Mixing



WARNING: Always ensure the appliance is turned off before placing hands in the mixing bowl.

1. Open the safety guard.
2. Fill the bowl.
3. Select the desired speed and close the guard.



- **Note:** BUFFALO recommend that you start with the slowest speed and increase the speed gradually as necessary.
- **Ensure the safety guard is fully closed or the mixer will not work.**

4. Press the START button to begin mixing.



Note: If the appliance is straining to mix then turn the appliance Off and remove some of the contents of the bowl before restarting.

Mixing Capacity

Model	Bowl Volume	Max Flour	Max Dough
GL190	9L	2kg	3.2kg
GL191	20L	5kg	8kg
GJ461	29L	7.5kg	11.3kg

Changing Mixing Speed



Note: ALWAYS stop the mixer before attempting to change the mixing speed.

With the appliance turned Off:

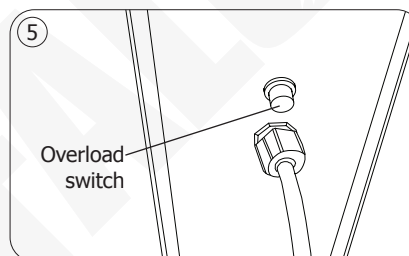
1. Select the required gear using the gear change lever.
2. Restart the appliance.

Overload Switch

The Overload switch is situated at the back of the machine beside the cable entry (**Note for GL190:** The Overload switch is on the base).

If the appliance becomes too hot the Overload switch will stop the machine automatically. If this happens:

1. Turn Off the mixer.
2. Reduce the load in the mixing bowl.
3. Push the Overload switch back in to reset it.
4. Allow the appliance to cool for 20 minutes.



Note:

- In the event of a power cut the Overload switch will cut in to prevent the appliance from restarting automatically when power is restored.
- Always disconnect the Planetary Mixer from the mains powers supply when not in use.

Cleaning, Care & Maintenance

- Always turn off the mixer and disconnect from the power supply before cleaning.
- Use warm soapy water to clean the bowl and mixing attachments. Do not use abrasive cleaning chemicals as these can leave harmful residues.
- Clean the exterior of the appliance with a damp cloth.
- Dry all parts thoroughly after cleaning.
- Do not use jet/pressure washers to clean the appliance.
- Clean the appliance regularly.

Troubleshooting

If your BUFFALO appliance develops a fault, please check the following table before making a call to the Helpline or your BUFFALO dealer.

Fault	Probable Cause	Solution
The appliance is not working	The unit is not switched on	Check the unit is plugged in correctly and switched on
	The Stop button not released (GJ461)	Turn button clockwise to release
	Plug or lead is damaged	Call BUFFALO agent or qualified Technician
	Fuse in the plug has blown	Replace the fuse
	Power supply	Check power supply
	The overload switch has activated	See overload switch information in the Operation section of this manual
	Safety Guard not closed	Close Safety Guard fully
	Appliance not in gear	Put in gear
	Bowl not fully raised	Ensure the Bowl lever is pushed back fully
Bowl will not fit back in to place	Bowl pins or surrounding area clogged with mix	Clean the appliance
The appliance is overheating	The mixing bowl is overloaded	Turn off the appliance and empty some of the contents
	The appliance has been operating for too long	Turn off the appliance and allow to cool down for 30 minutes
The appliance is noisy	Bowl or mixing attachment not correctly fitted	Remove and refit bowl/mixing attachment
	Worn bearings/damaged gears	Call BUFFALO agent or qualified Technician
	Grease has dried up in the gearbox	Call BUFFALO agent or qualified Technician
The mixing attachment fails to rotate properly	The belt has become loose	Call BUFFALO agent or qualified Technician
Cannot select gear	Gearing cogs misaligned	Turn Off appliance and manually turn the whisk attachment slightly. Select the gear again.

Technical Specifications

Model	Voltage	Power	Current	Dimensions H x W x D mm	Weight (kg)	Bowl Volume
GL190	220-240V 50Hz	550W	1.8A	610 x 395 x 395	36kg	9L
GL191	220-240V 50Hz	1100W	4.7A	794 x 555 x 558	64kg	20L
GJ461	220-240V 50Hz	1500W	6.5A	1142 x 579 x 611	160kg	29L

Electrical Wiring GL190, GL191

This appliance is supplied with a 3 pin BS1363 plug and lead

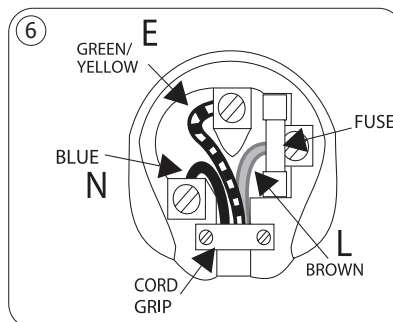
The plug is to be connected to a suitable mains socket.

This appliance is wired as follows:

- Live wire (coloured brown) to terminal marked L
- Neutral wire (coloured blue) to terminal marked N
- Earth wire (coloured green/yellow) to terminal marked E

This appliance must be earthed.

If in doubt consult a qualified electrician.



Electrical isolation points must be kept clear of any obstructions. In the event of any emergency disconnection being required they must be readily accessible.

Electrical Wiring GJ461

GJ461 is supplied unplugged and requires hardwiring to a suitable electrical power supply with a 16 amp rated fuse.

This appliance is wired as follows:

- Live wire (coloured brown) to terminal marked L
- Neutral wire (coloured blue) to terminal marked N
- Earth wire (coloured green/yellow) to terminal marked E

This appliance must be earthed.

Electrical isolation points must be kept clear of any obstructions. In the event of any emergency disconnection being required they must be readily accessible.

Connection to a suitable power supply should only be carried out by a qualified and competent electrical engineer.

Compliance

The WEEE logo on this product or its documentation indicates that the product must not be disposed of as household waste. To help prevent possible harm to human health and/or the environment, the product must be disposed of in an approved and environmentally safe recycling process. For further information on how to dispose of this product correctly, contact the product supplier, or the local authority responsible for waste disposal in your area.



BUFFALO parts have undergone strict product testing in order to comply with regulatory standards and specifications set by international, independent, and federal authorities.

BUFFALO products have been approved to carry the following symbol:



All rights reserved. No part of these instructions may be produced or transmitted in any form or by any means, electronic, mechanical, photocopying, recording or otherwise, without the prior written permission of BUFFALO. Every effort is made to ensure all details are correct at the time of going to press, however, BUFFALO reserve the right to change specifications without notice.

Veiligheidstips



DIT APPARAAT MAG UITSLUITEND IN OVEREENSTEMMING MET DEZE INSTRUCTIES EN DOOR COMPETENTE PERSONEN WORDEN GEBRUIKT.

- Plaatsen op een vlakke en stabiele ondergrond.
- De installatie en eventuele reparaties dienen door een gekwalificeerde onderhoudsmonteur/vakman uitgevoerd te worden. Verwijder geen componenten of servicepanelen van dit product.
- Raadpleeg en volg de plaatselijke en nationale regelgeving op m.b.t. tot het volgende:
 - Wetgeving van gezondheid en veiligheid op de werkplaats
 - Werkregels
 - Brandpreventie
 - IEE-bedradingsvoorschriften
 - Bouwvoorschriften
- Ga altijd **ACHTER** de veiligheidsscherm staan wanneer u het apparaat gebruikt.
- Bij gebruik, plaats uw handen **NIET** in de buurt van draaiende componenten. Dit kan ernstig letsel veroorzaken.
- Verwijder **GEEN** voedsel uit het apparaat voordat alle mengcomponenten volledig tot stilstand zijn gekomen.
- Dit apparaat **NIET** in water dompelen.
- Probeer **NIET** items te mengen waarvoor dit apparaat niet ontworpen is. Dit kan de mengcomponenten beschadigen.
- Gebruik het apparaat **NIET** met een beschadigd mengcomponent.
- Veiligheidsvergrendelingen **NIET** overbruggen.
- Laat het apparaat **NOOIT** zonder toezicht achter wanneer het in gebruik is.
- Het apparaat is zwaar. Wees zeer voorzichtig bij het verplaatsen van het apparaat.

- Dit apparaat is niet bedoeld voor gebruik door personen met lichamelijke, zintuiglijke of mentale beperkingen (inclusief kinderen) of met gebrek aan ervaring of kennis, tenzij zij hierin worden begeleid of zijn opgeleid in het gebruik van het apparaat door een persoon, die verantwoordelijk is voor hun veiligheid.
- Laat verpakkingsmateriaal niet binnen handbereik van kinderen. Verpakkingsmateriaal in overeenstemming met de regelgeving van de plaatselijke overheden als afval laten verwerken.
- Indien de stroomkabel beschadigd raakt, dient men deze door een BUFFALO-monteur of aanbevolen vakman te laten vervangen om gevaarlijke situaties te voorkomen.
- Gebruik nooit accessoires die niet door de fabrikant worden aangeraden. Zij zouden een veiligheidsrisico kunnen vormen en het apparaat kunnen beschadigen. Gebruik alleen originele onderdelen en accessoires.
- BUFFALO beveelt aan dat dit apparaat periodiek (minstens jaarlijks) door een bevoegde persoon wordt getest. Tests moeten omvatten, maar zijn niet beperkt tot: visuele inspectie, polariteit, aardings continuïteit, isolatie continuïteit en functionele test.

Productbeschrijving

GL190 - Planetaire Mixer 9 liter

GL191 - Planetaire Mixer 20 liter

GJ461 - Planetaire Mixer 29 liter

De BUFFALO planetaire mixer is een vrijstaande machine en bestaat uit een grote kom gemonteerd onder een motor en een versnellingsinrichting waaraan een mixing-tool kan worden bevestigd.

Inleiding

De BUFFALO planetaire mixer is ontworpen voor het mixen van een grote verscheidenheid aan voedingsmiddelen, variërend van slagroom tot deeg.

Neem de tijd om deze handleiding aandachtig door te lezen. Correct gebruik en onderhoud van deze machine waarborgt de beste prestatie van uw Buffalo product.

Verpakkingsinhoud

De verpakking bevat het volgende:

- Buffalo Planetaire Mixer
- Mixkom
- Spiraalvormige deeghaak
- Klopper
- Garde
- Handleiding

BUFFALO is trots op de haar productkwaliteit en dienstverlening en controleer de inhoud van de verpakkingen, tijdens de verpakkingsfase, op functionaliteit en schade.

Mocht u product door transport zijn beschadigd, neem dan onmiddellijk contact op met uw BUFFALO dealer.

Installatie

- Zorg dat de plaats waar de planetaire mixer staat het gewicht van de mixer kan dragen.

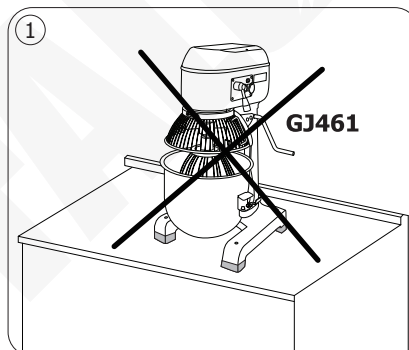


WAARSCHUWING: De planetaire mixer is zeer zwaar, dus wees voorzichtig bij het verplaatsen van het apparaat.

- Als het apparaat op een werkblad wordt geplaatst, zorg dat het in de stand is vastgezet (voor GL190, GL191).



Plaats de mixer GJ461 alleen op de vloer! Plaats het niet op een werkblad omwille van zijn zwaar gewicht. Bovendien kan het intens trillen op het werkblad tijdens gebruik leiden tot het vallen van het apparaat en persoonlijke / materiële schade.



Montage



WAARSCHUWING: voordat u de planetaire mixer start, moet de kom bevestigd zijn en in de verhoogde positie worden geplaatst.

- BUFFALO aanvaardt géén enkele verantwoordelijkheid voor enige vorm van letsel als gevolg van een onjuiste montage van het apparaat.



Opmerking: zorg dat de steunpoten genivelleerd staan om trillingen tijdens het gebruik te beperken.

- Haal het apparaat volledig uit de verpakking.

Hoe de rubberen voeten installeren

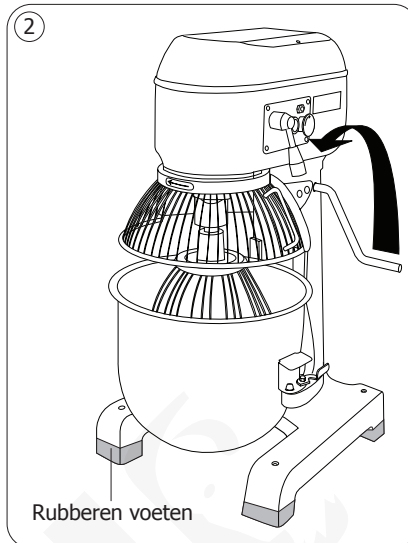
1. Verwijder alle verpakking van het toestel.
2. Verwijder de houten pallet van de machine (draai de vier bouten aan de onderkant van de houten pallet los).
3. Neem de rubberen voeten uit de kom
4. Bevestig de rubberen voeten aan de voeten van de machine.



Opmerking: Er zijn minstens twee personen nodig om de rubberen voeten te installeren.



Opmerking: Na het installeren van de rubberen voeten, controleer of de machine stabiel staat.



Het type van rubberen voeten

			GL190
			GL191
			GJ461

Plaatsen/verwijderen van de mengkom

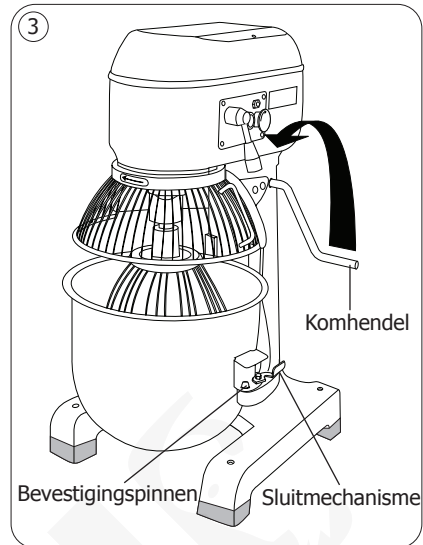
1. Zet het apparaat uit.
2. Open de veiligheidskap door deze naar links te draaien.
3. Laat de mengkom met de komhendel zakken.
4. Maak de sluitmechanismen aan beide zijden van de mengkom los.
5. Til de kom op. De mengkom wordt op zijn plaats gehouden met behulp van twee pinnen die de hendels aan de steun bevestigen en met een opening aan de achterzijde van het apparaat die het uitsteeksel aan de komrand behuist.
6. Voer de procedure in omgekeerde volgorde uit om de mengkom te plaatsen.



Opmerking: controleer of de hendel volledig naar achteren staat en de mengkom volledig in de bovenste positie staat, anders zal de mixer niet werken.






Opmerking: Regelmatig vet het mechanisme van de komlift om vlotte verrichting te verzekeren.



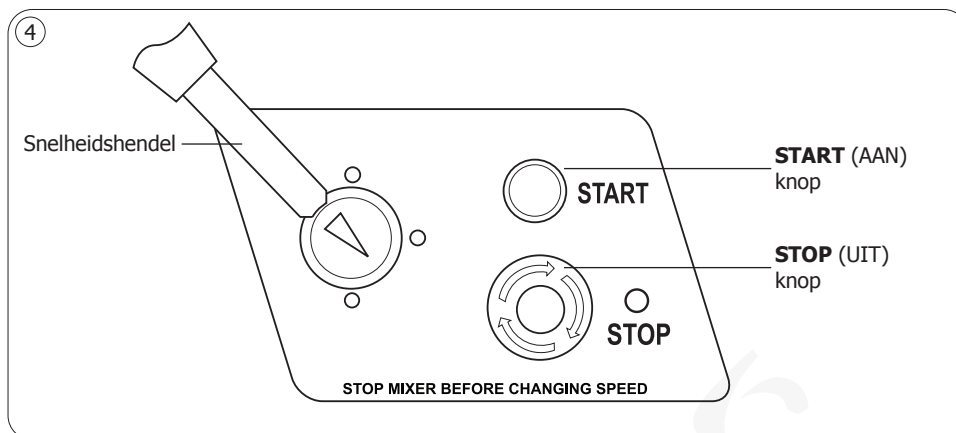
Hulpstuk van de mixer verwisselen

1. Zet het apparaat uit.
2. Open de veiligheidskap door deze naar links te draaien (GL190 & GL191) of door deze van de mixer te tillen (GJ461).
3. Laat de mengkom met de komhendel zakken.
4. Om het hulpstuk van de mixer te halen duwt u deze omhoog en naar links.
5. Plaats het gewenste hulpstuk. Om het hulpstuk te bevestigen duwt uw deze omhoog en naar rechts.
6. Breng de kom omhoog.

BUFFALO raadt het volgende gebruik voor de desbetreffende hulpstukken aan:

	Spiraalvormige deeghaak	Zware mengsels deeg, gebak, etc.	Geschikte snelheden: 1
	Klopper	Stevige mengsels licht gebak, cake/koekjes, glazuur, vulling en pureren van groentes	Geschikte snelheden: 1, 2
	Garde	Lichte mengsels kloppen van room, mayonaise, eiwitten, pannenkoeken en soufflés	Geschikte snelheden: 1, 2, 3

Indeling van de bedieningsknoppen



START (AAN) knop - Indrukken om de mixer te starten.

STOP (UIT) knop - Indrukken om de mixer te stoppen. Met de klok mee draaien om de knop te ontgrendelen en te resetten (alleen GJ461).

SNELHEIDSHENDEL - Om de snelheid van de mixer te regelen.

Bediening



- **Opmerking: zorg vóór gebruik dat deze aanwijzingen aandachtig zijn doorgelezen en dat men de werking van het apparaat volledig begrijpt.**
- **Al het personeel moet volledig zijn opgeleid in de werking en de veiligheidsmaatregelen van de planetaire mixer**

Mixen



WAARSCHUWING: controleer altijd of het apparaat uitstaat alvorens uw handen in de mengkom te plaatsen.

1. Open de veiligheidskap.
2. Vul de mengkom.
3. Kies de gewenste snelheid en sluit de veiligheidskap.



- **Opmerking: BUFFALO raadt aan om met de langzaamste snelheid te starten en geleidelijk de snelheid, naar wens, op te voeren.**
- **Controleer of de veiligheidskap goed gesloten is, anders zal de mixer niet werken.**

4. Druk op de START-knop om met het mixen te starten.



Opmerking: wanneer het apparaat moeizaam werkt, zet het apparaat dan uit en verwijder een deel van de inhoud alvorens het apparaat opnieuw te starten.

Het mengen van capaciteit

Model	Komgrootte	Maximum Bloem	Maximun Deeg
GL190	9L	2kg	3.2kg
GL191	20L	5kg	8kg
GJ461	29L	7.5kg	11.3kg

Mixsnelheid veranderen



Opmerking: ALTIJD eerst de mixer stopzetten alvorens de mixsnelheid te veranderen.

Met de mixer uit:

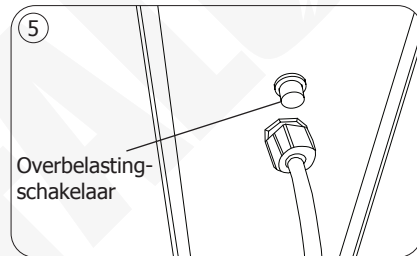
1. Selecteer de gewenste snelheid met behulp van de snelheidshendel.
2. Herstart het apparaat.

Overbelastingschakelaar

De overbelastingschakelaar ('Overload') bevindt zich aan de achterzijde van de machine naast de kabelinvoer (**Opmerking voor GL190:** de overbelastingschakelaar bevindt zich op de basis).

Wanneer het apparaat te warm wordt, schakelt de overbelastingschakelaar het apparaat automatisch uit. Wanneer dit gebeurt:

1. Zet de mixer uit.
2. Haal een deel van de inhoud uit de mengkom.
3. Duw de overbelastingschakelaar in om het apparaat te resetten.
4. Laat het apparaat gedurende 20 minuten afkoelen.



Opmerking: Bij een stroomuitval zal de overbelastingschakelaar het apparaat uitschakelen zodat bij herstel van de stroomvoorziening het apparaat niet automatisch wordt ingeschakeld.

Wanneer u de planetaire mixer niet gebruikt, ontkoppel het dan altijd van de stroomvoorziening.

Reiniging, zorg & onderhoud

- Alvorens de mixer te reinigen dient men de steker uit het stopcontact te halen.
- Gebruik altijd warm zeepwater voor de reiniging van de kom en mengschroef. Gebruik géén bijtende chemische reinigingsmiddelen aangezien deze schadelijke resten achterlaten.
- Dit product niet met spuit-/drukreinigers reinigen.
- Reinig de buitenkant van het apparaat met een vochtige doek.
- BUFFALO raadt aan om de ketting en de spanningsriem om de twaalf maanden door een BUFFALO technicus of vaktechnicus te laten smeren respectievelijk te controleren.
- Reinig het apparaat regelmatig.

Oplossen van problemen

Indien er een storing van uw BUFFALO product optreedt, dient u de onderstaande tabel te raadplegen alvorens contact op te nemen met uw BUFFALO dealer of de Hulplijn te bellen.

Probleem	Mogelijke oorzaak	Handeling
Het apparaat werkt niet	Het apparaat staat uit	Controleer of de stroomkabel van het apparaat is aangesloten en of het apparaat is ingeschakeld
	De stopknop niet ontgrendeld (GJ461)	Draai de knop naar rechts om deze te ontgrendelen
	Steker en kabel zijn beschadigd	Laat een Buffalo-monteur of een vakman komen
	Stroomvoorziening	Controleer de stroomvoorziening
	Storing interne bedrading	Laat een Buffalo-monteur of een vakman komen
	De overbelastingschakelaar is geactiveerd	Raadpleeg de informatie over de overbelastingschakelaar in het hoofdstuk Werking in deze handleiding.
	Veiligheidskap is niet gesloten	Sluit de veiligheidskap volledig
	Geen snelheid geselecteerd	Selecteer een mixsnelheid
De mengkom kan niet worden geplaatst	Mengkom niet in de hoogste stand	Controleer of de mengkomhendel volledig naar achteren staat
	De mengkompinnen of bevestigingsdelen zijn vuil	Reinig het apparaat
Het apparaat raakt oververhit	De mengkom is te vol	Zet het apparaat uit en verwijder een deel van de inhoud
	Het apparaat is te lang achter elkaar gebruikt	Zet het apparaat uit en laat deze gedurende 30 minuten afkoelen
Het apparaat maakt veel lawaai	Kom of mengopzetstuk niet correct gemonteerd	Verwijder en plaats de mengkom/het mengopzetstuk opnieuw
	Versleten lagers / beschadigde tandwielen	Laat een Buffalo-monteur of een vakman komen
	Smeermiddel is opgedroogd in de versnellingsbak	Laat een Buffalo-monteur of een vakman komen
De klopper draait niet op de juiste wijze	De ketting zit los	Laat een Buffalo-monteur of een vakman komen
Kan geen snelheid selecteren	Wieltanden niet uitgelijnd	Zet het apparaat uit en draai voorzichtig de garde met de hand. Kies opnieuw een mixsnelheid

Technische specificaties

Model	Voltage	Vermogen	Stroom	Afmetingen h x b x d mm	Gewicht	Komgrootte
GL190	220-240V 50Hz	550W	1,8A	610 x 395 x 395	36kg	9L
GL191	220-240V 50Hz	1100W	4,7A	794 x 555 x 558	64kg	20L
GJ461	220-240V 50Hz	1500W	6,5A	1142 x 579 x 611	160kg	29L

Elektrische bedrading

Men dient de steker op een geschikt stopcontact aan te sluiten.

De bedrading van dit apparaat is als volgt:

- Stroomkabel (bruin) naar de aansluitklem gemarkeerd met L
- Neutraalkabel (blauw) naar de aansluitklem gemarkeerd met N
- Aardekabel (groen/geel) naar de aansluitklem gemarkeerd met E

Dit apparaat moet worden geaard.

Raadpleeg bij twijfel een vakkundige elektricien.

De elektrische isolatiepunten mogen niet worden geblokkeerd. In geval van een nooduitschakeling moeten de isolatiepunten direct toegankelijk zijn.

Productconformiteit

Het WEEE-logo op dit product of bijbehorende documentatie geeft aan dat het product niet onder huisvuil valt en ook niet als zodanig mag worden verwerkt. Ter preventie van mogelijke gevaren voor de gezondheid van personen en/of voor het milieu, dient men dit product in overeenstemming met het voorgeschreven en milieuveilige recyclingproces als afval te verwerken. Neem contact op met uw productleverancier of uw plaatselijke afvalverwerkingsbedrijf voor meer informatie over de juiste verwerking van dit product.



De onderdelen van BUFFALO-producten hebben strenge producttesten ondergaan om te voldoen aan wettelijke regels en specificaties die door internationale, onafhankelijke en landelijke overheden worden voorgeschreven.



BUFFALO-producten zijn goedgekeurd en voorzien van het volgende symbool:

Alle rechten voorbehouden. Het is verboden om deze handleiding, hetzij volledig of gedeeltelijk, elektronisch of mechanisch te reproduceren, kopiëren, op opslagmedia op te slaan of op enigerlei wijze over te dragen, zonder voorafgaande goedkeuring van BUFFALO.

Wij hebben er alles aan gedaan om er zeker van te zijn dat op publicatiedatum van de handleiding alle details correct zijn. BUFFALO behoudt zich echter het recht om specificaties zonder aankondiging te wijzigen.

Conseils de sécurité



L'utilisation de cet appareil est exclusivement réservée aux personnes formées en la matière et doit se conformer à ces instructions.

- Placez l'appareil sur une surface plane, stable.
- L'installation et les éventuelles réparations doivent être confiées à un dépanneur / technicien qualifié.
- Ne retirez aucun composant ou cache de ce produit.
- Consultez les normes locales et nationales pour vous conformer aux :
 - lois sur l'hygiène et la sécurité au travail ;
 - codes de bonnes pratiques BS EN ;
 - précautions contre le risque d'incendie ;
 - réglementations sur les branchements électriques IEE ;
 - règlements sur la construction.
- Cet appareil n'a pas été conçu pour être utilisé par des personnes (enfants inclus) à capacités physiques, sensorielles ou mentales réduites ou ne disposant pas d'une expérience ou de connaissances suffisantes, à moins que lesdites personnes n'aient été formées ou instruites quant à son utilisation, par une personne responsable de leur sécurité
- Gardez les emballages hors de portée des enfants. Débarrassez-vous des emballages conformément aux règlements des autorités locales.
- Un cordon d'alimentation endommagé doit être remplacé par un agent BUFFALO ou un technicien qualifié recommandé, pour éviter tout danger.
- Utilisez toujours l'appareil en vous tenant DERRIÈRE son dispositif de sécurité.

- NE PAS placer les mains près des accessoires rotatifs de l'appareil en service. Risque de blessures graves.
- NE PAS retirer des aliments de l'appareil tant que les accessoires mélangueurs ne sont pas parfaitement immobiles.
- NE PAS immerger l'appareil.
- NE PAS essayer de mélanger des ingrédients pour lesquels cet appareil n'a pas été conçu. Vous risqueriez d'endommager les accessoires mélangueurs.
- NE PAS utiliser un accessoire mélangeur endommagé.
- NE PAS tenter de contourner les mécanismes de verrouillage de sécurité.
- NE JAMAIS laisser l'appareil tourner sans surveillance.
- L'appareil est lourd. Déplacez-le prudemment.
- N'utilisez jamais d'accessoires non recommandés par le fabricant. Ces accessoires pourraient exposer l'utilisateur à des risques, voire endommager l'appareil. Utilisez uniquement des pièces et accessoires d'origine.
- BUFFALO recommande de faire tester régulièrement cet appareil (une fois par an au minimum) par une personne compétente. Le test devrait inclure, entre autres : inspection visuelle, test de polarité, la continuité de masse (équipement de classe I), test d'isolation et test de fonctionnement.

Description du Produit

GL190 - Batteur mélangeur 9 litres

GL191 - Batteur mélangeur 20 litres

GJ461 - Batteur mélangeur 29 litres

Le Mélangeur à mouvement planétaire BUFFALO est une machine sur pied composée d'un grand bol monté sous un ensemble moteur / boîte à engrenages, auquel un outil mélangeur peut être relié.

Introduction

Le Mélangeur à mouvement planétaire BUFFALO a été conçu pour mélanger des denrées alimentaires diverses, de la crème aux pâtes.

Nous vous invitons à consacrer quelques instants à la lecture attentive de ce manuel. L'entretien et l'utilisation appropriés de cet appareil vous permettront de tirer le meilleur de votre produit BUFFALO.

Contenu de l'emballage

Éléments fournis de série :

- Batteur mélangeur Buffalo
- Bol de mélange
- Crochet à pâte
- Palette
- Fouet
- Mode d'emploi

BUFFALO attache une grande importance à la qualité et au service et veille à fournir des produits en parfait état opérationnel, parfaitement intacts au moment de l'emballage. Nous vous prions de contacter votre revendeur BUFFALO immédiatement si vous constatez un dommage quelconque survenu pendant le transport du produit.

Installation

- Veillez à poser le Mixeur à mouvement planétaire sur une surface assez solide pour en supporter le poids.

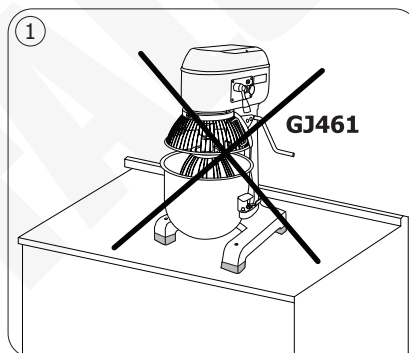


ATTENTION : Le Mixeur à mouvement planétaire est très lourd. Il convient de faire très attention lorsque vous le déplacez.

- Si vous comptez placer l'appareil sur un plan de travail, veuillez-vous assurer qu'il est solidement en place (pour les modèles GL190, GL191).



Pose sur le sol possible uniquement avec le mixeur GJ461 ! Ne pas le placer sur un plan de travail en raison de son poids lourd. En outre, il peut vibrer intensément sur le plan de travail en cours d'utilisation, tomber de celui-ci et entraîner des blessures corporelles/ dommages matériels.



Montage



ATTENTION : Veillez à installer le bol et à le remonter avant de démarrer le Mélangeur à mouvement planétaire.

- BUFFALO décline toute responsabilité en cas de blessure consécutive à l'assemblage incorrect de cet appareil.



Remarque : Veillez à bien monter les pieds de niveau, pour réduire les vibrations pendant le fonctionnement de l'appareil.

- Sortez l'appareil de l'emballage.

Comment installer les pieds en caoutchouc

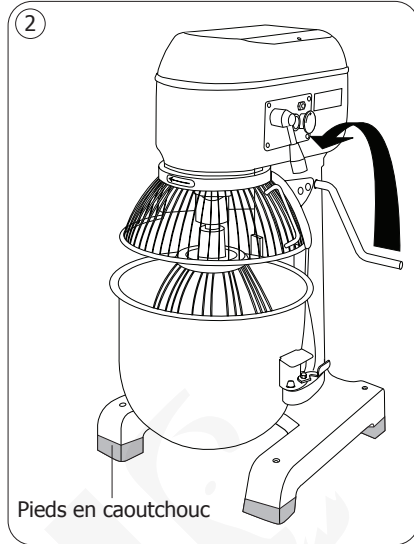
1. Retirez tout l'emballage de l'appareil.
2. Retirez la palette en bois de la machine (Desserrer les quatre boulons du fond de la palette en bois).
3. Sortez les pieds en caoutchouc du bol.
4. Ajoutez les pieds en caoutchouc aux pieds de la machine.



Remarque: L'installation des pieds en caoutchouc doit être effectuée au moins par deux personnes.



Remarque: Une fois les pieds en caoutchouc installés, assurez-vous que la machine est stable.



Type de pieds en caoutchouc

			GL190
			GL191
		GJ461	

Montage / retrait de la cuve

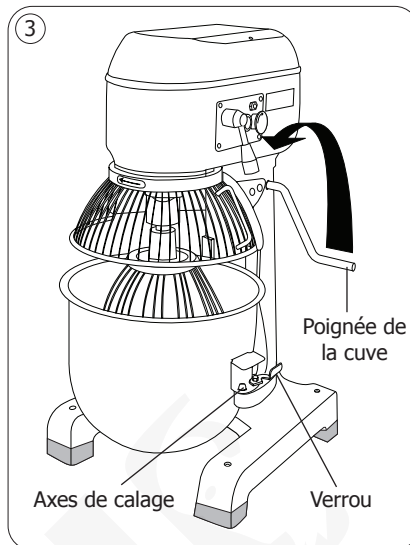
1. Éteignez l'appareil.
2. Ouvrez le capot de protection en le faisant pivoter vers la gauche (GL190 & GL191) ou en le levant au-dessus du mélangeur (GJ461).
3. Baissez la cuve par la poignée.
4. Libérez les verrous de part et d'autre de la cuve.
5. Remontez la cuve. Le calage de la cuve est assuré par deux axes qui bloquent les poignées contre le berceau et un trou situé à l'arrière de l'appareil, dans lequel s'insère la protubérance de laèvre de la cuve.
6. Pour le remontage de la cuve, inversez la procédure de retrait.



Remarque : Veillez à bien pousser la poignée à fond et à ce que la cuve soit complètement remontée ou le batteur mélangeur ne fonctionnera pas.






Remarque : Graissez régulièrement le mécanisme d'ascenseur de cuvette pour assurer le bon fonctionnement



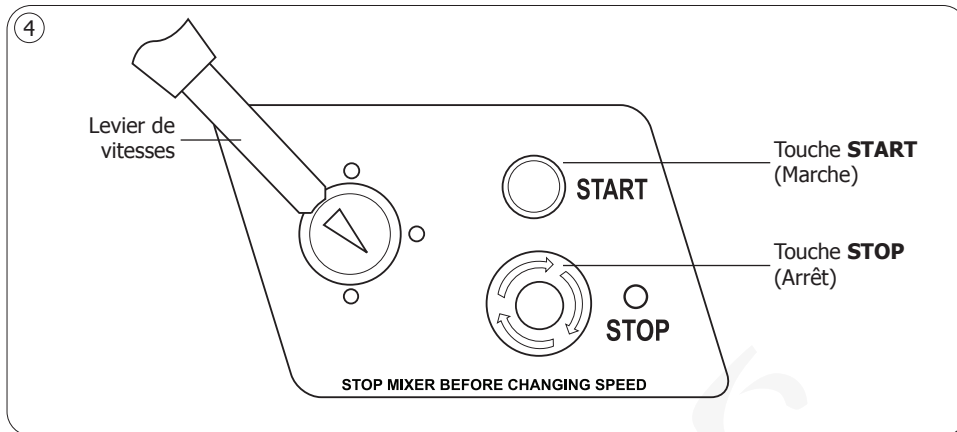
Pour changer d'accessoire

1. Éteignez l'appareil.
2. Ouvrez le capot de protection en le faisant pivoter vers la gauche (GL190 & GL191) ou en le levant au-dessus du mélangeur (GJ461).
3. Baissez la cuve par la poignée.
4. Poussez l'accessoire du batteur vers le haut puis vers la gauche pour le désengager.
5. Insérez l'accessoire qui convient. Poussez le vers le haut et vers la droite pour le caler.
6. Remontez la cuve.

BUFFALO préconise l'utilisation des accessoires suivants pour les applications correspondantes :

	Crochet à pâte à spirale	Mélanges épais pains, pâtes à tourtes, etc.	Vitesse(s) préconisée(s) : 1
	Palette	Mélanges fermes : pâtes légères, appareil à gâteaux / biscuits, glaçages, garnitures et purées de légumes	Vitesse(s) préconisée(s) : 1, 2
	Fouet	Mélanges légers : crème fouettée, mayonnaise, blancs d'oeuf, crêpes et soufflés	Vitesse(s) préconisée(s) : 1, 2, 3

Agencement des commandes



Touche **START (Marche)** : Appuyez dessus pour démarrer le mixeur.

Touche **STOP (Arrêt)** : Appuyez dessus pour arrêter le mixeur. Faites-la tourner dans le sens des aiguilles d'une montre pour relâcher et réinitialiser (modèle GJ461 exclusivement).

LEVIER DE VITESSES : Sert à régler la vitesse du mixeur.

Utilisation



- **Remarque : Veillez à bien lire ces consignes et à ce que le fonctionnement de cet appareil soit bien compris avant de l'utiliser.**
- **Le personnel doit être entièrement formé à l'utilisation et aux consignes de sécurité du Mélangeur à mouvement planétaire.**

Malaxage



AVERTISSEMENT : Veillez à bien éteindre la machine avant de mettre les mains dans la cuve de malaxage.

1. Ouvrez l'écran de sécurité.
2. Remplissez la cuve.
3. Sélectionnez la vitesse qui convient et refermez l'écran de sécurité.



- **Remarque : BUFFALO vous recommande de commencer à la première vitesse et d'augmenter la vitesse progressivement si nécessaire.**
- **Veillez à ce que l'écran de sécurité soit entièrement fermé ou le batteur mélangeur ne fonctionnera pas.**

4. Appuyez sur le bouton START (Démarrer) pour amorcer le mélange.



Remarque : Si l'appareil a du mal à mélanger les ingrédients, éteignez-le et délester-le d'une partie du contenu de la cuve avant de le remettre en service.

Capacité de mélange

Modèle	Capacité de la cuve	Farine Maximum	Pâte Maximum
GL190	9L	2kg	3,2kg
GL191	20L	5kg	8kg
GJ461	29L	7,5kg	11,3kg

Pour changer la vitesse de malaxage



Remarque : Veillez à TOUJOURS arrêter le batteur avant de changer la vitesse de malaxage.

Une fois l'appareil éteint :

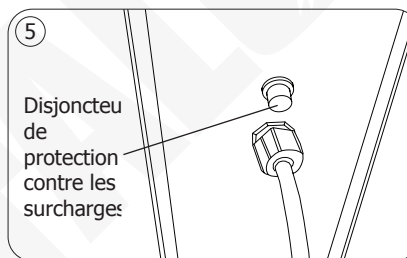
1. Sélectionnez la vitesse qui convient, à l'aide du levier de changement de vitesses.
2. Faites redémarrer l'appareil.

Disjoncteur de protection contre les surcharges

Le disjoncteur de protection contre les surcharges est situé au dos de la machine, près de l'entrée de câble (**Remarque concernant le modèle GL190** : le disjoncteur de protection contre les surcharges se situe sur le socle).

En cas de surchauffe de l'appareil, le disjoncteur de protection contre les surcharges met hors tension automatiquement la machine. Dans un tel cas de figure :

1. Mettez hors tension le mixeur.
2. Videz une partie du contenu de la carafe de mixage.
3. Appuyez à nouveau sur le disjoncteur de protection contre les surcharges pour le réinitialiser.
4. Laissez refroidir l'appareil pendant 20 minutes.



Remarque : En cas de coupure de courant, le disjoncteur de protection contre les surcharges intervient pour empêcher l'appareil de redémarrer automatiquement lorsque le courant est rétabli.

Débranchez toujours le Mixeur à mouvement planétaire de la source d'alimentation lorsque vous ne l'utilisez pas.

Nettoyage, entretien et maintenance

- Éteignez le batteur et débranchez l'appareil de la prise secteur avant de le nettoyer.
- La cuve et la vis de pétrissage se nettoient à l'eau tiède savonneuse. N'utilisez pas de produits chimiques abrasifs, qui risquent de laisser des résidus.
- Ne nettoyez pas l'appareil à l'aide d'un nettoyeur à jet / haute pression.
- Nettoyez l'extérieur de l'appareil à l'aide d'un torchon humide.
- BUFFALO préconise le graissage de la chaîne et la vérification de la tension de la courroie tous les douze mois, opérations qu'elle vous conseille de confier à un agent BUFFALO ou à un technicien qualifié.
- Nettoyez régulièrement l'appareil.

Dépannage

En cas de panne de votre appareil BUFFALO, vérifiez les données du tableau ci-dessous avant d'appeler notre standard d'assistance ou votre revendeur BUFFALO.

Dysfonctionnement	Cause probable	Intervention
L'appareil ne fonctionne pas	L'appareil n'est pas allumé	Vérifier que l'appareil est bien branché et allumé
	Bouton d'arrêt coincé (GJ461)	Faites pivoter le bouton dans le sens horaire pour le décoincer
	La prise et le cordon sont endommagés	Appeler un agent BUFFALO ou un technicien qualifié
	Alimentation	Vérifier l'alimentation
	Déclenchement de l'interrupteur de surcharge	voir l'information relative à l'interrupteur de surcharge à la rubrique Fonctionnement de ce mode d'emploi.
	Écran de sécurité ouvert	Fermer à fond l'écran de sécurité
	Vitesse mal engagée	Engrener une vitesse
La cuve n'est pas remontée à fond	Vérifier que le levier de la cuve est complètement repoussé	
Réinsertion de la cuve impossible	Les axes ou le tour des axes sont couverts de mélange	Nettoyer l'appareil
Surchauffe de l'appareil	Surcharge de la cuve de pétrissage	Éteindre l'appareil et en retirer une partie du contenu
	L'appareil tourne depuis trop longtemps	Éteindre l'appareil et le laisser refroidir pendant 30 minutes
L'appareil est bruyant	Bol ou accessoire de mixage mal monté	Retirez et remontez le bol / accessoire de mixage
	Roulements usés / engrenages endommagés	Appeler un agent BUFFALO ou un technicien qualifié
	La graisse a séché dans la boîte de vitesses	Appeler un agent BUFFALO ou un technicien qualifié
Le fouet tourne mal	Courroie desserrée	Appeler un agent BUFFALO ou un technicien qualifié
Sélection d'une vitesse impossible	Déboîtement des engrenages	Éteindre l'appareil et, à la main, faire légèrement pivoter le fouet. Sélectionner de nouveau la vitesse

Spécifications techniques

Modèle	Tension	Puissance	Courant	Dimensions h x l x l mm	Poids	Capacité de la cuve
GL190	220-240V 50Hz	550W	1,8A	610 x 395 x 395	36kg	9L
GL191	220-240V 50Hz	1100W	4,7A	794 x 555 x 558	64kg	20L
GJ461	220-240V 50Hz	1500W	6,5A	1142 x 579 x 611	160kg	29L

Raccordement électrique

La prise doit être reliée à la prise secteur qui convient.

Cet appareil est câblé comme suit :

- Fil conducteur (brun) à la borne marquée L
- Fil neutre (bleu) à la borne marquée N
- Fil de terre (vert / jaune) à la borne marquée E

Cet appareil doit être mis à la terre.

En cas de doute, consultez un électricien qualifié.

Les points d'isolation électrique doivent être libres de toute obstruction. En cas de débranchement requis en urgence, ils doivent être facilement accessibles.

Conformité

Le logo WEEE qui figure sur ce produit ou sa documentation indique qu'il ne doit pas être mis au rebut avec les ordures ménagères. Pour éviter qu'il ne présente un risque pour la santé humaine et / ou écologique, confiez la mise au rebut de ce produit à un site de recyclage agréé respectueux de l'environnement. Pour de plus amples détails sur la mise au rebut appropriée de ce produit, contactez le fournisseur du produit ou l'autorité responsable de l'enlèvement des ordures dans votre région.



Les pièces BUFFALO ont été soumises à des tests rigoureux pour pouvoir être déclarées conformes aux normes et spécifications réglementaires définies par les autorités internationales, indépendantes et fédérales.

Les produits BUFFALO ont été déclarés aptes à porter le symbole suivant :

Tous droits réservés. La production ou transmission, partielles ou intégrales, sous quelque forme que ce soit ou par n'importe quel moyen, tant électronique que mécanique, sous forme de photocopie, d'enregistrement ou autre de ce mode d'emploi sont interdites sans l'autorisation préalablement accordée par BUFFALO.

Nous nous efforçons, par tous les moyens dont nous disposons, de faire en sorte que les détails contenus dans le présent mode d'emploi soient corrects en date d'impression. Toutefois, BUFFALO se réserve le droit de changer les spécifications de ses produits sans préavis.

Sicherheitshinweise



Das Personal muss ausführlich im Betrieb und sicheren Gebrauch der Rührmaschine geschult werden.

- Auf eine flache, stabile Oberfläche stellen.
- Alle erforderlichen Montage- und Reparaturarbeiten sollten von Wartungspersonal oder einem qualifizierten Techniker durchgeführt werden. Keine Bauteile oder Bedienflächen von diesem Produkt entfernen.
- Für folgende Normen und Vorschriften sind die lokalen und nationalen Normen heranzuziehen:
 - Arbeitsschutzvorschriften
 - BS EN Verhaltenspraktiken
 - Brandschutzvorschriften
 - IEE-Anschlussvorschriften
 - Bauvorschriften
- Verpackungsmaterial außerhalb der Reichweite von Kindern aufbewahren und gemäß den lokalen Vorschriften entsorgen.
- Aus Sicherheitsgründen muss ein beschädigtes Stromkabel von einem BUFFALO-Mitarbeiter oder empfohlenen qualifizierten Elektriker erneuert werden.
- Dieses Gerät darf nur gemäß dieser Anleitung und von kompetenten Personen genutzt oder bedient werden
- Dieses Gerät sollte nur dann von Personen (einschließlich Kindern) mit reduzierten körperlichen, sensorischen oder geistigen Fähigkeiten, mangelnder Erfahrung oder Kenntnissen verwendet werden, wenn sie von einer für ihre Sicherheit verantwortlichen Person im Gebrauch des Geräts geschult wurden bzw. ständig beaufsichtigt werden.
- Während des Betriebs stets HINTER der Sicherheitsvorrichtung stehen.

- Hände während des Betriebs NICHT in die Nähe der Drehaufsätze halten. Dies könnte zu schweren Verletzungen führen.
- KEINE Lebensmittel aus dem Gerät nehmen, bis die Mixvorrichtung zu einem vollständigen Stillstand gekommen ist.
- Das Gerät NICHT in Wasser eintuachen.
- NICHT versuchen, Produkte zu mischen, für die dieses Gerät nicht ausgelegt ist. Dies könnte die Mixaufsätze beschädigen.
- KEINEN beschädigten Mixaufsatz verwenden.
- Die Sicherheitsvorrichtungen NICHT umgehen.
- Das Gerät während des Gebrauchs NIEMALS unbeaufsichtigt lassen.
- Das Gerät ist schwer. Vorsicht beim Transport.
- Die Benutzung von Zubehöerteilen, die vom Hersteller nicht ausdrücklich empfohlen werden, kann Verletzungen und Beschädigungen verursachen. Verwenden Sie deshalb nur Originalzubehör.
- BUFFALO empfiehlt, dass dieses Gerät regelmäßig (wenigstens jährlich) von einem Fachmann überprüft wird. Die Überprüfung sollte beinhalten, ohne darauf beschränkt zu sein: Visuelle Überprüfung, Polaritätstest, Erdungskontinuität (Klasse-1-Geräte), Isolationskontinuität und Funktionalitätsprüfung.

Produktbeschreibung

GL190 - Planetenrührmaschine, 9 Liter

GL191 - Planetenrührmaschine, 20 Liter

GJ461 - Planetenrührmaschine, 29 Liter

Die BUFFALO Rührmaschine ist ein unabhängiges Küchengerät. Die Rührschüssel befindet sich unter einer großen Motor-/Getriebeanlage, an der ein Mix-/Rührutensil angebracht ist.

Einführung

Die BUFFALO Rührmaschine kann die unterschiedlichsten Lebensmittel - von Sahne bis Teig - verrühren.

Bitte nehmen Sie sich einige Minuten Zeit und lesen Sie dieses Handbuch sorgfältig durch. Nur bei korrekter Wartung und vorschriftsgemäßem Betrieb kann Ihr BUFFALO-Produkt optimale Leistung erzielen.

Lieferumfang

Folgende Teile befinden sich in der Verpackung:

- Buffalo Planetenrührmaschine
- Rührschüssel
- Spiral-Knethaken
- Quirl
- Rührbesen
- Bedienungsanleitung

BUFFALO ist stolz auf die hochwertige Qualität seiner Produkte und seinen erstklassigen Service. Wir stellen sicher, dass alle gelieferten Produkte zum Zeitpunkt der Verpackung voll funktionsfähig sind und sich in einwandfreiem Zustand befinden.

Sollten Sie Transportschäden feststellen, wenden Sie sich bitte unverzüglich an Ihren BUFFALO-Händler.

Montage

- Achten Sie darauf, dass die Planetenrührmaschine an einem Ort aufgestellt wird, der das Gewicht der Maschine tragen kann.

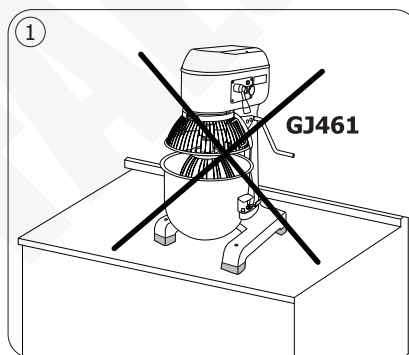


VORSICHT: Die Rührmaschine ist sehr schwer. Beim Bewegen ist Vorsicht angebracht.

- Wenn das Gerät auf einer Arbeitsoberfläche platziert werden soll, stellen Sie sicher, dass es dort gesichert ist (für GL190, GL191).



Die Rührmaschine GJ461 eignet sich nur zum Aufstellen auf dem Boden! Platzieren Sie sie aufgrund ihres schweren Gewichts nicht auf einer Arbeitsoberfläche. Außerdem könnte sie auf der Arbeitsoberfläche während der Nutzung stark vibrieren, herunterfallen und Körperverletzungen oder Sachbeschädigungen verursachen.



Zusammenbau



VORSICHT: Vor Einschalten des Geräts muss die Rührschüssel in Position gebracht und angehoben werden.

- BUFFALO übernimmt keine Verantwortung für Verletzungen, die durch die unkorrekte Montage des Geräts entstehen.



Hinweis: Darauf achten, dass die Füße gerade und auf einer Höhe sind, um eine Vibration während des Betriebs zu vermeiden.

- Sämtliche Verpackung entfernen.

Die GummifüÙe befestigen

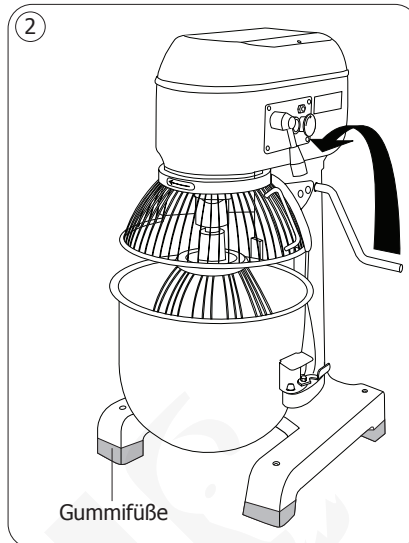
1. Packen Sie das Gerat aus.
2. Nehmen Sie die Maschine von der Holzpalette (losen Sie dazu die vier Bolzen an der Unterseite der Holzpalette).
3. Nehmen Sie die GummifüÙe aus der Schüssel.
4. Befestigen Sie die GummifüÙe an den MaschinenfüÙen.



Hinweis: Für die Montage der GummifüÙe sind mindestens zwei Personen erforderlich.



Hinweis: Sobald Sie die GummifüÙe befestigt haben, müssen Sie sicherstellen, dass die Maschine stabil steht.



Die Art der GummifüÙe

			GL190
			GL191
			GJ461

Schüssel einsetzen/entfernen

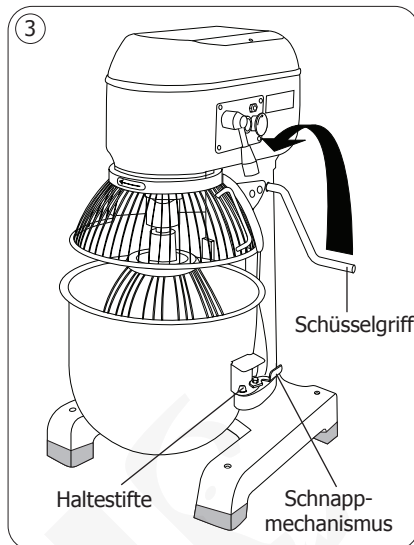
1. Das Gerät ausschalten.
2. Zum Öffnen der Schutzvorrichtung diese nach links drehen (GL190 & GL191) oder sie über das Rührelement (GJ461) anheben.
3. Die Schüssel mithilfe des Griffs absenken.
4. Die Schnappmechanismen auf beiden Seiten der Schüssel lösen.
5. Die Schüssel anheben. Die Schüssel wird durch zwei Stifte in Position gehalten, die die Griffe an der Basis sichern, sowie durch eine Öffnung auf der Geräterückseite, in die der Ansatz an der Schüssellippe eingeführt wird.
6. Zum Einsetzen der Schüssel in umgekehrter Reihenfolge verfahren.



Hinweis: Darauf achten, dass der Griff vollständig nach hinten gedrückt ist und die Schüssel ganz angehoben ist, da die Rührmaschine ansonsten nicht funktioniert.






Hinweis: Fetten Sie regelmäßig den Schüsselaufzugmechanismus ein, um glatten Betrieb sicherzustellen



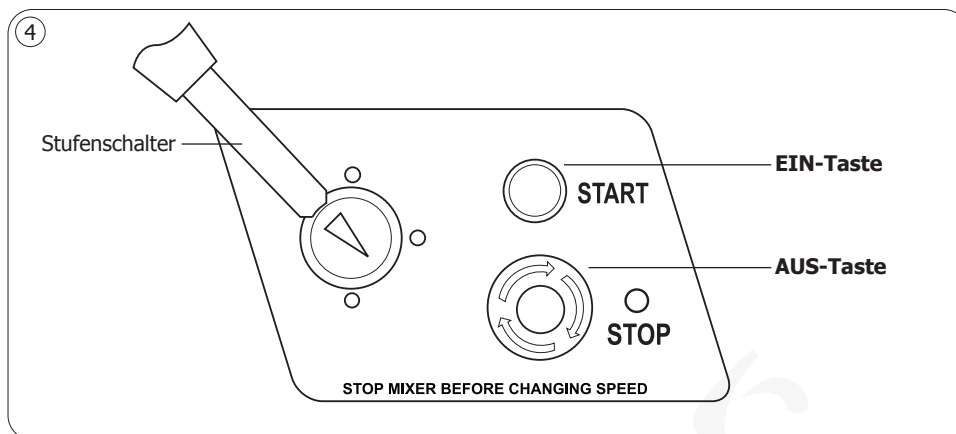
Auswechseln des Rührzubehörs

1. Das Gerät ausschalten.
2. Zum Öffnen der Schutzvorrichtung diese nach links drehen (GL190 & GL191) oder sie über das Rührelement (GJ461) anheben.
3. Die Schüssel mithilfe des Griffs absenken.
4. Den Knethaken, Quirl oder Rührbesen nach oben und links drücken, um ihn zu lösen.
5. Das gewünschte Zubehörteil einsetzen. Nach oben und rechts drücken, um es in Position zu verriegeln.
6. Die Schüssel anheben.

BUFFALO empfiehlt, die einzelnen Zubehörteile wie folgt einzusetzen:

	Spiral-Knethaken	Schwere Konsistenz Teig, Pasteteiteig usw.	Geeignete Stufen: 1
	Quirl	Feste Konsistenz leichtes Gebäck, Kuchen-/Keksteig, Glasuren, Füllungen und zerstampftes Gemüse	Geeignete Stufen: 1, 2
	Rührbesen	Leichte Konsistenz Schlagsahne, Mayonnaise, Eiweiß, Pfannkuchen und Soufflés	Geeignete Stufen: 1, 2, 3

Bedienelemente



EIN-Taste - zum Einschalten der Rührmaschine drücken.

AUS-Taste - zum Ausschalten der Rührmaschine drücken. Im Uhrzeigersinn drehen, um die Taste zu lösen und die Einstellung zurückzusetzen (GJ461).

STUFENSCHALTER - reguliert die Geschwindigkeit des Rührwerks.

Betrieb



- **Hinweis: Diese Anweisungen unbedingt sorgfältig lesen. Der Betrieb des Geräts muss vollständig verstanden werden, bevor das Gerät in Betrieb genommen wird.**
- **Das Personal muss ausführlich im Betrieb und sicheren Gebrauch der Rührmaschine geschult werden.**

Rühren



VORSICHT: Stets darauf achten, dass das Gerät ausgeschaltet ist, bevor Sie die Hände in die Schüssel halten.

1. Schutzvorrichtung öffnen.
2. Die Schüssel füllen.
3. Die gewünschte Rührstufe wählen und die Schutzvorrichtung schließen.



- **Hinweis: BUFFALO empfiehlt, mit der niedrigsten Stufe zu beginnen und die Rührgeschwindigkeit nach Bedarf allmählich zu erhöhen.**
- **Darauf achten, dass die Schutzvorrichtung ganz geschlossen ist, da die Rührmaschine ansonsten nicht funktioniert.**

4. Die START-Taste drücken, um den Rührvorgang zu starten.



Hinweis: Wenn das Gerät Probleme mit dem Rühren hat, das Gerät ausschalten und etwas Inhalt aus der Schüssel entfernen. Dann das Gerät erneut einschalten.

Mischende Kapazität

Modell	Schüsselgröße	Maximales Mehl	Maximaler Teig
GL190	9L	2kg	3,2kg
GL191	20L	5kg	8kg
GJ461	29L	7,5kg	11,3kg

Mixgeschwindigkeit ändern



Hinweis: Die Rührmaschine IMMER stoppen, bevor Sie versuchen, die Mixgeschwindigkeit zu ändern.

Wenn das Gerät ausgeschaltet ist:

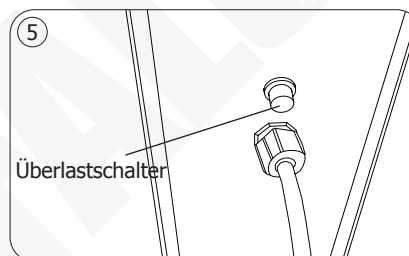
1. Die gewünschte Rührstufe mit dem Stufenschalter einstellen.
2. Das Gerät erneut starten.

Überlastschalter

Der Überlastschalter befindet sich auf der Geräterückseite neben dem Kabeleingang (**Hinweis für GL190:** Der Überlastschalter befindet sich an der Trägerplatte).

Wenn sich das Gerät überhitzt, stoppt der Überlastschalter das Gerät automatisch. In diesem Fall:

1. Schalten Sie das Gerät aus.
2. Nehmen Sie etwas Inhalt aus der Rührschüssel.
3. Drücken Sie den Überlastschalter erneut, um ihn zurückzusetzen.
4. Lassen Sie das Gerät 20 Minuten abkühlen.



Hinweis: Bei einem Stromausfall wird der Überlastschalter aktiviert um zu verhindern, dass das Gerät bei Wiederherstellung der Stromzufuhr wieder automatisch startet. Ziehen Sie stets den Netzstecker ab, wenn die Rührmaschine nicht benutzt wird.

Reinigung, Pflege und Wartung

- Vor Reinigungsarbeiten stets zunächst das Gerät abschalten und den Netzstecker ziehen.
- Schüssel und Knethaken mit einer warmen Seifenlauge reinigen. Keine Scheuermittel benutzen, da diese schädliche Ablagerungen hinterlassen können.
- Das Gerät NICHT mit einem Strahl-/Hochdruckreiniger reinigen.
- Das Gerät außen mit einem feuchten Tuch reinigen.
- BUFFALO empfiehlt, die Kette zu schmieren und die Riemenspannung alle zwölf Monate von einem BUFFALO-Mitarbeiter oder einem qualifizierten Techniker überprüfen zu lassen.
- Das Gerät regelmäßig reinigen.

Störungssuche

Bei einem Defekt Ihres BUFFALO-Geräts konsultieren Sie bitte zunächst folgende Tabelle, bevor Sie die Helpline oder Ihren BUFFALO-Händler anrufen.

Störung	Vermutliche Ursache	Lösung
Das Gerät funktioniert nicht	Das Gerät ist nicht eingeschaltet	Prüfen, ob der Netzstecker in die Steckdose gesteckt wurde und das Gerät eingeschaltet ist
	Stopp-Taste nicht gelöst (GJ461)	Zum Lösen die Taste im Uhrzeigersinn drehen
	Stecker und Kabel sind beschädigt	BUFFALO-Mitarbeiter oder qualifizierten Techniker anrufen
	Stromzufuhr	Netzstrom prüfen
	Der Überlastschalter wurde aktiviert	Siehe Informationen zum Überlastschalter im Bedienungsteil dieses Handbuchs.
	Schutzvorrichtung ist nicht geschlossen	Schutzvorrichtung vollständig schließen
	Keine Rührstufe eingestellt	Rührstufe einstellen
	Schüssel nicht vollständig angehoben	Darauf achten, dass der Hebel an der Schüssel ganz zurückgedrückt ist
Schüssel lässt sich nicht wieder einsetzen	Schüsselstifte oder umgebender Bereich sind mit Rührgut verstopft	Das Gerät reinigen
Das Gerät überhitzt sich	Die Knetschüssel ist zu voll	Gerät ausschalten und einen Teil des Inhalts entleeren
	Das Gerät läuft zu lange	Das Gerät ausschalten und 30 Minuten lang abkühlen lassen
Das Gerät ist laut	Die Schüssel oder der Mischaufsatz ist nicht richtig eingesetzt	Schüssel/Mischaufsatz entfernen und wieder anbringen
	Abgenutzte Lager / beschädigte Zahnräder	BUFFALO-Mitarbeiter oder qualifizierten Techniker anrufen
	Das Fett im Getriebe ist ausgetrocknet	BUFFALO-Mitarbeiter oder qualifizierten Techniker anrufen
Die Quirle drehen sich nicht richtig	Der Riemen hat sich gelöst	BUFFALO-Mitarbeiter oder qualifizierten Techniker anrufen
Keine Stufeneinstellung möglich	Zapfen greifen nicht ineinander	Das Gerät ausschalten und das Rührzubehör von Hand leicht drehen. Erneut die Rührstufe einstellen.

Technische Spezifikationen

Modell	Spannung	Leistung	Stromstärke	Abmessungen h x b x t mm	Gewicht	Schüsselgröße
GL190	220-240V 50Hz	550W	1,8A	610 x 395 x 395	36kg	9L
GL191	220-240V 50Hz	1100W	4,7A	794 x 555 x 558	64kg	20L
GJ461	220-240V 50Hz	1500W	6,5A	1142 x 579 x 611	160kg	29L

Elektroanschlüsse

Der Stecker muss in eine geeignete Steckdose gesteckt werden.

Das Gerät ist wie folgt verdrahtet:

- Stromführender Leiter (braun) an Klemme L
- Neutralleiter (blau) an Klemme N
- Erdleiter (grün/gelb) an Klemme E

Dieses Gerät muss geerdet werden.

Bei Fragen wenden Sie sich bitte an einen qualifizierten Elektriker.

Elektroisolierpunkte dürfen nicht blockiert werden. Bei einem Notstopp müssen diese Punkte jederzeit sofort zugänglich sein.

Konformität

Das WEEE-Logo an diesem Produkt oder in der Dokumentation weist darauf hin, dass das Produkt nicht mit dem normalen Hausmüll entsorgt werden darf. Um potenziellen Gesundheits- bzw. Umweltschäden vorzubeugen, muss das Produkt durch einen zugelassenen und umweltverträglichen Recyclingprozess entsorgt werden. Ausführliche Informationen zur korrekten Entsorgung dieses Produkts erhalten Sie von Ihrem Produktlieferanten oder der für die Müllentsorgung in Ihrer Region zuständige Behörde.



Alle BUFFALO-Produkte werden strengen Tests unterzogen, um die Einhaltung von Normen und Spezifikationen internationaler und nationaler Behörden und unabhängiger Organisationen zu gewährleisten.

BUFFALO-Produkte dürfen durch folgendes Symbol gekennzeichnet werden:

Alle Rechte vorbehalten. Diese Anleitung darf ohne vorherige schriftliche Genehmigung von BUFFALO weder ganz noch teilweise in irgendeiner Form oder auf irgendeinem Wege - einschließlich elektronischer, mechanischer Verfahren, durch Fotokopieren, Aufnahme oder andere Verfahren - vervielfältigt oder übertragen werden.

Es werden alle Anstrengungen unternommen um sicherzustellen, dass alle Angaben bei der Drucklegung korrekt sind. BUFFALO behält sich jedoch das Recht vor, Spezifikationen ohne Vorankündigung zu ändern.

Suggerimenti per la sicurezza



L'apparecchio deve essere utilizzato esclusivamente da persone esperte e in conformità con le presenti istruzioni.

- Posizionare su una superficie piana e stabile.
- L'installazione e le eventuali riparazioni devono venire eseguite da un agente/tecnico qualificato. Non rimuovere i componenti o i pannelli di accesso dell'apparecchio.
- Verificare la conformità alle normative locali e nazionali di quanto segue:
 - Normativa antinfortunistica sul lavoro
 - Linee guida BS EN
 - Precauzioni antincendio
 - Normativa IEE sui circuiti elettrici
 - Norme di installazione
- L'apparecchio non è destinato a essere utilizzato da persone (inclusi i bambini) con ridotte capacità fisiche, sensoriali o mentali, o prive della necessaria esperienza e conoscenza dell'apparecchio, che non abbiano ricevuto supervisione o istruzioni relative all'utilizzo dell'apparecchio dalle persone responsabili della loro sicurezza
- Tenere lontano l'imballaggio dalla portata dei bambini. Smaltire l'imballaggio in conformità alle normative locali.
- Se danneggiato, il cavo di alimentazione deve venire sostituito da un agente BUFFALO o da un tecnico qualificato al fine di prevenire eventuali rischi.
- L'apparecchio deve essere utilizzato esclusivamente da persone esperte e in conformità con le presenti istruzioni
- Rimanere sempre DIETRO la protezione di sicurezza quando l'apparecchio è in funzione.

- NON avvicinare le mani ai componenti rotanti quando l'apparecchio è in funzione. Pericolo di gravi lesioni personali
- NON rimuovere il cibo dall'apparecchio fino a quando i componenti di impasto non si sono completamente arrestati.
- NON immergere l'apparecchio in acqua.
- NON tentare di impastare oggetti o cibi per i quali l'apparecchio non è progettato, in quanto si possono danneggiare i componenti di impasto.
- NON utilizzare con componenti di impasto danneggiati.
- NON disattivare i blocchi di sicurezza.
- Sorvegliare SEMPRE l'apparecchio quando è in funzione.
- L'apparecchio è pesante. Fare attenzione durante gli spostamenti.
- Non usare mai accessori non raccomandati dal fabbricante. Potrebbero rappresentare un rischio per la sicurezza dell'utente e danneggiare lo strumento. Usare solo parti e accessori originali.
- BUFFALO raccomanda che questo apparecchio venga periodicamente testato (almeno una volta all'anno) da una persona competente. I test dovrebbero includere, ma non solo: ispezione visiva, test di polarità, continuità di terra, continuità di isolamento e test funzionale.

Descrizione dei prodotti

GL190 - Impastatrice planetaria 9 litri

GL191 - Impastatrice planetaria 20 litri

GJ461 - Impastatrice planetaria 29 litri

L'impastatrice planetaria BUFFALO è un apparecchio indipendente che consiste in una grossa vasca di impasto montata sotto un complessivo motore e ingranaggi al quale può essere fissato uno strumento per impastare.

Introduzione

L'impastatrice planetaria BUFFALO è stata progettata per impastare una varietà di alimenti, dalle creme all'impasto per il pane. Leggere con attenzione il presente manuale.

La manutenzione e l'utilizzo corretti di questo apparecchio consentiranno di ottenere le massime prestazioni da questo prodotto BUFFALO.

Contenuto della confezione

La confezione contiene:

- Impastatrice planetaria Buffalo
- Vasca di impasto
- Uncino per impasto
- Battitore
- Frusta
- Manuale di istruzioni

BUFFALO garantisce una qualità e un servizio impeccabili e assicura che al momento dell'imballaggio tutti componenti forniti sono integralmente funzionanti e privi di difetti.

Nel caso siano rilevati danni risultanti dal trasporto del prodotto, rivolgersi immediatamente al rivenditore BUFFALO locale.

Installazione

- Assicurarsi che il piano d'appoggio su cui viene posizionata l'impastatrice planetaria sia in grado di supportarne il peso.

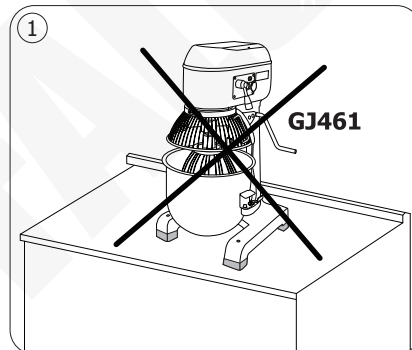


ATTENZIONE: l'impastatrice planetaria è molto pesante; prendere le necessarie precauzioni se è necessario spostarla.

- Se lo strumento è fatto per essere posto su un piano di lavoro, si prega di assicurarsi che sia ben posizionato (per GL190, GL191).



A pavimento solamente con l'impastatrice GJ461! Non porla su alcun piano di lavoro per il gran peso. Inoltre, può vibrare intensamente sul piano di lavoro durante l'uso, cadere e provocare danni a cose o persone.



Montaggio



ATTENZIONE: La vasca d'impasto deve essere fissata e sollevata in posizione prima di avviare l'impastatrice planetaria.

- BUFFALO declina ogni responsabilità in relazione a lesioni derivanti da un montaggio non corretto di questo apparecchio.



Nota: Assicurarsi che i piedi siano in piano per ridurre le vibrazioni durante il funzionamento dell'apparecchio.

- Rimuovere l'apparecchio dall'imballaggio.

Come installare i piedini in gomma

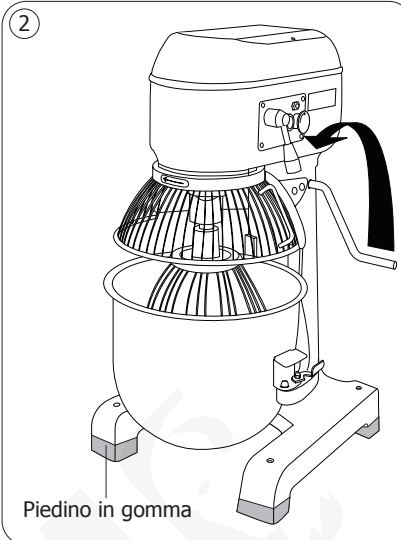
1. Rimuovere tutto l'imballaggio dall'apparecchio.
2. Rimuovere il pallet di legno dall'apparecchio (allentare i quattro bulloni nella parte inferiore del pallet di legno).
3. Estrarre i piedini in gomma dalla ciotola.
4. Installare i piedini in gomma sui punti di appoggio dell'apparecchio.



Nota: l'installazione dei piedini in gomma deve essere effettuata da minimo due persone.



Nota: una volta che i piedini in gomma sono stati installati, assicurarsi che l'apparecchio sia stabile.



Piedino in gomma

Tipologie di piedini in gomma

			GL190	
			GL191	
				GJ461

Montaggio/Rimozione della vasca

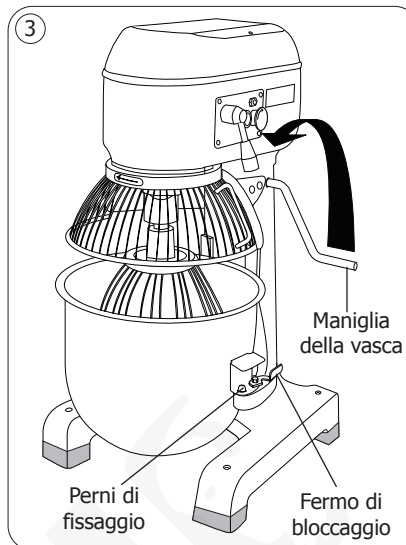
1. Spegner l'apparecchio.
2. Aprire la protezione di sicurezza ruotandola verso sinistra (modelli GL190 & GL191) o sollevandola sopra l'impastatrice (modello GJ461).
3. Abbassare la vasca utilizzando la maniglia della vasca.
4. Rilasciare i blocchi su entrambi i lati della vasca.
5. Sollevare la vasca. La vasca è fissata in posizione tramite due perni che fissano le maniglie al supporto e da un foro nella parte posteriore dell'apparecchio in cui è alloggiata il labbro della vasca.
6. Invertire la procedura per inserire la vasca.



Nota: assicurarsi che la maniglia sia completamente posizionata all'indietro e che la vasca sia completamente sollevata o che l'impastatrice non sia in funzione.



Nota: Unga regolarmente il meccanismo dell'elevatore della ciotola per accertarsi del funzionamento regolare



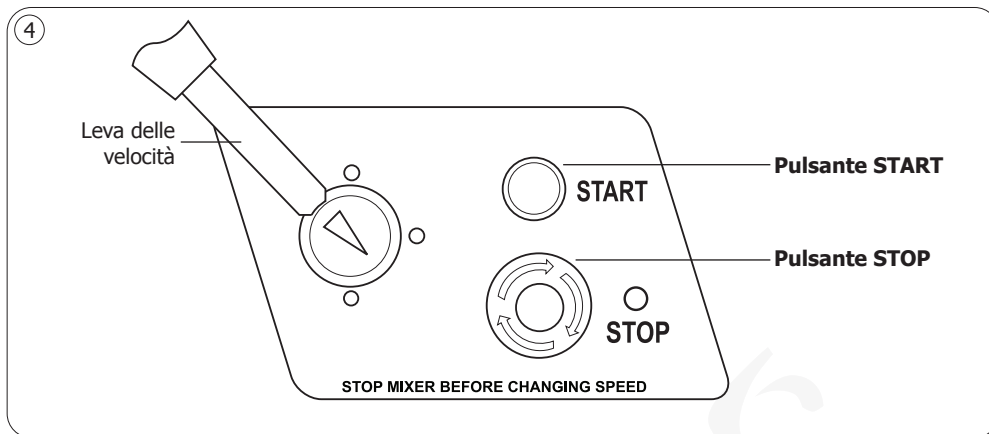
Cambio di accessori dell'impastatrice

1. Spegner l'apparecchio.
2. Aprire la protezione di sicurezza ruotandola verso sinistra (modelli GL190 & GL191) o sollevandola sopra l'impastatrice (modello GJ461).
3. Abbassare la vasca utilizzando la maniglia della vasca.
4. Spingere l'accessorio dell'impastatrice verso l'alto e a sinistra per rilasciarlo.
5. Inserire l'accessorio desiderato. Spingere verso l'alto e a destra per bloccarlo in posizione.
6. Sollevare la vasca.

BUFFALO consiglia i seguenti utilizzi per ciascun accessorio:

	Uncino per impasto	Impasti più pesanti pasta, impasto per torte ecc.	Velocità appropriate: 1
	Battitore	Impasti compatti pasta sfoglia leggera, impasto dolci/biscotti, glasse, ripieni e purea di verdure	Velocità appropriate: 1, 2
	Frusta	Impasti leggeri panna montata, maionese, chiare d'uovo, pancake e soufflé	Velocità appropriate: 1, 2, 3

Posizione dei comandi



Pulsante START - Premere per avviare l'impastatrice.

Pulsante STOP - Premere per arrestare l'impastatrice. Ruotare in senso orario per rilasciare e resettare (solo per GJ461).

LEVA DELLE VELOCITÀ - Utilizzare per regolare la velocità dell'impastatrice.

Funzionamento



- **Nota:** Prima dell'utilizzo, assicurarsi di leggere e comprendere integralmente le istruzioni dell'apparecchio.
- Tutti gli addetti devono avere ricevuto un completo addestramento all'utilizzo dell'impastatrice planetaria e devono rispettarne tutte le precauzioni di sicurezza.

Operazioni di impasto



ATTENZIONE: assicurarsi sempre che l'apparecchio sia spento prima di infilare le mani nella vasca di impasto.

1. Aprire la protezione di sicurezza.
2. Riempire la vasca.
3. Selezionare la velocità desiderata e chiudere la protezione.



- **Nota:** BUFFALO consiglia di iniziare con la velocità più bassa e di aumentarla gradualmente se necessario.
- Assicurarsi che la protezione di sicurezza sia ben chiusa, in caso contrario l'impastatrice non funziona.

4. Premere il pulsante START per avviare l'operazione di impasto.



Nota: se l'apparecchio impasta con difficoltà, spegnere l'apparecchio e rimuovere una parte del contenuto della vasca prima di ricominciare.

Capienza Mescolantesi

Modello	Dimensioni vasca	Farina Massima	Pasta Massima
GL190	9L	2kg	3,2kg
GL191	20L	5kg	8kg
GJ461	29L	7.5kg	11,3kg

Cambio della velocità di impasto



Nota: arrestare **SEMPRE** l'impastatrice prima di cambiare la velocità d'impasto.

Con l'apparecchio spento:

1. Selezionare la velocità richiesta utilizzando la leva di cambio velocità.
2. Riavviare l'apparecchio.

Interruttore di sovraccarico

L'interruttore di sovraccarico si trova nella parte posteriore della macchina, accanto all'ingresso del cavo (**Nota per GL190:** l'interruttore di sovraccarico si trova sulla base).

Se l'apparecchio si surriscalda l'interruttore di sovraccarico si arresta automaticamente la macchina. In questo caso:

1. Spegner l'impastatrice.
2. Ridurre il carico all'interno della ciotola di miscelazione.
3. Premere nuovamente l'interruttore di sovraccarico per resettarlo.
4. Lasciare raffreddare l'apparecchio per 20 minuti.



Nota: In caso di interruzione dell'alimentazione, l'interruttore di sovraccarico impedisce il riavvio automatico dell'apparecchio al ripristino dell'alimentazione.



Nota: Scollegare sempre l'impastatrice planetaria dalla rete elettrica quando non è in uso.

Pulizia e manutenzione

- Prima di eseguire la pulizia, spegnere l'impastatrice e scollegare l'alimentazione.
- Utilizzare acqua calda saponata per pulire la vasca e la vite di impasto. Non utilizzare detergenti chimici abrasivi in quanto possono lasciare residui nocivi.
- Non utilizzare sistemi di lavaggio a getto o a pressione per pulire l'apparecchio.
- Pulire la superficie esterna dell'apparecchio utilizzando un panno inumidito.
- BUFFALO raccomanda che la lubrificazione della catena e il controllo della tensione della cinghia siano eseguiti ogni 12 mesi da un tecnico qualificato o da un agente BUFFALO.
- Pulire regolarmente l'apparecchio.

Risoluzione dei problemi

Se dovessero verificarsi guasti all'apparecchio BUFFALO, controllare la tabella seguente prima di contattare la helpline telefonica o il rivenditore BUFFALO.

Guasto	Probabile causa	Azione
L'apparecchio non funziona	L'apparecchio non è acceso	Controllare che l'apparecchio sia correttamente collegato e acceso
	La presa e il cavo sono danneggiati	Rivolgersi a un tecnico qualificato o a un agente BUFFALO
	Alimentazione	Controllare l'alimentazione
	L'apparecchio non è acceso	Controllare che l'apparecchio sia correttamente collegato e acceso
	Il pulsante di arresto non è rilasciato (GJ461)	Ruotare in senso orario il pulsante per rilasciare
	L'interruttore di sovraccarico è stato attivato	Per informazioni sull'interruttore di sovraccarico, vedere la sezione Funzionamento di questo manuale
	Protezione di sicurezza non chiusa	Chiudere completamente la protezione di sicurezza
	Vasca non completamente sollevata	Assicurare che la leva della vasca sia completamente posizionata all'indietro
La vasca non viene inserita in posizione	I perni della vasca o l'area circostante sono ostruiti dall'impasto	Pulire l'apparecchio
L'apparecchio si surriscalda	La vasca di impasto è sovraccarica	Spegnere l'apparecchio e rimuovere una parte del contenuto
	L'apparecchio è stato in funzione per un periodo eccessivo di tempo	Spegnere l'apparecchio e lasciare raffreddare per 30 minuti
L'apparecchio è rumoroso	Ciotola o accessorio di miscelazione non montato correttamente	Rimuovere e rimontare la ciotola / l'accessorio di miscelazione
	Cuscinetti usurati / ingranaggi danneggiati	Rivolgersi a un tecnico qualificato o a un agente BUFFALO
	Il grasso nella scatola degli ingranaggi si è seccato	Rivolgersi a un tecnico qualificato o a un agente BUFFALO
La frusta non ruota in maniera corretta	La cinghia è allentata	Rivolgersi a un tecnico qualificato o a un agente BUFFALO
Impossibile selezionare la velocità	Gli ingranaggi della velocità non sono allineati	Spegnere l'apparecchio e ruotare leggermente la frusta manualmente. Selezionare nuovamente la velocità

Specifiche tecniche

Modello	Tensione	Alimentazio	Corrente	Dimensioni h x l x p mm	Peso	Dimensioni vasca
GL190	220-240V 50Hz	550W	1,8A	610 x 395 x 395	36kg	9L
GL191	220-240V 50Hz	1100W	4,7A	794 x 555 x 558	64kg	20L
GJ461	220-240V 50Hz	1500W	6,5A	1142 x 579 x 611	160kg	29L

Cablaggi elettrici

La spina deve venire collegata a una presa di rete appropriata.

L'apparecchio ha i seguenti cablaggi:

- Filo sotto tensione (colore marrone) a terminale L
- Filo del neutro (colore blu) a terminale N
- Filo di terra (colore verde/giallo) a terminale E

Questa apparecchiatura deve essere collegata a terra.

In caso di dubbi, consultare un elettricista qualificato.

I punti di isolamento elettrico devono essere liberi da ostruzioni. In caso di emergenza, i punti devono essere facilmente raggiungibili qualora sia necessario scollegarli.

Conformità

Il logo WEEE riportato su questo prodotto o sulla relativa documentazione indica che il prodotto non può essere smaltito come normale rifiuto domestico. Per evitare possibili danni alla salute e/o all'ambiente, il prodotto deve venire smaltito utilizzando una procedura di riciclaggio approvata e sicura per l'ambiente. Per ulteriori informazioni su come smaltire in maniera corretta questo prodotto, contattare il fornitore del prodotto o l'ente locale responsabile per lo smaltimento dei rifiuti.



I componenti BUFFALO sono stati sottoposti a un rigoroso collaudo ai fini della conformità agli standard e alle specifiche normative previste dalle autorità internazionali, indipendenti e federali.

I prodotti BUFFALO sono autorizzati a esporre il seguente simbolo:

Tutti i diritti riservati. È vietata la riproduzione o la trasmissione in alcuna forma, elettronica, meccanica, mediante fotocopiatura o altro sistema di riproduzione, di qualsiasi parte delle presenti istruzioni senza la previa autorizzazione scritta di BUFFALO.

Le informazioni contenute sono corrette e accurate al momento della stampa, tuttavia BUFFALO si riserva il diritto di modificare le specifiche senza preavviso

Consejos de Seguridad



Todo el personal debe estar plenamente formado en el funcionamiento y las precauciones de seguridad de la batidora planetaria.

- Colóquelo sobre una superficie plana y estable.
- Un agente de servicio técnico cualificado debería llevar a cabo la instalación y cualquier reparación si se precisa. No retire ningún componente ni panel de servicio de este producto.
- Consulte las Normas Locales y Nacionales correspondientes a lo siguiente:
 - Legislación de Seguridad e Higiene en el Trabajo
 - Códigos de Práctica BS EN
 - Precauciones contra Incendios
 - Normativos de Cableado de la IEE
 - Normativas de Construcción
- Este aparato sólo debe utilizarse de acuerdo con estas instrucciones y por personas competentes.
- Este aparato no debe ser utilizado por personas (niños incluidos) que tengan limitadas sus capacidades físicas, sensoriales o mentales, o que no tengan experiencia y conocimientos, a menos que estén bajo la supervisión o hayan recibido instrucciones relativas al uso del aparato a cargo de una persona responsable de su seguridad.
- Mantenga el embalaje fuera del alcance de los niños. Deseche el embalaje de acuerdo con las normativas de las autoridades locales.
- Si el cable eléctrico resultada dañado, debe ser reemplazado por un técnico cualificado recomendado o un agente de BUFFALO para evitar cualquier riesgo.
- Siempre desconecte el aparato, desconecte el suministro eléctrico y deje que se enfríe antes de limpiar o cambiar / sacar piezas.

- Permanezca siempre **DETRÁS** del dispositivo de seguridad al poner el aparato en funcionamiento.
- **NO** ponga las manos cerca de los accesorios giratorios cuando se esté utilizando. Esto puede provocar graves daños.
- **NO** retire comida del aparato hasta que los accesorios giratorios se hayan parado completamente.
- **NO** sumerja el aparato en agua.
- **NO** utilice esta máquina para mezclar productos para los cuales no está diseñada. Esto puede dañar los accesorios mezcladores.
- No utilizar la máquina con los accesorios mezcladores dañados.
- **NO** se salte los dispositivos de seguridad.
- No deje **NUNCA** el aparato desatendido cuando no se esté utilizando.
- El aparato es pesado. Tenga cuidado al moverlo.
- Nunca utilice accesorios que no hayan sido recomendados por el fabricante. Podrían entrañar riesgos para la seguridad del usuario y provocar daños en el aparato. Utilice solo componentes y accesorios originales.
- **BUFFALO** recomienda que este aparato debe ser periódicamente probado (al menos anualmente) por una Persona Competente. La prueba debe incluir, pero no debe estar limitado a: Inspección visual, Prueba de polaridad, Toma a tierra, continuidad de aislamiento y prueba Funcional.

Descripción del Producto

GL190 - Mezcladora planetaria de 9 litros

GL191 - Mezcladora planetaria de 20 litros

GJ461 - Mezcladora planetaria de 29 litros

La batidora planetaria **BUFFALO** es una máquina autoestable que consta de un gran bol montado debajo de un motor y un dispositivo de caja de engranajes a la que puede unirse una herramienta mezcladora.

Introducción

La batidora planetaria **BUFFALO** se ha diseñado para mezclar distintos alimentos, desde cremas hasta masas.

Tómese unos minutos para leer este manual. El correcto mantenimiento y manejo de esta máquina proporcionará el mejor funcionamiento posible de su producto **BUFFALO**.

Contenido del Conjunto

Se incluye lo siguiente:

- Mezcladora planetaria Buffalo
- Bol de mezclado
- Gancho mezclador de masa espiral
- Batidora
- Varillas
- Manual de instrucciones

BUFFALO se enorgullece de su calidad y servicio y asegura que en el momento del embalaje, el contenido se suministró con plena funcionalidad y sin ningún defecto.

Si encontrara algún daño resultante del transporte, póngase en contacto inmediatamente con su distribuidor BUFFALO.

Instalación

- Asegúrese de que el lugar en el que coloque la mezcladora planetaria pueda soportar su peso.

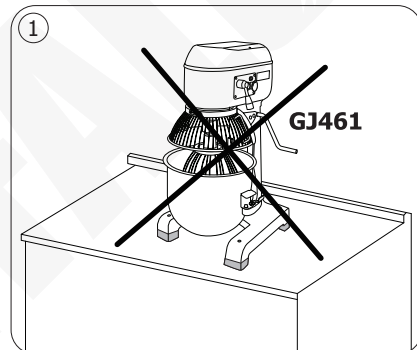


ADVERTENCIA: la mezcladora planetaria es muy pesada, por lo que debe tener cuidado al moverla.

- Si el aparato está destinado a ser colocado en una encimera, asegúrese de que esté asegurado en su posición (para GL190, GL191).



¡Coloque la mezcladora GJ461 solo en el piso! No la coloque en ninguna encimera debido a su gran peso. Además, puede vibrar intensamente en la encimera durante su uso, caerse de ella y originar daños personales / materiales.



Montaje



ADVERTENCIA: El bol debe colocarse y subirse a su posición antes de poner en marcha la batidora planetaria.

- BUFFALO no acepta ninguna responsabilidad por ningún daño provocado por un montaje incorrecto de este aparato.



Nota: asegúrese de que las patas están niveladas para reducir las vibraciones durante el funcionamiento de la máquina.

- Retire completamente el embalaje del aparato.

Cómo instalar las patas de goma

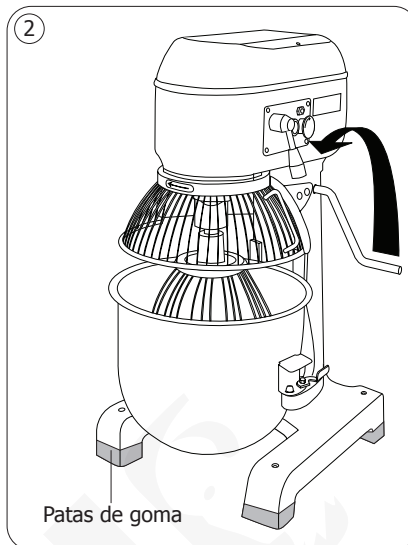
1. Retire todo el embalaje del aparato.
2. Retire la plataforma de madera del aparato (afloje los cuatro tornillos situados en la parte inferior de la plataforma de madera).
3. Saque las patas de goma del recipiente.
4. Coloque las patas de goma en la base del aparato.



Nota: la instalación de las patas de goma debe realizarse entre al menos dos personas.



Nota: una vez instaladas las patas de goma, asegúrese de que el aparato quede estable.



Tipos de pies de goma

			GL190
			GL191
		GJ461	

Montaje/desmontaje del bol

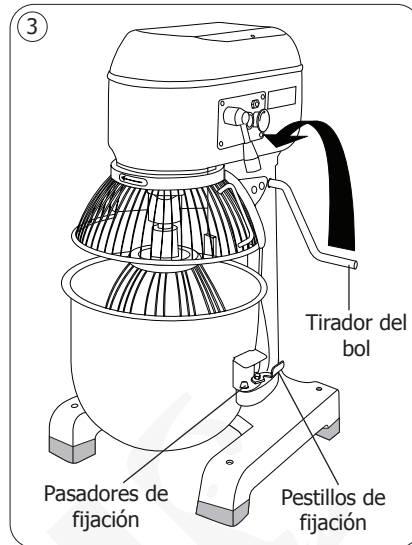
1. Apague el aparato.
2. Abra el protector de seguridad girándolo hacia la izquierda (GL190 y GL191) o subiéndolo por encima de la batidora (GJ461).
3. Baje el bol con el tirador.
4. Suelte los pestillos de fijación de ambos lados del bol.
5. Eleve el bol. El bol se mantiene en su sitio gracias a dos pasadores que fijan los tiradores a la plataforma y un orificio en la parte posterior del aparato que alberga el saliente del bol.
6. Para montar el bol, siga el procedimiento inverso.



Nota: asegúrese de que el tirador está totalmente retraído y de que el bol se ha subido del todo, de lo contrario la mezcladora no funcionará.






Nota: Engrase regularmente el mecanismo de la elevación del tazón de fuente para asegurar la operación lisa.



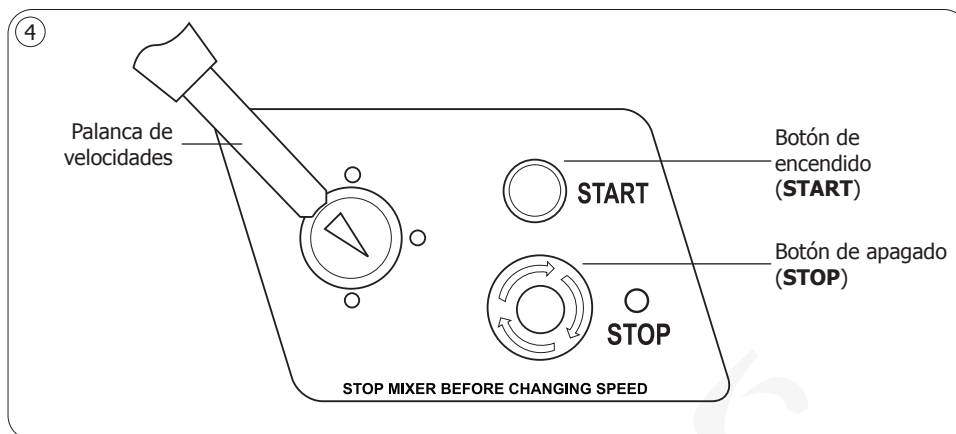
Cambio de los accesorios de la mezcladora

1. Apague el aparato.
2. Abra el protector de seguridad girándolo hacia la izquierda (GL190 y GL191) o subiéndolo por encima de la batidora (GJ461).
3. Baje el bol con el tirador.
4. Empuje el accesorio de la mezcladora hacia arriba y hacia la izquierda para soltarlo.
5. Introduzca el accesorio que desee. Empuje hacia arriba y hacia la derecha el accesorio para fijarlo en su sitio.
6. Eleve el bol.

BUFFALO recomienda emplear los accesorios para los siguientes usos:

	Gancho mezclador de masa espiral	Mezclas pesadas, masa, tartas, etc.	Velocidades adecuadas: 1
	Batidora	Mezclas firmes como pasteles ligeros, tartas/galletas, helados, rellenos y puré de verduras	Velocidades adecuadas: 1, 2
	Varillas	Mezclas ligeras como nata, mayonesa, claras de huevo, creps y soufflés	Velocidades adecuadas: 1, 2, 3

Disposición de los controles



Botón START - púselo para poner en marcha la mezcladora.

Botón STOP - púselo para parar la mezcladora. Gírelo hacia la derecha para soltarlo y reiniciar (GJ461).

PALANCA DE VELOCIDADES - úsela para ajustar la velocidad de la mezcladora.

Funcionamiento



- **Nota: Asegúrese de haber leído bien estas instrucciones y de que comprende totalmente el funcionamiento de este aparato antes de usarlo.**
- **Todo el personal debe estar plenamente formado en el funcionamiento y las precauciones de seguridad de la batidora planetaria.**

Mezclado



ADVERTENCIA: asegúrese siempre de que el aparato esté apagado antes de meter las manos en el bol de mezcla.

1. Abra el dispositivo de seguridad.
2. Llene el bol.
3. Seleccione la velocidad que desee y cierre el dispositivo de protección.



- **Nota: BUFFALO recomienda empezar con la velocidad más baja e ir subiendo gradualmente en función de sus necesidades.**
- **Asegúrese de que el dispositivo de protección de seguridad está totalmente cerrado, de lo contrario la mezcladora no funcionará.**

4. Pulse el botón START para iniciar el proceso de mezcla.



Nota: si el aparato no funciona con suavidad, apáguelo y retire parte del contenido del bol antes de volver a intentarlo.

Capacidad de mezcla

Modelo	Tamaño del bol	Harina Maxima	Pasta Maxima
GL190	9L	2kg	3,2kg
GL191	20L	5kg	8kg
GJ461	29L	7.5kg	11,3kg

Cambio de la velocidad de mezcla



Nota: pare SIEMPRE la mezcladora antes de cambiar de velocidad.

Con el aparato apagado:

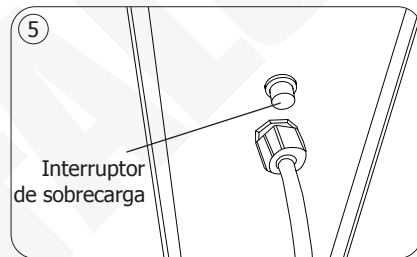
1. Seleccione la velocidad deseada con la palanca correspondiente.
2. Ponga de nuevo en marcha el aparato.

Interruptor de sobrecarga

El interruptor de sobrecarga se encuentra en la parte trasera de la máquina, debajo de la entrada del cable (Nota para **GL190**: el interruptor de sobrecarga está en la base).

Si el aparato se calienta demasiado, el interruptor de sobrecarga detendrá la máquina automáticamente. Si ocurriera esto:

1. Apague la mezcladora.
2. Reduzca la carga del bol de mezclado.
3. Pulse el interruptor de sobrecarga de nuevo para reiniciar la máquina.
4. Deje que el aparato se enfríe durante 20 minutos.



Nota: si se produce un corte de energía, el interruptor de sobrecarga actuará e impedirá que el aparato se vuelva a poner en marcha automáticamente cuando se recupere la fuente de alimentación.



Nota: desconecte siempre la mezcladora planetaria de la red eléctrica cuando no la esté usando.

Limpeza, Cuidado y Mantenimiento

- Desconecte la mezcladora y desenchúfela de la toma eléctrica antes de llevar a cabo la limpieza.
- Utilice agua caliente con jabón para limpiar el bol y la espiral mezcladora. No utilice productos de limpieza abrasivos, ya que pueden dejar residuos nocivos.
- No utilice dispositivos de lavado de chorro / presión para limpiar el aparato.
- Limpie el exterior del aparato con un paño húmedo.
- Limpie el aparato con regularidad.

Resolución de problemas

Si su aparato BUFFALO falla, compruebe la tabla siguiente antes de llamar a la línea de asistencia o a su distribuidor BUFFALO.

Fallo	Probable Causa	Acción
	El aparato no está conectado	Compruebe que el aparato esté enchufado correctamente y conectado
	El botón STOP (PARADA)	Gírelo en el sentido de las agujas de reloj para soltarlo
	El enchufe y el cable están dañados	Llame a un agente de BUFFALO o un técnico cualificado
	Suministro eléctrico	Compruebe el suministro eléctrico
	El interruptor de sobrecarga se ha activado	Ver la información sobre el interruptor de sobrecarga en la sección Funcionamiento de este manual
	El dispositivo de protección no está cerrado	Cierre bien el dispositivo de protección
	No se ha introducido ninguna velocidad en el aparato	Ponga una velocidad
	El bol no está arriba del todo	Asegúrese de que la palanca del bol está totalmente retraída
El bol no se fija en su sitio	Los pasadores del bol o la zona de alrededor están atascados por la masa	Limpie el aparato
El aparato se sobrecalienta	El bol de mezcla está sobrecargado	Apague el aparato y retire parte del contenido
	El aparato ha estado funcionando durante demasiado tiempo	Apague el aparato y deje que se enfríe durante 30 minutos
El aparato hace ruido	El accesorio para el bol o mezcla no está correctamente colocado	Retire y vuelva a colocar el accesorio del bol / mezcla
	Cojinetes desgastados / engranajes dañados	Llame a un agente de BUFFALO o un técnico cualificado
	La grasa se secó en la caja de cambios	Llame a un agente de BUFFALO o un técnico cualificado
El batidor no gira bien	La correa se ha aflojado	Llame a un agente de BUFFALO o un técnico cualificado
No se puede seleccionar una velocidad	Los dientes del engranaje están mal alineados	Apague el aparato y gire manualmente el accesorio de las varillas ligeramente. Seleccione de nuevo la velocidad

Especificaciones Técnicas

Modelo	Tensión	Potencia	Corriente	Dimensiones a x a x p mm	Peso	Tamaño del bol
GL190	220-240V 50Hz	550W	1,8A	610 x 395 x 395	36kg	9L
GL191	220-240V 50Hz	1100W	4,7A	794 x 555 x 558	64kg	20L
GJ461	220-240V 50Hz	1500W	6,5A	1142 x 579 x 611	160kg	29L

Cableado Eléctrico

El enchufe tiene que conectarse a una toma eléctrica adecuada.

Este aparato está conectado de la forma siguiente:

- Cable cargado (de color marrón) al terminal marcado como L
- Cable neutro (de color azul) al terminal marcado como N
- Cable de tierra (de color verde / amarillo) al terminal marcado como E

Este aparato debe conectarse a una toma de tierra.

Si tiene alguna duda, consulte a un electricista cualificado.

Los puntos de aislamiento eléctrico deben mantenerse libres de cualquier obstrucción. En caso de precisarse una desconexión de emergencia, deben estar disponibles de forma inmediata.

Cumplimiento

El logotipo WEEE en este producto o su documentación indica que no debe eliminarse como un residuo doméstico. Para ayudar a prevenir posibles daños a la salud humana y/ o el medio ambiente, el producto debe eliminarse en un proceso de reciclaje aprobado y medioambientalmente seguro. Para obtener más información sobre cómo eliminar correctamente este producto, póngase en contacto con el proveedor del mismo o la autoridad local responsable de la eliminación de residuos en su zona.



Las piezas BUFFALO han pasado estrictas pruebas de productos para cumplir las especificaciones y normas reguladoras establecidas por las autoridades internacionales, independientes y federales.

Los productos BUFFALO han sido autorizados para llevar el símbolo siguiente:

Reservados todos los derechos. Puede estar prohibida la reproducción o transmisión en cualquier forma o por cualquier medio electrónico, mecánico, de fotocopiado, registro o de otro tipo, de cualquier parte de estas instrucciones sin la autorización previa y por escrito de BUFFALO.

Se ha hecho todo lo posible para garantizar que todos los datos son correctos en el momento de su publicación; sin embargo, BUFFALO se reserva el derecho a modificar las especificaciones sin que medie notificación previa.

Conselhos de segurança



Todo o pessoal deve estar devidamente instruído sobre o funcionamento e as precauções de segurança da Misturadora.

- Colocar numa superfície plana e estável.
- Um agente de serviço/técnico qualificado deverá efectuar a instalação e quaisquer reparações, caso necessário. Não retirar qualquer componente ou painéis de serviço deste produto.
- Consultar e cumprir os regulamentos locais e nacionais no que diz respeito à:
 - Legislação de saúde e segurança no local de trabalho
 - Códigos de trabalho
 - Prevenção de incêndios
 - Normas para sistemas eléctricos IEE
 - Código de construção
- Este aparelho não está indicado para ser utilizado por pessoas (incluindo crianças) com capacidades físicas, sensoriais ou mentais limitadas, ou com falta de experiência e conhecimento, excepto se tiverem sido supervisionadas ou tiverem recebido instruções acerca da utilização do aparelho por uma pessoa responsável pela sua segurança
- Este aparelho deve ser utilizado apenas de acordo com estas instruções e por pessoas competentes.
- Mantenha o material da embalagem fora do alcance de crianças. O material da embalagem é para ser deitado fora respeitando as regras das autoridades locais.
- A fim de evitar situações perigosas, a substituição dos cabos de alimentação danificados deve ser feita por um agente Buffalo ou um técnico qualificado recomendado.
- Durante a utilização do aparelho, permaneça sempre **ATRÁS** da capa de protecção.

- Durante o uso, **NÃO** colocar as mãos perto dos utensílios rotativos. Isto pode provocar ferimentos graves.
- **NÃO** remova alimentos do aparelho até que os utensílios de mistura tenham parado totalmente.
- **NÃO** mergulhe o aparelho em água.
- **NÃO** tente misturar alimentos que não sejam indicados para esta máquina. Isso pode danificar os utensílios de mistura.
- **NÃO** utilize a máquina com um utensílio de mistura danificado.
- **NÃO** aplique bypass nos interruptores de segurança.
- **NUNCA** deixe o aparelho sem vigilância durante a utilização.
- O aparelho é pesado. Tenha cuidado. Tenha cuidado ao deslocá-lo.
- Nunca use acessórios que não sejam recomendados pelo fabricante. Podem pôr em risco a segurança do utilizador e podem danificar o aparelho. Use apenas peças e acessórios originais.
- A BUFFALO recomenda que esta unidade seja testada periodicamente (mínimo 1 vez por ano) por pessoas qualificadas. O teste deve incluir, porém não está limitado a: Inspeção visual, teste de polaridade, continuidade da terra, continuidade de isolamento e teste funcional.

Descrição do produto

Misturadora **GL190** - 9 litros

Misturadora **GL191** - 20 litros

Misturadora **GJ461** - 29 litros

A Misturadora BUFFALO é uma máquina autónoma que consiste numa taça larga montada por baixo do motor e um dispositivo de velocidades ao qual a ferramenta de mistura pode ser ligada..

Introdução

A Misturadora BUFFALO foi concebida para misturar uma variedade de alimentos, desde natas a massa.

Por favor utilize o tempo necessário para ler atentamente este manual. Uma manutenção e utilização correcta deste aparelho permitem a melhor capacidade de funcionamento do seu produto BUFFALO.

Conteúdo da embalagem

A embalagem inclui o seguinte:

- Misturadora da Buffalo
- Taça de Mistura
- Gancho espiral para massas
- Batedor
- Pinha
- Manual de instruções

A BUFFALO orgulha-se pelo serviço e a qualidade dos seus produtos e portanto verifica, durante a fase de embalagem, o estado funcional e o bom estado do conteúdo fornecido.

Quando confrontado com quaisquer danos provocados durante o transporte, contacte imediatamente o seu fornecedor BUFFALO.

Instalação

- Certifique-se de que o lugar de apoio da misturadora consegue suportar o peso da mesma.

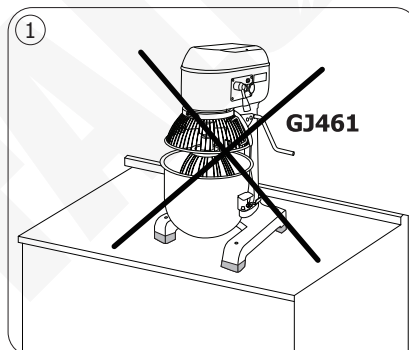


AVISO: A misturadora é muito pesada, por isso, deve-se ter cuidado ao deslocá-la.

- Se o aparelho se destinar a ser posicionado sobre uma bancada, assegure-se de que esta está bem segura (para GL190, GL191).



Unidade de chão apenas com a batedeira GJ461! Não a coloque sobre qualquer bancada devido ao seu peso. Além disso, pode vibrar intensamente durante a utilização em cima da bancada, cair e causar danos pessoais/ de propriedade.



Montagem



AVISO: A taça tem de ser fixada e devidamente posicionada, antes de ligar a Misturadora.

- A BUFFALO não assume qualquer responsabilidade por lesões provocadas pela montagem incorrecta deste aparelho.



Nota: Certifique-se de que os pés estão nivelados para reduzir a vibração durante o funcionamento.

- Retire o aparelho da embalagem.

Como instalar os pés de borracha

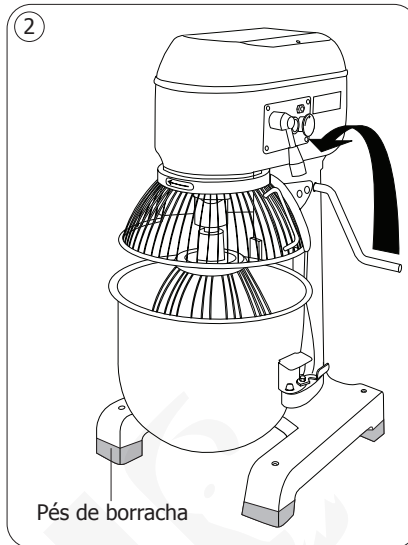
1. Retire todos os materiais de embalagem do aparelho.
2. Retire a paleta de madeira da máquina (Solte os quatro parafusos na parte inferior da paleta de madeira).
3. Retire os pés de borracha da tigela.
4. Fixe os pés de borracha nos pés da máquina.



Nota: São necessárias pelo menos duas pessoas para a instalação dos pés de borracha.



Nota: Após a instalação dos pés de borracha certifique-se de que a máquina está estável.



O tipo dos pés de borracha

			GL190
			GL191
			GJ461

Colocar/retirar a taça

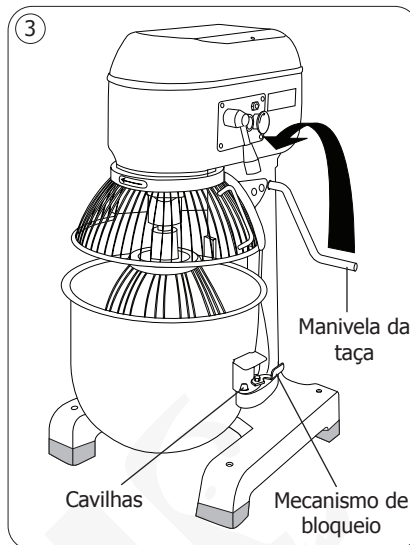
1. Desligue o aparelho.
2. Abra a capa de protecção, rodando-a para a esquerda (GL190 & GL191) ou elevando-a acima da misturadora (GJ461).
3. Baixe a taça com a manivela da taça.
4. Solte os mecanismos de bloqueio em ambos os lados da taça.
5. Levante a taça. A taça é presa no lugar com duas cavilhas que prendem as pegas à estrutura e com o orifício na parte detrás do aparelho onde se encaixa a saliência da taça.
6. Execute estas instruções na ordem inversa para colocar a taça.



Nota: Certifique-se a manivela está totalmente para trás e que a taça está na posição superior, senão a misturadora não funciona.



Nota: Lubrifique regularmente o mecanismo do elevador da bacia para assegurar a operação lisa.



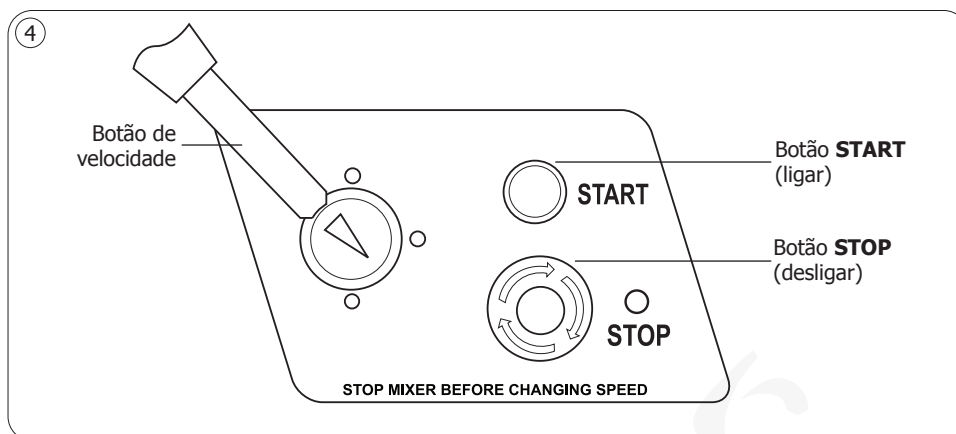
Trocar o utensílio da misturadora

1. Desligue o aparelho.
2. Abra a capa de protecção, rodando-a para a esquerda (GL190 & GL191) ou elevando-a acima da misturadora (GJ461).
3. Baixe a taça com a manivela da taça.
4. Para desencaixar o utensílio da misturadora empurre o mesmo para cima e para a esquerda.
5. Insira o utensílio pretendido. Para colocar o utensílio empurre-o para cima e para a direita.
6. Levante a taça.

A BUFFALO recomenda os seguintes usos para os respectivos utensílios:

	Gancho espiral para massas	Misturas pesadas para massas, bolos de pastelaria, etc.	Velocidades adequadas: 1
	Batedor	Misturas firmes bolos leves, bolos/biscoitos, coberturas, enchidos e legumes	Velocidades adequadas: 1, 2
	Pinha	Misturas leves natas, maionese, claras, panquecas e soufflés	Velocidades adequadas: 1, 2, 3

Disposição dos controlos



Botão START - carregar para iniciar a misturadora.

Botão STOP - carregar para parar a misturadora. Rodar para a direita para soltar e fazer o reset (apenas GJ461).

MANÍPULO DE VELOCIDADE - Usar para ajustar a velocidade da misturadora.

Funcionamento



- **Nota:** Certifique-se de que estas instruções foram lidas atentamente e que o funcionamento do aparelho é compreendido na totalidade, antes da respectiva utilização.
- **Todo o pessoal deve estar devidamente instruído sobre o funcionamento e as precauções de segurança da Misturadora.**

Misturar



AVISO: Antes de pôr as mãos na taça de mistura deve certificar-se de que o aparelho está desligado.

1. Abrir a capa de protecção.
2. Enche a taça.
3. Seleccione a velocidade desejada e feche a capa de protecção.



- **Nota:** a BUFFALO recomenda a utilização da velocidade mais lenta no início e progressivamente, conforme necessário, ir aumentando a velocidade.
- **Certifique que a capa de protecção está totalmente fechada, senão a misturadora não funciona.**

4. Carregue no botão START para começar a misturar o conteúdo.



Nota: Se o aparelho está a forçar a mistura, desligue-o e retire parte do conteúdo da taça, antes de reiniciar a misturadora.

Capacidade de mistura

Modelo	Tamanho da taça	Farinha Maxima	Massa de Pao Maxima
GL190	9L	2kg	3,2kg
GL191	20L	5kg	8kg
GJ461	29L	7.5kg	11,3kg

Mudar a velocidade de mistura



Nota: Parar **SEMPRE** a misturadora antes de alterar a velocidade de mistura.

Com o aparelho desligado:

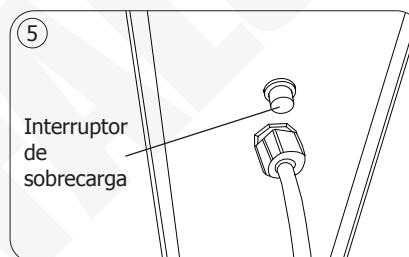
1. Seleccione a velocidade pretendida com o botão de velocidade.
2. Reiniciar o aparelho.

Interruptor de sobrecarga

O interruptor de Sobrecarga está localizado na parte traseira da máquina, ao lado da entrada do cabo (**Nota para GL190:** O interruptor de sobrecarga está na base).

Se o aparelho aquecer demasiado, o interruptor de sobrecarga desliga automaticamente a máquina. Se isso acontecer:

1. Desligue a misturadora.
2. Reduza a quantidade na tigela de mistura.
3. Volte a empurrar o botão de sobrecarga para dentro para fazer o reset.
4. Deixe arrefecer o aparelho durante 20 minutos.



Nota:

- Em caso de corte de energia elétrica, o interruptor de sobrecarga é ativado para evitar que o aparelho se ligue automaticamente quando a energia elétrica for reposta.
- Desligue sempre a Misturadora da rede elétrica quando não estiver a ser utilizada.

Limpeza, cuidados & manutenção

- Deve-se desligar a batedeira e retirar a ficha da tomada antes de fazer limpezas.
- Utilize sempre água com sabão para limpar a taça e o parafuso de mistura. Não utilize químicos de limpeza abrasivos, pois podem deixar restos nocivos.
- Não utilizar máquinas de limpeza a pressão/jacto para limpar o produto.
- Limpe o exterior do aparelho com um pano húmido.
- A BUFFALO recomenda que a lubrificação da corrente e o controle da tensão do cinto seja efectuado anualmente por um agente BUFFALO ou técnico qualificado.
- Limpe o aparelho regularmente.

Resolução de problemas

Se o seu produto BUFFALO apresentar uma falha, consulte a seguinte tabela antes de telefonar à linha de apoio ou ao seu agente BUFFALO.

Problema	Causa provável	A fazer
O aparelho não funciona	O aparelho não está ligado	Verifique a ligação correcta dos cabos e ligue o aparelho
	O botão Stop não se soltou (GJ461)	Para soltar, rode o botão para a direita
	A ficha e o cabo estão danificados	Chame o agente da BUFFALO ou um técnico qualificado
	Fonte de alimentação	Verifique a fonte de alimentação
	O interruptor de sobrecarga foi activado	Consulte as informações sobre o interruptor de sobrecarga na secção "Funcionamento" deste manual
	Capa de protecção não está fechada	Fechar totalmente a capa de protecção
	Aparelho não está a funcionar na velocidade adequada	Escolher a velocidade
	Taça não está totalmente em cima	Certifique que a manivela da taça está totalmente para trás
Não é possível colocar a taça no lugar	As cavilhas ou a área da taça estão obstruídas por restos	Limpe o aparelho
O aparelho sobraquece	A taça de mistura está demasiado cheio	Desligue o aparelho e retire parte do conteúdo
	O aparelho esteve muito tempo ligado	Desligue o aparelho e aguarde 30 minutos para o aparelho arrefecer
O aparelho faz ruído	Tigela ou acessório de mistura não montado corretamente	Retire e volte a colocar a tigela / acessório de mistura
	Rolamentos gastos / engrenagens danificadas	Chame o agente da BUFFALO ou um técnico qualificado
	O lubrificante secou na caixa de engrenagens	Chame o agente da BUFFALO ou um técnico qualificado
A peça de rotação não funciona correctamente	A correia está solta	Chame o agente da BUFFALO ou um técnico qualificado
Não é possível escolher uma velocidade	Os dentes de transmissão não estão alinhados	Desligue o aparelho e com a mão rode ligeiramente a pinha Escolha novamente a velocidade pretendida

Especificações técnicas

Modelo	Voltagem	Alimentação	Corrente	Dimensões a x l x p mm	Pesos	Tamanho da taça
GL190	220-240V 50Hz	550W	1,8A	610 x 395 x 395	36kg	9L
GL191	220-240V 50Hz	1100W	4,7A	794 x 555 x 558	64kg	20L
GJ461	220-240V 50Hz	1500W	6,5A	1142 x 579 x 611	160kg	29L

Cablagem eléctrica

Deve-se utilizar tomadas adequadas para ligar a ficha do aparelho.

O esquema de electricidade deste aparelho é o seguinte:

- Cabo eléctrico (castanho) para o terminal marcado L
- Cabo neutro (azul) para o terminal marcado N
- Cabo terra (verde/amarelo) para o terminal marcado com E

Este aparelho tem de estar ligado à terra.

Consulte um electricista qualificado em caso de dúvidas.

Os pontos eléctricos isolados devem ficar limpos de qualquer obstrução. Estes pontos têm que ser imediatamente acessíveis caso seja necessário desligar a electricidade.

Conformidade

O logótipo WEEE neste produto ou a sua documentação indicam que o produto não deve ser tratado como lixo doméstico. Para ajudar a prevenir possíveis danos para a saúde humana e/ou ambiente, o produto deve ser eliminado de acordo com um processo de reciclagem aprovado e seguro para o ambiente. Para mais informação sobre como eliminar este produto correctamente, contacte o fornecedor do mesmo ou as autoridades locais responsáveis pela eliminação de desperdícios na sua área.



As componentes BUFFALO foram submetidas a testes rigorosos a fim de cumprirem as normas e especificações legais determinadas pelas autoridades internacionais, independentes e nacionais.



Os produtos BUFFALO foram aprovados e trazem o seguinte símbolo:

Todos os direitos reservados. É proibida a reprodução electrónica ou mecânica, ou por qualquer outro meio copiar, guardar em meios digitais ou transmitir a terceiros estas instruções, seja parcialmente ou na sua totalidade, sem a autorização prévia de BUFFALO.

Nós nos esforçamos para que no dia de publicação deste manual todos os pormenores sejam correctos, no entanto, a BUFFALO tem o direito de alterar as especificações sem aviso prévio.

DECLARATION OF CONFORMITY

• Conformanceverklaring • Déclaration de conformité • Konformitätserklärung • Dichiarazione di conformità •
• Declaración de conformidad • Declaração de conformidade

Equipment Type • Uitrustingstype • Type d'équipement • Gerätetyp • Tipo di apparecchiatura • Tipo de equipo • Tipo de equipamento	Model • Modèle • Modell • Modello • Modelo • Malli
Planetary Mixer - 9 Ltr Planetary Mixer - 20Ltr Planetary Mixer - 29Ltr	GL190 (& -E) GL191 (& -E) GJ461 (& -E)
Application of Territory Legislation & Council Directives(s) Toepassing van Europese Richtlijn(en) • Application de la/des directive(s) du Conseil • Anwendbare EU-Richtlinie(n) • Applicazione delle Direttive • Aplicación de la(s) directiva(s) del consejo • Aplicação de directiva(s) do Conselho	<p>Directive 2006/42/EC on machinery Supply of Machinery (Safety) Regulations 2008 EN 454:2014 IEC 60204-1:2016 EN ISO 12100:2010</p> <p>Electro-Magnetic Compatibility (EMC) Directive 2014/30/EU - recast of 2004/108/EC Electromagnetic Compatibility Regulations 2016 (S.I. 2016/1091) EN 55014-1:2017 EN 55014-2:2015 EN IEC 61000-3-2:2019 EN 61000-3-3:2013 +A1:2019</p> <p>Restriction of Hazardous Substances Directive (RoHS) 2015/863 amending Annex II to Directive 2011/65/EU Restriction of the Use of Certain Hazardous Substances in Electrical and Electronic Equipment Regulations 2012 (S.I. 2012/3032)</p>
Producer Name • Naam fabrikant • Nom du producteur • Name des Herstellers • Nome del produttore • Nombre del fabricante • Nome do fabricante	Buffalo

I, the undersigned, hereby declare that the equipment specified above conforms to the above Territory Legislation, Directive(s) and Standard(s).

Ik, de ondergetekende, verklaar hierbij dat de hierboven gespecificeerde uitrusting goedgekeurd is volgens de bovenstaande Richtlijn(en) en Standaard(en).

Je soussigné, confirme la conformité de l'équipement cité dans la présente à la / aux Directive(s) et Norme(s) ci-dessus

Ich, der/die Unterzeichnende, erkläre hiermit, dass das oben angegebene Gerät der/den oben angeführten Richtlinie(n) und Norm(en) entspricht.

Il sottoscritto dichiara che l'apparecchiatura di sopra specificata è conforme alle Direttive e agli Standard sopra riportati.

El abajo firmante declara por la presente que el equipo arriba especificado está en conformidad con la(s) directiva(s) y estándar(es) arriba mencionadas.

Eu, o abaixo-assinado, declaro que o equipamento anteriormente especificado está em conformidade com a(s) anterior(es) Directiva(s) e Norma(s)

Date • Data • Date • Datum • Data •

Fecha • Data

Signature • Handtekening • Signature

• Unterschrift Firma • Firma •

Assinatura

Full Name • Volledige naam • Nom et prénom • Vollständiger Name • Nome completo • Nombre completo • Nome por extenso

Position • Functie • Fonction • Position
• Qualifica • Posición • Função

Producer Address • Adres fabrikant • Adresse du producteur • Anschrift des Herstellers • Indirizzo del produttore • Dirección del fabricante • Morada do fabricante

18th May 2021

DocuSigned by:

Ashley Hooper
B39382C9FD9C478...

Ashley Hooper

Technical & Quality Manager

Fourth Way,
Avonmouth,
Bristol,
BS11 8TB
United Kingdom

DocuSigned by:

Eoghan Donnellan
D352674F7FAB460...

Eoghan Donnellan

Commercial Manager/ Importer

42 North Point Business Park
New Mallow Road
Cork
Ireland





UK	+44 (0)845 146 2887
Eire	
NL	040 – 2628080
FR	01 60 34 28 80
BE-NL	0800-29129
BE-FR	0800-29229
DE	0800 – 1860806
IT	N/A
ES	901-100 133
PT	vendas@nisbets.pt



<http://www.buffalo-appliances.com/> 

GL190-GL191_GJ461_ML_A5_v10_20210520