








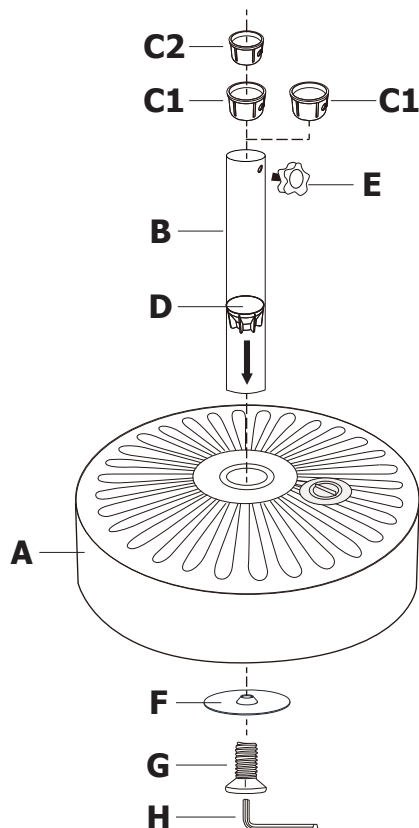
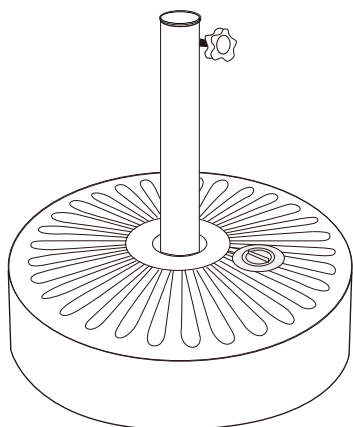


BOLERO

FS231: Parasol base Assembly Instructions

Packed parts

A		1pc	E		1pc
B		1pc	F		1pc
C1		1pc	G		1pc
C2		1pc	H		1pc
D		1pc			



Important! Before assembly, carefully remove all packaging and ensure all parts are present. Please periodically check and tighten assembly.

Note: For parasol pole of diameter 48mm, a single fixer (C1) is used. For parasol pole of diameter 38mm, both fixers (C1 and C2) should be used together.



UK		Fourth Way, Avonmouth, Bristol, BS11 8TB United Kingdom
	+44 (0)845 146 2887	
Eire		42 North Point Business Park, New Mallow Road, Cork, Ireland
NL	040 - 2628080	
FR	01 60 34 28 80	
BE-NL	0800-29129	

BE-FR	0800-29229	
DE	0800 - 1860806	
ES	901-100 133	
PT	vendas@nisbets.pt	
AU	1300 225 960	15 Badgally Road, Campbelltown, 2560, NSW, Australia

FS231_A5_v1_20210922