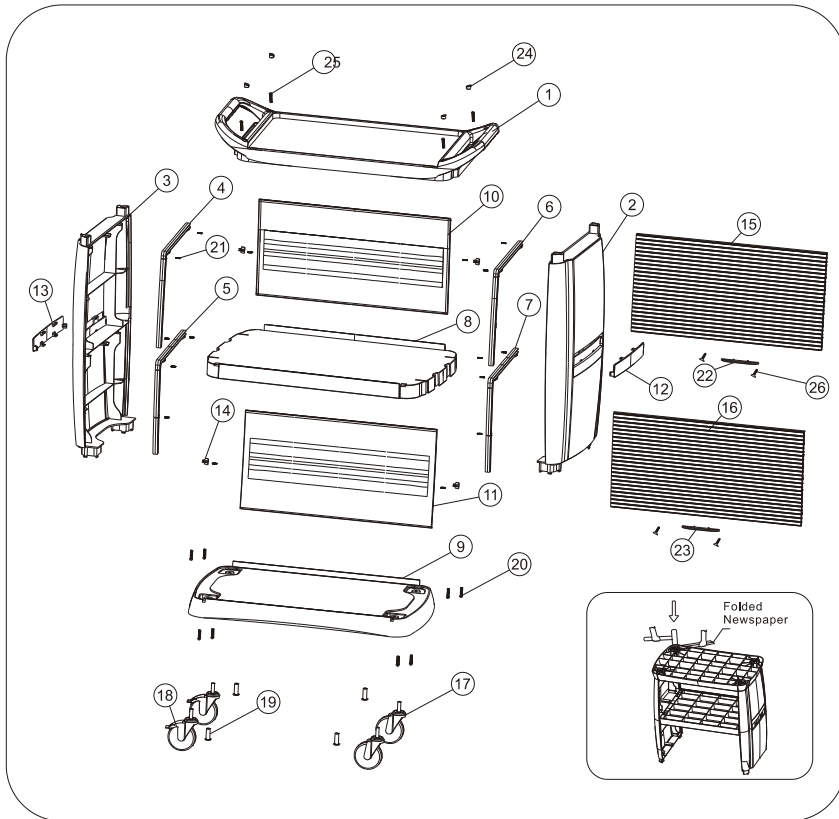




DK737 Vogue PP Trolley - With doors and backboard



S/NO.	COMPONENTS	QTY	S/NO.	COMPONENTS	QTY
1	Upper Panel	1	14	Back Panel Fastener	8
2	Right Side Panel	1	15	Upper Rolling Door	1
3	Left Side Panel	1	16	Bottom Rolling Door	1
4	Upper Left Rail	1	17	Wheel	2
5	Bottom Left Rail	1	18	Wheel with brake	2
6	Upper Right Rail	1	19	Wheel Gum Cover	4
7	Bottom Right Rail	1	20	Ø5X30mm Screw	8
8	Middle Panel	1	21	Ø3X16mm Screw	20
9	Base Panel	1	22	Upper Rolling Door Handle	1
10	Upper Back Panel	1	23	Bottom Rolling Door Handle	1
11	Bottom Back Panel	1	24	Screw Cap	4
12	Right Nameplate	1	25	Ø6X40mm Screw	4
13	Left Nameplate	1	26	Ø3X16mm Screw	4

Pre-installation:

Check whether all parts are present. Take out the Upper, Back, Side, Middle and Base Panels. Assemble starting from the Base Panel, making sure the Lip is at the back of the base and middle panel.

Only use a rubber hammer to aid assembly, a Metal hammer will damage the product.

1. Insert the Side Panels into the Base Panel positioning holes until the fasteners lock. (Using the rubber hammer gently, tap at the location of each hole), then use $\Phi 5 * 30$ mm screws to secure the Side Panels to the bottom.
2. Insert the Back Panel into the slot at back of Base Panel, and then use the Back Panel Fasteners to fix it.
3. Install Middle Panel into the left & right Side Panel positioning holes.
4. Insert the Name Plates into the Side Panel positioning holes.
5. Install the doors inside the rail.
6. Fix the rails on the left, right, upper and bottom. Fix the screws after installing the rails into the slots of Side Panels. Check if the doors run smoothly in the rail. If the doors don't run smoothly, a little vegetable oil can be used.
7. Install the Upper Back Panel (The same as Bottom Back Panel).
8. Install the Upper Panel to the positioning catches of the Side Panels. Ensure the Back Panel and Side Panel locate correctly. Fix the positioning screws, add the screw caps.
9. Use the rubber hammer to install the wheels into the fixed positions. Ensure all components are fixed securely before use and the trolley wheels stand firmly on the ground prior to operation.

