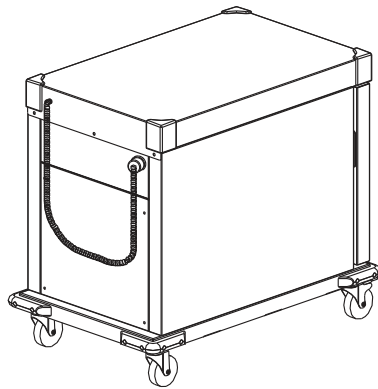
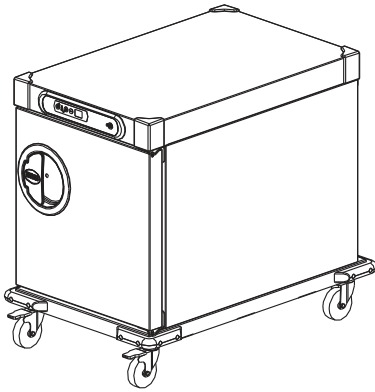


## ROLL'SERVICE\* TEMPERATURE HOLDING BANQUET TROLLEY GN1/1 WITH 5 LEVELS

\* Design registered in the European Union.

### GENERALS CHARACTERISTICS :

- Made of food quality stainless steel with a chromium content greater than 17,5%.
- Rock wool insulation, 70 mm thick for walls and 45 mm thick for the door.
- Inside entirely radiused, with press-drawn sliders and base.
- Door with removable seal opens 270°. Reversible door.
- Wheels Ø 80 mm with stainless steel cover, 2 with brakes.
- Moulded polyethylene bumpers.
- Electronic control thermostat with digital display (range from 30 to 85°C).
- Even heating by means of shielded heating element and centrifugal fan.
- Spiral power cable 3G1,5 with moulded plug + plug support.



### Reference

507 301

loading	5 GN1/1 containers h. 65 mm
Space between sloders (in mm)	71
External dimensions (in mm)	524 x 817 x 708
Internal dimensions (in mm)	330 x 590 x 395
External volume (in m3)	0,303
Internal volume (in m3)	0,077
Weight when empty (in kg)	60
Maximum permissible loading (in kg)	40
Voltage	230 Volts ~ single phase - 50/60 Hz
Appliance classification	I
Protection index	25
Maximale power rating (1) (in W)	825
Average power input (2) (in W)	220
Max. current (in A)	3,7
Power consumption per hour (2) (in KWh)	0,22
Standards	NF EN 60335-1 - NF EN 60335-2-49

(1) corresponds to the power rating in watt on start up of equipment, before control and sizes the electrical connection.

(2) corresponds to an operating cycle of 4h: 2h30min stabilization + 1h30min door opening 15s every 15 minutes for a load of mash potatoes equal to 12% of the internal volume.

