

VOGUE

Vogue 4 Drawer Workstation St/St

Assembly Instructions



Model: CR988

Safety Instructions

- Keep all packaging away from children. Dispose of the packaging in accordance to the regulations of local authorities.
- Whilst all care has been taken to remove sharp edges, care must be taken when cleaning or handling the cupboard to prevent risk of injury from exposed metal edges.
- **Safe working load: 20kgs per drawer**

Product Description

Vogue 4 Drawer Workstation St/St 960(H) x 700(W) x 600(D)mm

Assembly

1. Remove all protective film from the parts, taking care to avoid scratching the surfaces.
2. Turn the unit on its back (Fig. 1).
3. Attach each foot using the plate and bolts supplied (Fig. 2).
4. Turn the unit on its legs (Fig. 3). The unit is now ready for use.



Note: It is recommended that the cupboard is attached to the wall, with suitable fixings (not supplied), using the 2 mounting holes on the back of the upstand.

Cleaning, Care & Maintenance


- Before using for the first time the cupboard should be cleaned thoroughly.
- Clean the cupboard regularly using a cleaning agent suitable for use with stainless steel.
- Always remove cleaning agent residue. This can discolour the surface of the cupboard.
- Never leave the surfaces damp as this can cause discolouration.

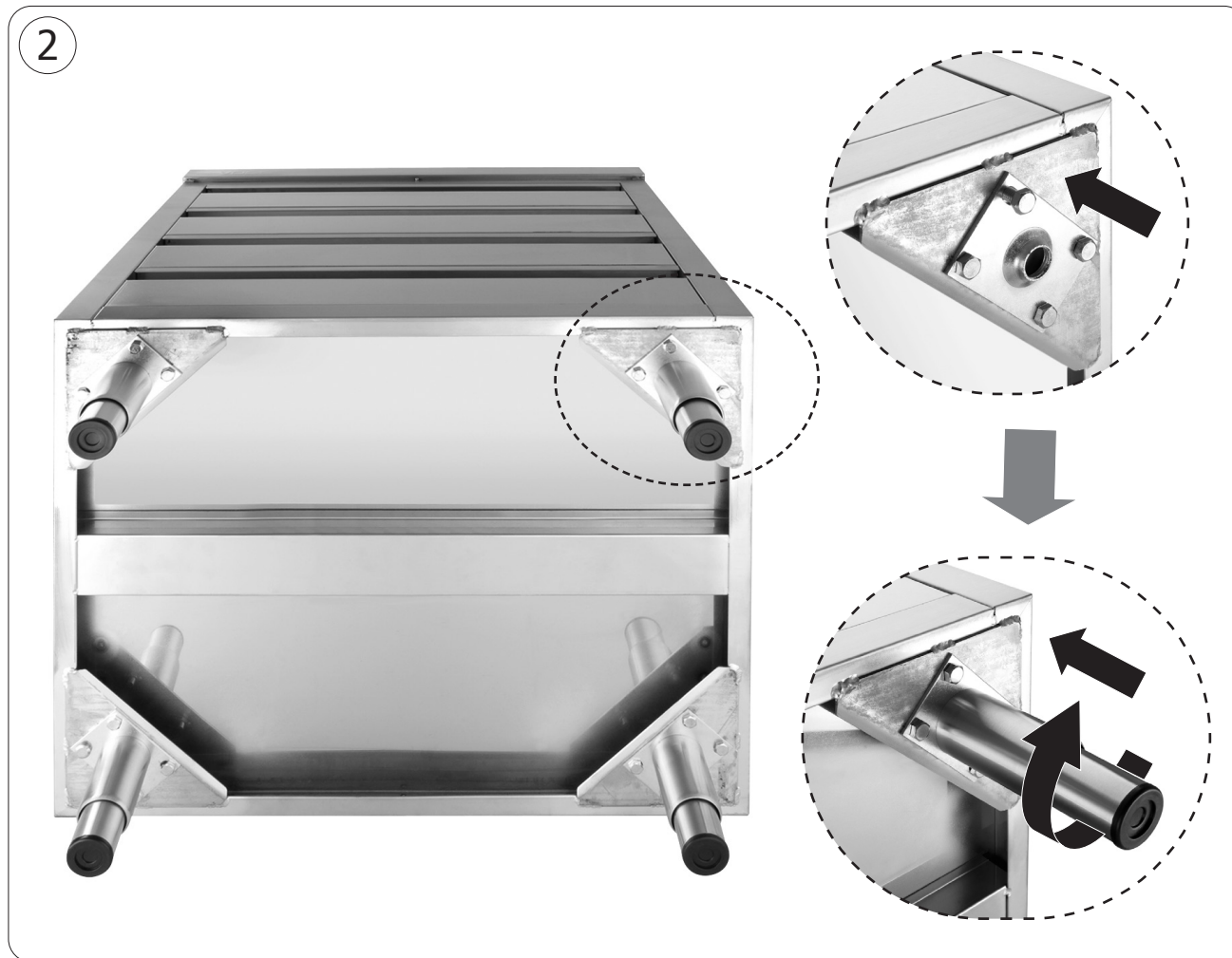
UK		Fourth Way, Avonmouth, Bristol, BS11 8TB United Kingdom
Eire	+44 (0)845 146 2887	Unit 9003, Blarney Business Park, Blarney, Co. Cork, Ireland
NL	040 - 2628080	
FR	01 60 34 28 80	

BE-NL	0800-29129	
BE-FR	0800-29229	
DE	0800 - 1860806	
ES	901-100 133	
AU	1300 225 960	15 Badgally Road, Campbelltown, NSW 2560, Australia

Manual size A4: Back page

	x4
	x4

	x16



CR988_A4_v2_20230327