



# Wine fridge

## Instruction manual



|    |                           |    |    |                                |    |
|----|---------------------------|----|----|--------------------------------|----|
| EN | <b>Wine fridge</b>        | 2  | DE | <b>Weinkühlvitrine</b>         | 26 |
|    | <u>Instruction manual</u> |    |    | <u>Bedienungsanleitung</u>     |    |
| NL | <b>Wijnklimaatkast</b>    | 10 | IT | <b>Refrigeratore per vini</b>  | 34 |
|    | <u>Handleiding</u>        |    |    | <u>Manuale di istruzioni</u>   |    |
| FR | <b>Armoire à vin</b>      | 18 | ES | <b>Refrigerador para vinos</b> | 42 |
|    | <u>Mode d'emploi</u>      |    |    | <u>Manual de instrucciones</u> |    |

**Model • Modèle • Modell • Modello • Modelo • Malli:**  
**CB058**

## Safety Instructions

- Position on a flat, stable surface.
- A service agent/qualified technician should carry out installation and any repairs if required. Do not remove any components or service panels on this product.
- Consult Local and National Standards to comply with the following:
  - Health and Safety at Work Legislation
  - BS EN Codes of Practice
  - Fire Precautions
  - IEE Wiring Regulations
  - Building Regulations
- DO NOT immerse in water, or use steam/jet washers to clean the unit.
- DO NOT cover the appliance when it is operating.
- DO NOT store food in the wine fridge.
- Always carry, store and handle the appliance in a vertical position.
- Never tilt the appliance more than 45° from the vertical.
- This appliance is intended to be used in household and similar applications.
- Keep all packaging away from children. Dispose of the packaging in accordance with the regulations of local authorities.
- If the power cord is damaged, it must be replaced by a POLAR agent or a recommended qualified technician in order to avoid a hazard.
- This appliance can be used by children aged from 8 years and above and persons with reduced physical, sensory or mental capabilities or lack of experience and knowledge if they have been given supervision or instruction concerning use of the appliance in a safe way and understand the hazards involved.

- Children shall not play with the appliance.
- Cleaning and user maintenance shall not be made by children without supervision.
- Polar recommend that this appliance should be periodically tested (at least annually) by a Competent Person. Testing should include, but not be limited to: Visual Inspection, Polarity Test, Earth Continuity, Insulation Continuity and Functional Testing.
- Polar recommend that this product is connected to a circuit protected by an appropriate RCD (Residual Current Device).
- This appliance is intended to be used exclusively for the storage of wine.
- Children aged from 3 to 8 years are allowed to load and unload refrigerating appliances.

**Warning: Risk of Fire / flammable materials**



- The refrigerant gas contained in this appliance is isobutene (R600a), which is low-polluting but flammable.
- Do not store explosive substances such as aerosol cans with a flammable propellant in this appliance.



**Warning: Keep all ventilation openings clear of obstruction. Unit should not be boxed in without adequate ventilation.**

- **Warning:** Do not use mechanical devices or other means to accelerate the defrosting process, other than those recommended by the manufacturer.
- **Warning:** Do not damage the refrigerant circuit.
- **Warning:** Do not use electrical appliances inside the food storage compartments of the appliance.

## Introduction

Please take a few moments to carefully read through this manual. Correct maintenance and operation of this machine will provide the best possible performance from your POLAR product.

## Pack Contents

The following is included:

- Wine fridge
- Instruction manual

POLAR prides itself on quality and service, ensuring that at the time of unpacking the contents are supplied fully functional and free of damage.

Should you find any damage as a result of transit, please contact your POLAR dealer immediately.

## Installation

**Note: Not for use in vans or trailers, food trucks or similar vehicles.**

**Note: If the unit has not been stored or moved in an upright position, let it stand upright for approximately 12 hours before operation. If in doubt allow to stand.**

1. Place the fridge on a floor that is able to support it once fully loaded.
2. Remove the appliance from the packaging and the protective film from all surfaces.
3. Avoid positioning the fridge in direct sunlight or damp areas.
4. To optimize performance and longevity, ensure a minimum clearance of 2.5cm is maintained between the unit and walls and other objects, with a minimum 20cm clearance on the top. **NEVER LOCATE NEXT TO A HEAT SOURCE.**
5. If necessary, adjust the screw legs of the fridge to make it level.

**Note: Before using the appliance for the first time, clean the shelves and interior with soapy water then dry well.**

**WARNING: When positioning the appliance, ensure the supply cord is not trapped or damaged.**

**WARNING: Do not locate multiple portable socket-outlets or portable power supplies at the rear of the appliance.**

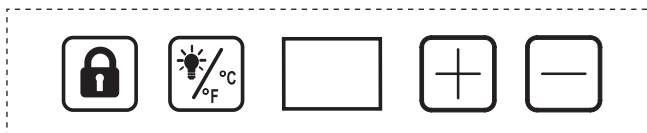
## Operation







**Note: the fridge should be placed in an area where the ambient temperature is between 16-32°C.**

- When using the fridge for the first time, or re-starting it after a long period of time, there may be a few degrees variance between the selected temperature and what is shown on the LED display. Once the fridge has been switched on for a few hours, this should rectify itself.
- If the unit is unplugged, has lost power or been turned off, wait 3 to 5 minutes before restarting the fridge.

## Control panel



|                      |   |  |
|----------------------|---|--|
| Unlock               |  | Press and hold for 2 seconds to unlock   |
| Light /<br>Temp unit |  | Press shortly to turn light on/off;<br>Press and hold to switch between Fahrenheit and Celsius |
| Up                   |  | Press to increase / decrease the temperature   |
| Down                 |  | (Temperature range: 5°C/41°F ~ 18°C/64°F)  |

### Note:

- When the surrounding temperature is 25°C and the wine fridge has no bottle loaded, it will take around 30 minutes to increase the inner temperature from 5°C to 12°C. Under the same circumstance, it will take around 1 hour to decrease the inner temperature from 12°C to 5°C. The less the temperature span is, the less time it will take.
- **It is recommended to set the fridge to 12°C for optimal wine storage.** If the set temperature is higher than 12°C, the energy consumption will be lower. If lower than 12°C, the energy consumption will be higher.

### Automatic locking function

- When all keys keep inactive for 20 seconds, the Up and Down keys will be locked automatically. Whereas, the Light / Temp unit key can operate as normal.
- Press and hold the unlock key to unlock.

### Automatic light off function

When all keys keep inactive for 10 minutes, the light will turn off automatically.

### Display stability

|                         |  |
|-------------------------|--|
| Celsius (°C)<br>mode    | When the temperature measured by the temperature probe is within $\pm 1^{\circ}\text{C}$ of the set temperature, the display will show the set temperature value |
| Fahrenheit (°F)<br>mode | When the temperature measured by the temperature probe is within $\pm 2^{\circ}\text{F}$ of the set temperature, the display will show the set temperature value |

### Forced defrost function

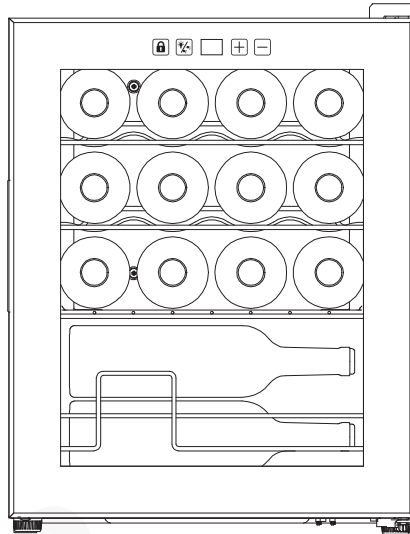
When working every 8 hours, the appliance will start an automatic defrost cycle of about 45 minutes.

### Memory function

With the memory function, all previous settings will be resumed after restarting the appliance.

## Bottle Layout

To achieve the maximum capacity of your wine fridge, the bottles should be laid out as below.



16 bottles (4 in base)



**NB: Bottle capacities are approximate maximums when storing traditional Bordeaux 750ml bottles and include bulk storage.**

## Storing Mixed Bottles

Due to a slight temperature variance between the top and the bottom of the wine fridge, POLAR recommend that bottles of white wine are stored in the bottom of the wine fridge and bottles of red wine at the top.

## To avoid contamination of drink, please respect the following instructions:

- Opening the door for long periods can cause a significant increase of the temperature in the compartments of the appliance.
- If the refrigerating appliance is left empty for long periods, switch it off. Then defrost and clean it thoroughly. Let it dry well and leave the door open to prevent mould developing within the appliance.
- Clean regularly surfaces that can come in contact with drink and accessible drainage systems.
- Only load the appliance when it has reached the correct operating temperature.

## Cleaning, Care & Maintenance

- Always switch off and disconnect the power supply before cleaning.
- Remove all bottles from the appliance.
- Warm, soapy water is recommended for cleaning. Cleaning agents may leave harmful residues.
- Periodically clean the bottom of the wine fridge compartment to remove any build-up of condensation.

**Condensation and ice will form with frequent and prolonged opening of the doors. Operating outside of the recommend temperature range and placing next to a heat source will also increase the amount of ice and internal/external condensation. If external condensation occurs wipe the surface down with a cloth.**

**Excessive ice will result in longer running times that will increase energy consumption and increase the deterioration of components.**

**If the gasket or seal is damaged or deformed, energy consumption will increase. To restore efficiency, replace gasket.**

## Troubleshooting

A qualified technician must carry out repairs if required.

| Fault                                      | Probable Cause  | Solution   |
|--|---|--|
| The appliance is not working               | The unit is not switched on   | Check the unit is plugged in correctly and switched on |
|  | Plug or lead is damaged   | Replace plug or lead                                   |
|  | Fuse in the plug has blown  | Replace the fuse                                       |
|  | Mains power supply fault  | Check mains power supply                               |
| Appliance is noisy or works intermittently | Appliance is not level  | Adjust the feet to level the appliance                 |
| Wine fridge cabinet is not cold enough     | Temperature set incorrectly   | Check temperature and reset if necessary               |
|  | External environment may require colder temperature                                       | Check temperature and reset if necessary               |
|  | The door is opened too often  | Only open when necessary                               |
|  | Door seal is worn   | Consult a qualified technician                         |
| Light is not working                       | Light key is not pressed  | Press the light key                                    |
|  | Bulb has blown  | Consult a qualified technician                         |
| Door will not close properly               | Appliance is not level  | Adjust the feet to level the appliance                 |
|  | Shelves are out of position   | Check all shelves are properly inserted                |
|  | Door seal is dirty  | Wipe clean with a damp cloth                           |
| Error code "EE" on display                 | Temperature probe is short-circuited or disconnected                                      | Consult a qualified technician                         |
| Error code "LL" on display                 | Temperature measured by the temperature probe is lower than 0°C (Display range: 0~37°C)   | Consult a qualified technician                         |
| Error code "HH" on display                 | Temperature measured by the temperature probe is higher than 37°C (Display range: 0~37°C) |  |

## Technical Specifications

Note: Due to our continuing program of research and development, the specifications herein may be subject to change without notice.

| Model | Voltage           | Power | Current | Bottle Capacity | Refrigerant | Temp. Range | Dimensions H x W x D mm | Weight (kg) |
|-------|-------------------|-------|---------|-----------------|-------------|-------------|-------------------------|-------------|
| CB058 | 220-240V~<br>50Hz | 85W   | 0.6A    | 16              | R600a       | 5-18°C      | 560 x 430 x 450         | 17          |

| Model | Suitable ambient temperature |
|-------|------------------------------|
| CB058 | +16°C ~ +32°C                |

### Impact of temperature settings on food waste:

In order to reduce food waste from decomposition or dehydration, this appliance should be operated in its designated operating range.

Optimum temperature for food storage: 12°C

### To order spare parts please contact your Polar Stockist:

<https://www.polar-refrigerator.com/stockist>



### Minimum period of spares parts to be available:

Door handles, door hinges, trays and baskets will be made available for a minimum of seven years after the last unit of the model is placed on the market. A further selection of technical spares will also be available to Professional users for a minimum of seven years. Door gaskets will be made available for a minimum of 10 years.

### Model information can be found on the product database:

<https://eprel.ec.europa.eu/screen/product/refrigeratingappliances2019>



### Model information can be found on the product:

The Model Identifier can usually be found on the inside wall and on the reverse of the unit.

Note: Polar offers a 2 year minimum warranty, please contact the authorised representative for more details.



## Electrical Wiring

POLAR appliances are supplied with a 3 pin BS1363 plug and lead.

The plug is to be connected to a suitable mains socket.

POLAR appliances are wired as follows:

- Live wire (coloured brown) to terminal marked L
- Neutral wire (coloured blue) to terminal marked N
- Earth wire (coloured green/yellow) to terminal marked E

This appliance must be earthed.



If in doubt consult a qualified electrician.

Electrical isolation points must be kept clear of any obstructions. In the event of any emergency disconnection being required they must be readily accessible.

## Disposal

EU regulations require refrigeration product to be disposed of by specialist companies who remove or recycle all gasses, metal and plastic components.

Consult your local waste collection authority regarding disposal of your appliance. Local authorities are not obliged to dispose of commercial refrigeration equipment but may be able to offer advice on how to dispose of the equipment locally.

Alternatively call the POLAR helpline for details of national disposal companies within the EU.

## Compliance

The WEEE logo on this product or its documentation indicates that the product must not be disposed of as household waste. To help prevent possible harm to human health and/or the environment, the product must be disposed of in an approved and environmentally safe recycling process. For further information on how to dispose of this product correctly, contact the product supplier, or the local authority responsible for waste disposal in your area.



POLAR parts have undergone strict product testing in order to comply with regulatory standards and specifications set by international, independent, and federal authorities.



POLAR products have been approved to carry the following symbol:

**All rights reserved. No part of these instructions may be produced or transmitted in any form or by any means, electronic, mechanical, photocopying, recording or otherwise, without the prior written permission of POLAR.**  
**Every effort is made to ensure all details are correct at the time of going to press, however, POLAR reserve the right to change specifications without notice.**

## Veiligheidstips

- Plaatsen op een vlakke en stabiele ondergrond.
- De installatie en eventuele reparaties zijn door een servicetechnicus/vaktechnicus uit te voeren. Verwijder geen componenten of servicepanelen van dit product.
- Raadpleeg en volg de plaatselijke en nationale regelgeving op m.b.t. tot het volgende:
  - Wetgeving van gezondheid en veiligheid op de werkplaats
  - Werkregels
  - Brandpreventie
  - IEE bekabelingsnormen
  - Bouwverordeningen
- Het apparaat NIET in water onderdompelen of met een stoomreiniger/hogedrukspuit reinigen.
- Het apparaat NIET afdekken terwijl het in werking staat.
- GEEN voedingsproducten in de wijnkoeler bewaren.
- Het apparaat altijd rechtovereind dragen, hanteren en opbergen.
- Het apparaat nooit meer dan 45° kantelen.
- Dit apparaat is bedoeld voor gebruik in huishoudelijke en soortgelijke toepassingen.
- Alle verpakkingsmaterialen uit de buurt van kinderen houden. Alle verpakkingsmaterialen in overeenstemming met de voorschriften van de plaatselijke overheden verwijderen.
- Als het stroomsnoer beschadigd is, dient het onmiddellijk vervangen te worden door een vertegenwoordiger van POLAR of een aanbevolen bevoegde monteur om risico te voorkomen.
- Dit apparaat kan worden gebruikt door kinderen vanaf 8 jaar en door personen met verminderde lichamelijke, zintuiglijke of geestelijke capaciteiten of weinig ervaring en kennis, mits zij toezicht of instructie hebben ontvangen aangaande veilig gebruik van het apparaat, en zij de gevaren van het gebruik begrijpen.

- Kinderen zullen niet met het apparaat spelen.
- Schoonmaak en onderhoud gebruiker Mogen niet worden gemaakt door kinderen zonder toezicht.
- Dit apparaat is uitsluitend bedoeld voor het bewaren van wijnflessen.
- POLAR beveelt aan dat dit apparaat periodiek (minstens jaarlijks) door een bevoegde persoon wordt getest. Tests moeten omvatten, maar zijn niet beperkt tot: visuele inspectie, polariteit, aardings continuïteit, isolatie continuïteit en functionele test.
- Kinderen van 3 tot 8 jaar mogen koelapparatuur laden en lossen.

### **Voorzichtig brandgevaar / ontvlambare materialen**



- Het koelgas in dit apparaat is isobuteen (R600a), dat weinig vervuילend en brandbaar is.
- Heeft explosieve stoffen zoals spuitbussen niet slaan met een brandbaar drijfgas in dit apparaat.



**Waarschuwing: Hou alle ventilatieopeningen vrij van obstakels. De eenheid mag niet ingesloten worden zonder geschikte ventilatie.**

- **Waarschuwing:** mechanische apparaten of andere middelen niet gebruiken om het ontdooien te versnellen, met uitzondering van de fabrikant aanbevolen die door.
- **Waarschuwing:** het koelcircuit niet beschadigen.
- **Waarschuwing:** Gebruik geen elektrische apparaten binnen het voedsel opbergvakken van het apparaat.

## Inleiding

Neem de tijd en lees deze handleiding aandachtig door. Een correct gebruik en onderhoud van deze machine waarborgt de beste prestatie van uw POLAR product.

## Verpakkingsinhoud

De verpakking bevat het volgende:

- Wijnkoeler
- Handleiding

POLAR is trots op de haar productkwaliteit en dienstverlening en controleer de inhoud van de verpakkingen, tijdens de verpakkingsfase, op functionaliteit en schade. Mocht u product door transport zijn beschadigd, neem dan onmiddellijk contact op met uw POLAR dealer.

## Installatie

**Opmerking: Niet voor gebruik in bestelwagens of aanhangwagens, foodtrucks of soortgelijke voertuigen.**

**Opmerking: indien het apparaat niet in een rechtopstaande positie is opgeslagen of vervoerd, dient men het product 12 uur vóór gebruik in de rechtopstaande positie te plaatsen. Bij twijfel dient men het product in een rechtopstaande positie te plaatsen.**

1. Plaats de wijnklimaatkast op een ondergrond die het volledige gewicht van de kast kan dragen.
2. Neem het apparaat uit de verpakking en verwijder de beschermende folie van alle oppervlakken.
3. Zet de wijnkoeler niet op een plek met direct zonlicht of veel vocht.
4. Om de prestaties en levensduur te optimaliseren, dient u ervoor te zorgen dat er minimaal 2,5 cm afstand wordt gehouden tussen de unit en muren en andere objecten, met een minimale vrije ruimte van 20 cm aan de bovenkant. **PLAATS NOOIT NAAST EEN WARMTEBRON.**
5. Verstel zonnodig de schroefpoten van de wijnkoeler tot hij waterpas staat.

**Opmerking: Voor het eerste gebruik van dit product dient u de lades en de binnenzijde met zeepwater te reinigen, en daarna goed droogmaken met een droogdoek.**

**Waarschuwing: Let er bij het plaatsen van het apparaat op dat het netsnoer niet bekneld of beschadigd is.**

**Waarschuwing: Plaats niet meerdere draagbare stopcontacten of bruikbare benodigheden.**

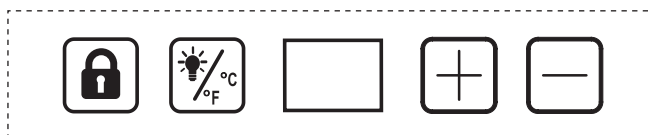
## Bediening







**NB: men dient de wijnklimaatkast te plaatsen op een plek waar de omgevingstemperatuur tussen de 16°C-32°C ligt.**

- Wanneer u de wijnklimaatkast voor de eerste keer gebruikt of deze na een lange periode van stilstaan weer inschakelt, kan er een afwijking van enkele graden zijn tussen de geselecteerde temperatuur en de weergegeven temperatuur. Nadat de kast gedurende enkele uren is ingeschakeld, wordt deze afwijking automatisch gecorrigeerd
- Wanneer de stekker uit het stopcontact is gehaald, er een stroomstoring is geweest of de kast uitgeschakeld is geweest, dient u 3 tot 5 minuten te wachten voordat u de wijnklimaatkast opnieuw inschakelt.

## Bedieningspaneel



|                                |   |   |
|--------------------------------|---|---|
| Ontgrendelen                   |  | Om te ontgrendelen houdt het 2 seconden lang ingedrukt  |
| Licht- /<br>temperatuureenheid |  | Druk er kort op om het licht aan/ uit te zetten;<br>Houdt het ingedrukt om te wisselen tussen Fahrenheit en Celsius |
| Omhoog                         |  | Druk erop om de temperatuur te verhogen/ verlagen   |
| Omlaag                         |  | (temperatuurbereik: 5°C/41°F ~ 18°C/64°F)   |

### Toelichting:

- Als de omgevingstemperatuur 25°C is en de wijnkoelkast geen fles bevat, duurt het ongeveer 30 minuten om de binnentemperatuur van 5°C naar 12°C te verhogen. Onder dezelfde omstandigheden duurt het ongeveer 1 uur om de binnentemperatuur te van 12°C naar 5°C te verlagen. Hoe kleiner het temperatuurbereik, hoe minder tijd het zal kosten.
- Het wordt aanbevolen de koelkast op 12°C in te stellen om zo de wijn optimaal te kunnen bewaren. Als de ingestelde temperatuur hoger dan 12°C is, zal het energieverbruik lager zijn. In geval van lager dan 12°C, zal het energieverbruik hoger zijn.

### Automatische vergrendelingsfunctie

- Wanneer alle toetsen gedurende 20 seconden inactief blijven, worden de toetsen Omhoog en Omlaag automatisch vergrendeld. Terwijl de licht-/ temperatuureenheid toets normaal kan blijven werken.
- Houd de ontgrendelingsknop ingedrukt om te ontgrendelen.

### Automatisch licht uit functie

Wanneer alle toetsen gedurende 10 minuten inactief blijven, gaat het licht automatisch uit.

### Beeldscherm stabiliteit

|                          |   |
|--------------------------|---|
| Celsius (°C)<br>modus    | Wanneer de temperatuur gemeten door de temperatuursonde binnen ±1°C van de ingestelde temperatuur ligt, toont het beeldscherm de ingestelde temperatuurwaarde.  |
| Fahrenheit (°F)<br>modus | Wanneer de temperatuur gemeten door de temperatuursonde binnen ± 2°F van de ingestelde temperatuur ligt, toont het beeldscherm de ingestelde temperatuurwaarde. |

### Geforceerde ontdooifunctie

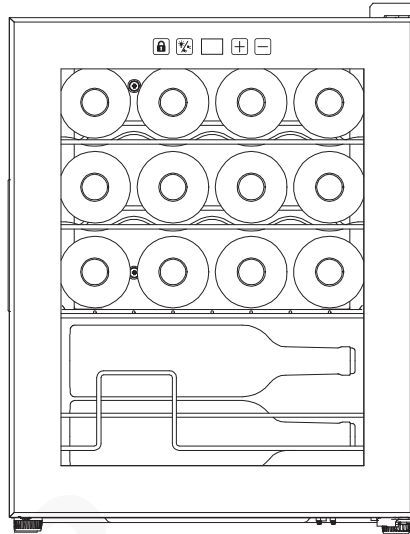
Wanneer het apparaat om de 8 uur werkt, zal het een automatische ontdooicyclus van ongeveer 45 minuten starten.

### Geheugenfunctie

Met de geheugenfunctie worden alle vorige instellingen hervat nadat het apparaat opnieuw is opgestart.

## Plaatsing van de flessen

Om de maximale capaciteit van uw wijnkoelkast te bereiken, moeten de flessen als volgt worden neergelegd.



16 flessen (4 als basis)



**NB: de maximale capaciteit is gebaseerd op flessen Bordeaux van 750ml.**

## Gemengde flessen opbergen

Daar er een klein temperatuurverschil is tussen de bovenzijde en de onderzijde van de wijnkoeler, raadt POLAR u aan om flessen witte wijn onder in en flessen rode wijn boven in de wijnkoeler te plaatsen.

## Volg de instructies om besmetting van voedsel te voorkomen:

- Het langdurig openen van de deur kan de temperatuur in de compartimenten van het apparaat aanzienlijk verhogen.
- Als het koelapparaat lange tijd leeg blijft, schakel het dan uit. Ontdooi het en maak het grondig schoon. Laat het goed drogen en laat de deur open om schimmelvorming in het apparaat te voorkomen.
- Reinig regelmatig oppervlakken die in contact komen met voedsel en toegankelijke afvoersystemen.
- Laad het apparaat pas als het de juiste bedrijfstemperatuur heeft bereikt.

## Reiniging, verzorging en onderhoud

- Altijd het apparaat uitzetten en de stekker uit het stopcontact verwijderen alvorens het te reinigen.
- Alle flessen uit het apparaat verwijderen.
- Het wordt aanbevolen het apparaat met warm zeepwater te reinigen. Reinigingsmiddelen kunnen schadelijke resten achterlaten.
- De onderzijde van het koelvak dient periodiek gereinigd te worden om condensatiewater te verwijderen.

**Bij veelvuldig en langdurig openen van de deuren zal zich condens en ijs vormen. Gebruik buiten het aanbevolen temperatuurbereik en plaatsing naast een warmtebron zal ook de hoeveelheid ijs en interne/externe condensatie doen toenemen. In geval van externe condensatie kunt u het oppervlak afvegen met een doek.**

**Te veel ijs leidt tot langere bedrijfstijden, waardoor het energieverbruik toeneemt en de onderdelen slechter worden.**

**Als de pakking of afdichting beschadigd of vervormd is, zal het energieverbruik toenemen. Vervang de pakking om de efficiëntie te herstellen.**

## Oplossen van problemen

Indien nodig moet een gekwalificeerde technicus reparaties uitvoeren.

| Probleem  | Mogelijke oorzaak  | Handeling   |
|---|--|---|
| Het apparaat werkt niet                         | Het apparaat staat uit   | Controleer of de stroomkabel van het apparaat is aangesloten en of het apparaat is ingeschakeld |
|   | Stekker en kabel zijn beschadigd   | Vervang stekker of kabel  |
|   | Storing netvoeding   | Controleer netvoeding   |
| Het apparaat maakt lawaai of valt af en toe uit | Het apparaat staat niet waterpas   | Verstel de voetjes om het apparaat waterpas te zetten   |
| De wijnkoelkast is niet koud genoeg             | De temperatuur is verkeerd ingesteld   | Controleer de temperatuur en verstel deze zonodig   |
|   | In sommige omgevingen moet de temperatuur lager ingesteld worden                           | Controleer de temperatuur en verstel deze zonodig   |
|   | De deur wordt te vaak geopend  | Open de deur alleen wanneer dit nodig is  |
|   | De deurzegel is versleten  | Raadpleeg een gekwalificeerde technicus   |
| Het lampje werkt niet                           | De lichttoets is niet ingedrukt  | Druk op de lichttoets   |
|   | Het lampje is doorgebrand  | Raadpleeg een gekwalificeerde technicus   |
| De deuren sluiten niet goed                     | Het apparaat staat niet waterpas   | Verstel de voetjes om het apparaat waterpas te zetten   |
|   | De rekken zijn verkeerd ingeschoven  | Controleer of alle rekken goed ingeschoven zijn   |
|   | De deurzegel is vuil   | Maak de deurzegel schoon met een vochtige doek  |
| Foutcode "EE" op beeldscherm                    | Foutcode "EE" op beeldscherm De temperatuursonde is kortgesloten of losgekoppeld           | Raadpleeg een gekwalificeerde technicus   |
| Foutcode "LL" op beeldscherm                    | Temperatuur gemeten door de temperatuursonde is lager dan 0°C (Weergavebereik: 0~37°C)     | Raadpleeg een gekwalificeerde technicus   |
| Foutcode "HH" op beeldscherm                    | De door de temperatuursonde gemeten temperatuur is hoger dan 37°C (Weergavebereik: 0~37°C) |   |

## Technische specificaties

Opmerking: Als gevolg van ons voortdurende programma van onderzoek en ontwikkeling, kunnen de specificaties hierin zonder voorafgaande kennisgeving worden gewijzigd.

| Model | Voltage           | Vermogen | Stroom | Aantal flessen | Koelmiddel | Temp. bereik | Afmetingen h x b x d mm | Gewicht (kg) |
|-------|-------------------|----------|--------|----------------|------------|--------------|-------------------------|--------------|
| CB058 | 220-240V~<br>50Hz | 85W      | 0,6A   | 16             | R600a      | 5-18°C       | 560 x 430 x 450         | 17           |

| Model | De juiste omgevingstemperatuur |
|-------|--------------------------------|
| CB058 | +16°C ~ +32°C                  |

### Effect van temperatuurinstellingen op voedselverspilling:

Om voedselverspilling door ontbinding of uitdroging te beperken, moet dit apparaat binnen het aangewezen werkbereik worden gebruikt.

Optimale temperatuur voor het bewaren van voedsel: 12°C

### Neem contact op met uw Polar-dealer om reserveonderdelen te bestellen:

<https://www.polar-refrigerator.com/stockist>



### Minimumpriode voor de beschikbaarheid van reserveonderdelen:

Deurkrukken, deurscharnieren, rekken en mandjes zullen beschikbaar worden gesteld gedurende minimaal zeven jaar nadat de laatste eenheid van het model op de markt is gebracht. Een verdere selectie van technische reserveonderdelen zal eveneens gedurende minstens zeven jaar beschikbaar zijn voor professionele gebruikers. De deurpakkingen zullen gedurende minimaal 10 jaar beschikbaar zijn.

### Modelinformatie vindt u in de productdatabase:

<https://eprel.ec.europa.eu/screen/product/refrigeratingappliances2019>



### Modelinformatie vindt u op het product:

De modelaanduiding staat meestal op de binnenwand en op de achterkant van het toestel.

Toelichting: Polar biedt een garantie van minimaal 2 jaar. Neem voor meer informatie contact op met de bevoegde vertegenwoordiger.



## Elektrische bedrading

Men dient de stekker op een geschikt stopcontact aan te sluiten.

De bedrading van dit apparaat is als volgt:

- Stroomkabel (bruin) naar de aansluitklem gemarkeerd met L
- Neutraalkabel (blauw) naar de aansluitklem gemarkeerd met N
- Aardkabel (groen/geel) naar de aansluitklem gemarkeerd met E



Dit apparaat moet worden geaard.

Bij twijfels raadpleeg een vakkundige elektricien.

De elektrische isolatiepunten mogen niet worden geblokkeerd. In geval van een nooduitschakeling moeten de isolatiepunten direct toegankelijk zijn.

## Afvalverwerking

De EU-richtlijnen vereisen dat koelproducten door gespecialiseerde bedrijven wordt verwerkt die gassen, metalen en plastic componenten verwijderen of recyclen.

Raadpleeg uw plaatselijke afvalverwerkingsbedrijf voor informatie over de afvalverwerking van uw apparaat. De plaatselijke overheden zijn niet verplicht om koelingsproducten van bedrijven als afval te verwerken maar kunnen uw informeren waar u het apparaat kunt afgeven.

U kunt ook de Polar helpline bellen voor informatie over landelijke afvalverwerkingsbedrijven in de EU.

## Productconformiteit

Het WEEE-logo op dit product of bijbehorende documentatie geeft aan dat het product niet onder huisvuil valt en als zodanig ook niet mag worden verwerkt. Ter preventie van mogelijke gevaren voor de gezondheid van personen en/of voor het milieu, dient men dit product in overeenstemming met het voorgeschreven en milieuveilige recyclingproces als afval te verwerken. Raadpleeg uw productleverancier of uw plaatselijk afvalverwerkingsbedrijf voor meer informatie over de juiste afvalverwerking van dit product.



De onderdelen van Polar producten hebben strenge producttesten ondergaan om te voldoen aan wettelijke regels en specificaties die door internationale, onafhankelijke en landelijke overheden worden voorgeschreven.

Polar producten zijn goedgekeurd en voorzien van het volgende symbool:



**Alle rechten voorbehouden. Het is verboden om deze handleiding, hetzij volledig of gedeeltelijk, elektronisch of mechanisch te reproduceren, kopiëren, op opslagmedia op te slaan of op enigerlei wijze over te dragen, zonder voorafgaande goedkeuring van Polar.**

**Wij hebben er alles aan gedaan om er zeker van te zijn dat op publicatiedatum van de handleiding alle details correct zijn, desondanks, behoudt Polar het recht voor om specificaties zonder aankondiging te wijzigen.**

## Conseils de sécurité

- Placez l'appareil sur une surface plane, stable.
- L'installation et les éventuelles réparations doivent être confiées à un dépanneur / technicien qualifié. Ne retirez aucun composant ou cache de ce produit.
- Consultez les normes locales et nationales pour vous conformer aux :
  - lois sur l'hygiène et la sécurité au travail ;
  - codes de bonnes pratiques BS EN ;
  - précautions contre le risque d'incendie ;
  - réglementations sur les branchements électriques IEE ;
  - règlements sur la construction.
- NE PAS immerger dans l'eau ou utiliser de dispositifs de lavage à la vapeur / jet d'eau pour nettoyer l'appareil.
- NE PAS couvrir l'appareil lorsqu'il fonctionne.
- NE PAS entreposer d'aliments dans l'armoire à vin.
- Toujours transporter, entreposer et manipuler l'appareil dans une position verticale.
- Ne jamais incliner l'appareil de plus de 45° par rapport à la verticale.
- Cet appareil est destiné à un usage domestique et autres usages similaires.
- Conserver tous les emballages hors de la portée des enfants. Jeter les emballages conformément aux réglementations des autorités locales.
- En cas d'endommagement du cordon d'alimentation, ce dernier doit être remplacé par un agent POLAR ou un technicien agréé recommandé afin d'éviter tout risque.
- Les enfants ne doivent pas jouer avec l'appareil.
- Nettoyage et entretien de l'utilisateur ne peut être faite par des enfants sans surveillance.

- Cet appareil peut être utilisé par des enfants de 8 ans et plus et des personnes ayant des capacités physiques, sensorielles ou mentales réduites ou manquant d'expérience et de savoirfaire sous réserve qu'elles soient sous la surveillance d'une personne ou aient reçu des instructions concernant l'utilisation de l'appareil en toute sécurité et qu'elles comprennent les dangers que l'appareil présente.
- Polar recommande de faire tester régulièrement cet appareil (une fois par an au minimum) par une personne compétente. Le test devrait inclure, entre autres : inspection visuelle, test de polarité, la continuité de masse, test d'isolation et test de fonctionnement.
- Cet appareil est exclusivement conçu pour entreposer du vin.
- Les enfants âgés de 3 à 8 ans sont autorisés à charger et décharger les appareils frigorifiques.

### **Attention : Risque d'incendie / matériaux inflammables**



- Le gaz réfrigérant contenu dans cet appareil est de l'isobutène (R600a), un gaz peu polluant mais inflammable.
- Ne stockez pas de substances explosives telles que les aérosols avec un propulseur inflammable dans cet appareil.



**Attention : Évitez de bloquer toutes les ouvertures d'aération. L'unité ne doit pas être mise dans un box dans aération adéquate.**

- **Attention** : Ne pas utiliser de dispositifs mécaniques ou autres moyens pour accélérer le processus de dégivrage, autre que le fabricant recommandé Ceux par.
- **Attention** : Ne pas endommager le circuit frigorifique.
- **Attention** : Ne pas utiliser d'appareils électriques à l'intérieur des compartiments de stockage des aliments de l'appareil.

## Introduction

Nous vous invitons à consacrer quelques instants à la lecture attentive de ce mode d'emploi. L'entretien et l'utilisation appropriés de cette machine vous permettront de tirer le meilleur de votre produit POLAR.

## Contenu de l'emballage

Les éléments suivants vous sont fournis de série :

- Armoire à vin
- Mode d'emploi

POLAR attache une grande importance à la qualité et au service et veille à fournir des produits en parfait état opérationnel, parfaitement intacts au moment de l'emballage.

Nous vous prions de contacter votre revendeur POLAR immédiatement si vous constatez un dommage quelconque survenu pendant le transport du produit.

## Installation

**Remarque : Ne pas utiliser dans des camionnettes ou des semi-remorques, dans des camions-restaurants ou véhicules similaires.**

**Remarque : dans les cas où l'appareil a été stocké ou déplacé autrement qu'à la verticale, placez-le en position debout pendant environ 12 heures avant de vous en servir. En cas de doute, laissez l'appareil se reposer.**

1. Placez l'armoire sur un sol capable de supporter son poids en pleine charge.
2. Retirer l'emballage et le film de protection de toutes les surfaces de l'appareil.
3. Évitez de placer l'armoire à vin à la lumière directe du soleil ou dans des zones humides.
4. Pour optimiser les performances et la longévité, assurez-vous qu'un dégagement minimum de 2,5 cm est maintenu entre l'unité et les murs et autres objets, avec un dégagement minimum de 20 cm sur le dessus. **NE JAMAIS PLACER À PROXIMITÉ D'UNE SOURCE DE CHALEUR.**
5. Le cas échéant, régler les pieds à vis de l'armoire à vin pour la mettre de niveau.

**Remarque : Avant d'utiliser l'appareil pour la première fois, nettoyez les tablettes et l'intérieur à l'eau savonneuse puis séchez bien.**

**ATTENTION : Quand vous installez l'appareil, assurez-vous que le cordon d'alimentation n'est pas coincé ou endommagé.**

**ATTENTION : Ne placez pas de multiprises ou de blocs d'alimentation portatifs à l'arrière de l'appareil.**

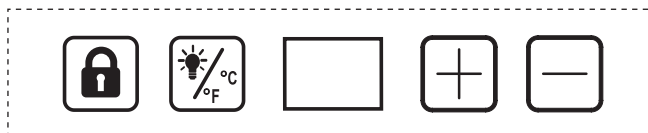
## Fonctionnement



**Remarque : l'armoire doit être positionnée dans un endroit où la température ambiante est comprise entre 16°C et 32°C.**

- Lors de la première utilisation de l'armoire, ou d'un redémarrage après une longue période d'inactivité, il pourra y avoir une légère différence entre la température sélectionnée et la température affichée à l'écran. Le problème devrait se résoudre après quelques heures.
- Si l'armoire est débranchée, a subi une coupure de courant ou a été mise hors tension, patientez 3 à 5 minutes avant de la redémarrer.

## Panneau de contrôle



|                                |  |   |
|--------------------------------|--|---|
| Déverrouiller                  |  | Appuyez et maintenez pendant 2 secondes pour déverrouiller  |
| Unité de lumière / température |  | Appuyez brièvement pour allumer/éteindre la lumière ; Appuyez et maintenez pour passer de Fahrenheit à Celsius. |
| Haut                           |  | Appuyez pour augmenter/diminuer la température  |
| Bas                            |  | (Plage de température : 5°C/41°F - 18°C/64°F)   |

### Remarque :

- Lorsque la température ambiante est de 25°C et que le réfrigérateur à vin n'a pas de bouteille chargée, il faut environ 30 minutes pour augmenter la température intérieure de 5°C à 12°C. Dans les mêmes circonstances, il faudra environ 1 heure pour faire baisser la température intérieure de 12°C à 5°C. Plus l'écart de température est faible, moins il faudra de temps.
- **Il est recommandé de régler le réfrigérateur à 12°C pour une conservation optimale du vin.** Si la température réglée est supérieure à 12°C, la consommation d'énergie sera plus faible. Si elle est inférieure à 12°C, la consommation d'énergie sera plus élevée.

### Fonction de verrouillage automatique

- Lorsque toutes les touches restent inactives pendant 20 secondes, les touches Haut et Bas sont automatiquement verrouillées. Par contre, la touche de l'unité Lumière/Température peut fonctionner normalement.
- Appuyez et maintenez la touche de déverrouillage pour déverrouiller.

### Fonction d'extinction automatique de la lumière

Lorsque toutes les touches restent inactives pendant 10 minutes, la lumière s'éteint automatiquement.

### Stabilité de l'affichage

|                      |  |
|----------------------|--|
| Mode Celsius (°C)    | Lorsque la température mesurée par la sonde de température se situe dans une fourchette de $\pm 1^\circ\text{C}$ de la température réglée, l'écran affiche la valeur de la température réglée. |
| Mode Fahrenheit (°F) | Lorsque la température mesurée par la sonde de température se situe dans une fourchette de $\pm 2^\circ\text{F}$ de la température réglée, l'écran affiche la valeur de la température réglée. |

### Fonction de dégivrage forcé

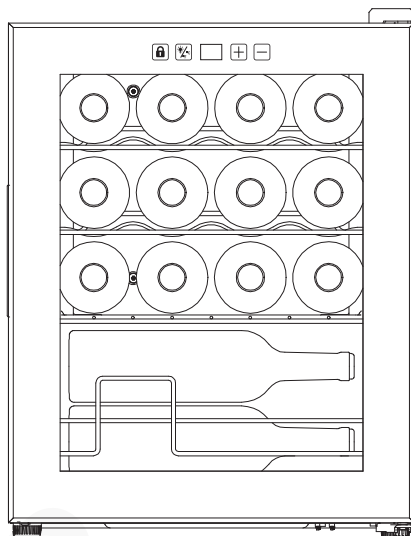
En cas de fonctionnement toutes les 8 heures, l'appareil lance un cycle de dégivrage automatique d'environ 45 minutes.

### Fonction de mémoire

Grâce à la fonction mémoire, tous les réglages précédents seront repris après le redémarrage de l'appareil.

## Disposition des bouteilles

Pour obtenir la capacité maximale de votre réfrigérateur à vin, les bouteilles doivent être disposées comme ci-dessous.



16 bouteilles (4 dans la base)



**NB : Le nombre de bouteilles indiqué correspond à une estimation de la capacité d'entreposage maximum de bouteilles de Bordeaux traditionnelles de 750 ml, y compris la conservation en vrac.**

## Entreposage de bouteilles mixtes

En raison de la légère différence de température entre le haut et le bas de l'armoire à vin, POLAR recommande de placer les bouteilles de vin blanc en bas de l'armoire à vin et les bouteilles de vin rouge en haut.

## Pour éviter la contamination des aliments, veuillez respecter les instructions suivantes :

- Laisser la porte ouverte trop longtemps peut causer une hausse significative de la température dans les compartiments de l'appareil.
- Si l'appareil de réfrigération reste vide sur de longues périodes, éteignez-le, puis dégivrez-le et nettoyez-le soigneusement. Laissez-le sécher totalement puis laissez la porte ouverte pour éviter la formation de moisissures dans l'appareil.
- Nettoyez régulièrement les surfaces qui sont en contact avec les aliments et les systèmes d'évacuation d'eau accessibles.
- Ne chargez l'appareil que lorsqu'il a atteint la température de fonctionnement correcte.

## Nettoyage, entretien et maintenance

- Toujours mettre hors tension et débrancher la source d'alimentation avant tout nettoyage.
- Retirer toutes les bouteilles de l'appareil.
- Il est recommandé de le nettoyer avec de l'eau savonneuse chaude. Les autres produits nettoyants peuvent laisser des résidus dangereux.
- Nettoyer régulièrement le fond du compartiment de l'armoire à vin afin d'éliminer toute accumulation de condensation.

**L'ouverture fréquente et prolongée des portes entraîne la formation de condensation et de glace.**

**Le fait de faire fonctionner l'appareil en dehors de la plage de température recommandée et de le placer à côté d'une source de chaleur augmente également la quantité de glace et de condensation interne/externe. En cas de condensation externe, essuyez la surface avec un chiffon.**

**Une quantité excessive de glace entraînera des temps de fonctionnement plus longs qui augmenteront la consommation d'énergie et la détérioration des composants.**

**Si le joint ou la garniture est endommagé ou déformé, la consommation d'énergie augmentera. Pour rétablir l'efficacité, remplacez le joint d'étanchéité.**

## Dépannage

Un technicien qualifié doit effectuer les réparations si nécessaire.

| Dysfonctionnement   | Cause probable  | Intervention  |
|---|---|---|
| L'appareil ne fonctionne pas                                | L'appareil n'est pas allumé   | Vérifier que l'appareil est bien branché et allumé          |
|   | La prise et le cordon sont endommagés   | Remplacez la fiche ou le câble                              |
|   | Défaut d'alimentation secteur   | Vérifier l'alimentation secteur                             |
| L'appareil est bruyant ou fonctionne par intermittence      | L'appareil n'est pas de niveau  | Régler les pieds pour le mettre de niveau                   |
| L'intérieur de l'armoire à vin n'est pas suffisamment froid | La température n'est pas réglée correctement  | Vérifier la température et la régler, le cas échéant        |
|   | L'environnement externe peut nécessiter une température inférieure                                    | Vérifier la température et la régler, le cas échéant        |
|   | La porte est trop souvent ouverte   | Ne l'ouvrir que lorsque cela est nécessaire                 |
|   | Le joint de la porte est usé  | Consulter un technicien qualifié                            |
| L'éclairage ne fonctionne pas                               | La touche de lumière n'est pas appuyée  | Appuyez sur la touche de lumière                            |
|   | L'ampoule est grillée   | Consulter un technicien qualifié                            |
| Les portes ne ferment pas correctement                      | L'appareil n'est pas de niveau  | Régler les pieds pour le mettre de niveau                   |
|   | Les étagères ne sont pas dans la bonne position   | Vérifier que toutes les étagères sont correctement insérées |
|   | Le joint de la porte est sale   | Essuyer le joint avec un chiffon humide                     |
| Code d'erreur « EE » sur l'écran                            | La sonde de température est court-circuitée ou déconnectée  | Consulter un technicien qualifié                            |
| Code d'erreur « LL » sur l'écran                            | La température mesurée par la sonde de température est inférieure à 0°C (Plage d'affichage : 0~37°C)  | Consulter un technicien qualifié                            |
| Code d'erreur « HH » sur l'écran                            | La température mesurée par la sonde de température est supérieure à 37°C (Plage d'affichage : 0~37°C) |   |

## Spécifications techniques

Remarque : en raison de notre programme continu de recherche et de développement, les spécifications du présent document peuvent être modifiées sans préavis.

| Modèle | Tension           | Plage de | Intensité | Capacité en bouteilles | Agent réfrigérant | Plage de températures | Dimensions h x l x p mm | Poids (kg) |
|--------|-------------------|----------|-----------|------------------------|-------------------|-----------------------|-------------------------|------------|
| CB058  | 220-240V~<br>50Hz | 85W      | 0,6A      | 16                     | R600a             | 5-18°C                | 560 x 430 x 450         | 17         |

| Modèle | Température ambiante appropriée |
|--------|---------------------------------|
| CB058  | +16°C ~ +32°C                   |

### Impact des réglages de la température sur les déchets alimentaires :

Afin de réduire la décomposition ou la déshydratation des déchets alimentaires, cet appareil doit être utilisé dans la plage de fonctionnement prévue.

La température maximale pour conserver la nourriture est de 12°C

### Pour commander les pièces de rechange, veuillez contacter le Stockist Polar:

<https://www.polar-refrigerator.com/stockist>



### Durée minimale pour la réception des pièces de rechange:

Les poignées de porte, les charnières de porte, les plateaux et les paniers seront disponibles pendant un minimum de sept ans après la mise sur le marché du dernier appareil du modèle. Une autre sélection de pièces de rechange techniques sera également disponible pour les utilisateurs professionnels pendant un minimum de sept ans. Les joints de porte seront disponibles pendant un minimum de 10 ans.

### L'information sur le modèle est disponible dans la base de données du produit:

<https://eprel.ec.europa.eu/screen/product/refrigeratingappliances2019>



### L'information sur le modèle est disponible sur le produit.

L'identifiant du modèle se trouve généralement sur la paroi intérieure et au dos de l'appareil.

Remarque : Polar offre une garantie minimale de 2 ans, veuillez contacter le représentant agréé pour plus de détails.



## Raccordement électrique

La prise doit être reliée à la prise secteur qui convient.

Cet appareil est câblé comme suit :

- Fil conducteur (brun) à la borne marquée L
- Fil neutre (bleu) à la borne marquée N
- Fil de terre (vert / jaune) à la borne marquée E

Cet appareil doit être mis à la terre.



En cas de doute, consultez un électricien qualifié.

Les points d'isolation électrique doivent être libres de toute obstruction. En cas de débranchement requis en urgence, ils doivent être facilement accessibles.

## Mise au rebut

Les règlements de l'UE exigent que les produits munis de réfrigérants soient mis au rebut par des entreprises spécialisées, équipées pour extraire et recycler les composants à gaz, métalliques et en plastique.

Adressez-vous à votre autorité chargée de la collecte des déchets pour ce qui concerne la mise au rebut de votre appareil. Même si rien n'oblige les autorités locales à se charger de la mise au rebut du matériel de réfrigération commerciale, elles pourraient être en mesure de vous conseiller sur les moyens disponibles localement pour s'en débarrasser.

Vous pouvez aussi appeler le standard d'assistance POLAR, qui saura vous renseigner sur les entreprises de prise en charge nationales au sein de l'UE.

## Conformité

Le logo WEEE qui figure sur ce produit ou sa documentation indique qu'il ne doit pas être mis au rebut avec les ordures ménagères. Pour éviter qu'il ne présente un risque pour la santé humaine et / ou écologique, confiez la mise au rebut de ce produit à un site de recyclage agréé respectueux de l'environnement. Pour de plus amples détails sur la mise au rebut appropriée de ce produit, contactez le fournisseur du produit ou l'autorité responsable de l'enlèvement des ordures dans votre région.



Les pièces POLAR ont été soumises à des tests rigoureux pour pouvoir être déclarées conformes aux normes et spécifications réglementaires définies par les autorités internationales, indépendantes et fédérales.



Les produits POLAR ont été déclarés aptes à porter le symbole suivant :

**Tous droits réservés. La production ou transmission, partielles ou intégrales, sous quelque forme que ce soit ou par n'importe quel moyen, tant électronique que mécanique, sous forme de photocopie, d'enregistrement ou autre de ce mode d'emploi sont interdites sans l'autorisation préalablement accordée par POLAR.**

**Nous nous efforçons, par tous les moyens dont nous disposons, de faire en sorte que les détails contenus dans le présent mode d'emploi soient corrects en date d'impression. Toutefois, POLAR se réserve le droit de changer les spécifications de ses produits sans préavis.**

## Sicherheitshinweise

- Auf eine flache, stabile Fläche stellen.
- Alle erforderlichen Montage- und Reparaturarbeiten sollten von Wartungspersonal oder einem qualifizierten Techniker durchgeführt werden. Keine Bauteile oder Bedienflächen von diesem Produkt entfernen.
- Für folgende Normen und Vorschriften sind die lokalen und nationalen Normen heranzuziehen:
  - Arbeitsschutzvorschriften
  - BS EN Verhaltenspraktiken
  - Brandschutzvorschriften
  - IEE-Anschlussvorschriften
  - Bauvorschriften
- NICHT in Wasser eintauchen oder mit Dampf-/Strahlreinigern reinigen.
- Gerät während des Betriebs NICHT bedecken.
- KEINE Nahrungsmittel im Weinkühler aufbewahren.
- Gerät stets senkrecht tragen, lagern und transportieren.
- Das Gerät nicht mehr als 45° kippen.
- Dieses Gerät ist für den Einsatz im Haushalt und in ähnlichen Anwendungen vorgesehen.
- Verpackungsmaterial außerhalb der Reichweite von Kindern aufbewahren und gemäß den lokalen Vorschriften entsorgen.
- Aus Sicherheitsgründen muss ein beschädigtes Stromkabel von einem POLAR-Mitarbeiter oder empfohlenen qualifizierten Elektriker erneuert werden.
- Dieses Gerät kann von Kindern ab 8 Jahren und Personen mit verringerten physischen, sensorischen oder psychischen Fähigkeiten oder Mangel an Erfahrung und Kenntnis verwendet werden, wenn sie bei der Verwendung beaufsichtigt werden oder Anweisung zum sicheren Gebrauch des Geräts erhalten und die Gefahren verstanden haben.

- Kinder dürfen nicht mit dem Gerät spielen.
- Reinigung und Wartung durch den Benutzer dürfen nicht von Kindern ohne Aufsicht durchgeführt werden.
- Polar empfiehlt, dass dieses Gerät regelmäßig (wenigstens jährlich) von einem Fachmann überprüft wird. Die Überprüfung sollte beinhalten, ohne darauf beschränkt zu sein: Visuelle Überprüfung, Polaritätstest, Erdungskontinuität, Isolationskontinuität und Funktionalitätsprüfung.
- Dieses Gerät ist ausschließlich für die Lagerung von Wein bestimmt.
- Kinder im Alter von 3 bis 8 Jahren dürfen Kühlgeräte be- und entladen.



**Warnung: Brandgefahr / brennbare Materialien**

- Das in diesem Gerät enthaltene Kältemittelgas ist Isobuten (R600a), das schadstoffarm, aber brennbar ist.
- Explosive Stoffe wie Sprühdosen mit brennbaren Treibmittel in diesem Gerät nicht speichern.



**Warnung: Halten Sie alle Lüftungsöffnungen frei. Das Gerät sollte nicht ohne geeignet Ventilation eingebaut werden.**

- **Warnung:** Verwenden Sie keine mechanischen Vorrichtungen oder andere Mittel, um den Abtauvorgang zu beschleunigen, andere als die vom Hersteller empfohlen, die mit dem.
- **Warnung:** Halten Sie den Kältemittelkreislauf nicht beschädigen.
- **Warnung:** Verwenden Sie keine elektrischen Geräte innerhalb des Lebensmittellagerungsraumes betreiben.

## Einführung

Bitte nehmen Sie sich einige Minuten Zeit und lesen Sie dieses Handbuch sorgfältig durch. Nur bei korrekter Wartung und vorschriftsgemäßem Betrieb kann Ihr POLAR-Produkt optimale Leistung erzielen.

## Lieferumfang

Folgende Teile befinden sich in der Verpackung:

- Weinkühler
- Bedienungsanleitung

POLAR ist stolz auf die hochwertige Qualität seiner Produkte und seinen erstklassigen Service. Wir stellen sicher, dass alle gelieferten Produkte zum Zeitpunkt der Verpackung voll funktionsfähig sind und sich in einwandfreiem Zustand befinden.

Sollten Sie Transportschäden feststellen, wenden Sie sich bitte unverzüglich an Ihren POLAR-Händler.

## Montage

**Hinweis: Nicht zur Verwendung in Lieferwagen oder Anhängern, Transportern oder ähnlichen Fahrzeugen.**

**Hinweis: Wenn das Gerät nicht aufrecht transportiert oder gelagert wurde, muss es vor Inbetriebnahme rund 12 Stunden aufrecht aufgestellt werden. Im Zweifelsfall lassen Sie es aufrecht stehen.**

1. Den Kühler auf einen Boden stellen, der den voll beladenen Weinkühler tragen kann
2. Das Gerät aus der Verpackung nehmen und den Schutzfilm von allen Flächen entfernen.
3. Den Weinkühler nicht direkter Sonneneinstrahlung aussetzen und nicht in feuchten Bereichen aufstellen.
4. Um die Leistung und Langlebigkeit zu optimieren, stellen Sie sicher, dass zwischen dem Gerät und den Wänden und anderen Objekten ein Mindestabstand von 2,5 cm eingehalten wird, wobei oben ein Mindestabstand von 20 cm eingehalten wird. **NIEMALS IN DER NÄHE EINER WÄRMEQUELLE.**
5. Bei Bedarf die Schraubfüße des Weinkühlers regulieren, damit er fest und gerade steht.

**Hinweis: Reinigen Sie die Einlegeböden und das Innere des Geräts vor der ersten Inbetriebnahme mit Seifenwasser und trocknen Sie es gut ab.**

**WARNUNG: Achten Sie bei der Positionierung des Gerätes darauf, dass das Netzkabel nicht eingeklemmt oder beschädigt ist.**

**WARNUNG: Vermeiden Sie mehrere tragbare Steckdosen oder tragbare Netzteile auf der Rückseite des Geräts.**

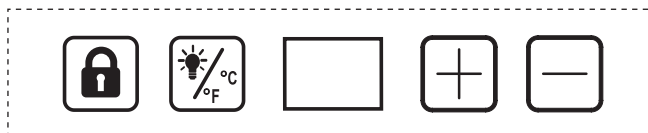
## Betrieb







**Achtung: der Kühler sollte nur in einem Bereich mit einer Umgebungstemperatur von 16°C bis 32°C hingestellt werden.**

- Beim ersten Gebrauch des Kühlers oder erneuten Gebrauch nach einer langen Ruhepause können einige Grad Unterschied zwischen der gewählten Temperatur und dem angezeigten Wert bestehen. Sobald der Kühler einige Stunden lang eingeschaltet ist, dürfte sich die Temperatur von selbst regulieren.
- Wenn der Netzstecker herausgezogen ist, ein Stromausfall vorlag oder das Gerät ausgeschaltet wurde, vor dem erneuten Start des Kühlers 3 bis 5 Minuten warten.

## Bedienfeld



|                      |   |  |
|----------------------|---|--|
| Entriegeln           |  | Zum Entriegeln für 2 Sekunden gedrückt halten  |
| Licht / Temp Einheit |  | Kurz drücken, um die Beleuchtung ein-/auszuschalten;<br>Zum Umschalten zwischen Fahrenheit und Celsius gedrückt halten |
| Hoch                 |  | Zum Erhöhen / Reduzieren drücken   |
| Runter               |  | (Temperaturbereich: 5°C/41°F - 18°C/64°F)  |

### Bitte beachten:

- Wenn die Umgebungstemperatur 25°C beträgt und der Weinkühler nicht beladen ist, so dauert es etwa 30 Minuten, um die Innenraumtemperatur von 5°C auf 12°C zu erhöhen. Unter denselben Umständen dauert es etwa 1 Stunde, um die Innenraumtemperatur von 12°C auf 5°C zu reduzieren. Je geringer die Temperaturspanne, desto weniger Zeit braucht es, um die Temperatur zu senken.
- Es wird empfohlen, den Weinkühler zur optimalen Weinlagerung auf 12°C einzustellen. Wenn die eingestellte Temperatur über 12°C liegt, so wird der Stromverbrauch gesenkt. Wenn sie unter 12°C liegt, so steigt der Stromverbrauch.

### Automatische Tastenverriegelung

- Wenn für 20 Sekunden keine Tasteneingabe erfolgt, so werden die Hoch- und Runter-Tasten automatisch verriegelt. Dabei funktionieren die Licht-/Temperaturtasten normal weiter.
- Drücken und halten Sie die Entriegelungstaste, um zu entriegeln.

### Automatische Lichtabschaltung

Wenn alle Tasten für 10 Minuten inaktiv sind, so schaltet die Beleuchtung automatisch aus.

### Displaystabilität

|                 |   |
|-----------------|---|
| Celsius (°C)    | Wenn die durch die Temperatursonde gemessene Temperatur innerhalb von $\pm 1^\circ\text{C}$ der eingestellten Temperatur liegt, zeigt das Display den eingestellten Temperaturwert an |
| Fahrenheit (°F) | Wenn die durch die Temperatursonde gemessene Temperatur innerhalb von $\pm 2^\circ\text{F}$ der eingestellten Temperatur liegt, zeigt das Display den eingestellten Temperaturwert an |

### Erzwungene Auftaufunktion

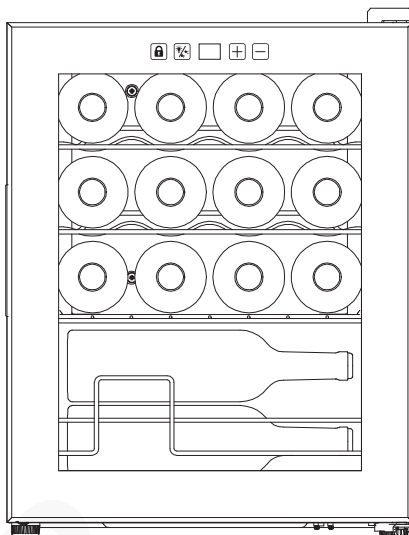
Nach einer Betriebsdauer von 8 Stunden startet das Gerät den Auftauzyklus von etwa 45 Minuten automatisch.

### Speicherfunktion

Mit der Speicherfunktion werden nach dem Neustart des Geräts alle vorherigen Einstellungen fortgesetzt.

## Flaschenauslegung

Um die Maximalkapazität Ihres Weinkühlers zu erreichen, sollten die Flaschen wie unten dargestellt ausgelegt werden.



16 Flaschen (4 unten)



**Achtung: Diese Flaschenmengen sind Anhaltswerte und gelten für die Lagerung herkömmlicher 750 ml Einzelflaschen Bordeaux.**

## Lagern gemischter Flaschen

Da zwischen den unteren und oberen Ablagen im Weinkühler ein leichter Temperaturunterschied besteht, empfiehlt POLAR, Weißwein unten und Rotwein oben zu lagern.

## Um eine Kontaminierung von Lebensmitteln zu vermeiden, beachten Sie die folgenden Anleitungen:

- Ein längeres Öffnen der Tür kann zu einem deutlichen Temperaturanstieg in den Fächern des Geräts führen.
- Wenn der Kühlschrank über einen längeren Zeitraum leer bleibt, schalten Sie ihn aus. Tauen Sie ihn ab und reinigen Sie ihn gründlich. Lassen Sie zum Austrocknen die Tür offen, um Schimmelbildung im Gerät zu vermeiden.
- Verstauen Sie frisches Fleisch oder Fisch in geeigneten Behältern im Kühlschrank, damit es nicht mit anderen Lebensmitteln in Kontakt kommen oder darauf tropfen.
- Laden Sie das Gerät erst, wenn es die richtige Betriebstemperatur erreicht hat.

## Reinigung, Pflege und Wartung

- Vor Reinigungsarbeiten stets zunächst das Gerät abschalten und den Netzstecker ziehen.
- Alle Flaschen aus dem Kühler nehmen.
- Für Reinigungsarbeiten empfehlen wir eine warme Seifenlösung. Reinigungsmittel können schädliche Rückstände hinterlassen.
- Regelmäßig den Boden der Weinkühlerbox reinigen, um angesammelte Kondensation zu entfernen.

**Bei häufigem und längerem Öffnen der Türen bilden sich Kondenswasser und Eis. Wenn Sie das Gerät außerhalb des empfohlenen Temperaturbereichs betreiben und es in der Nähe einer Wärmequelle aufstellen, erhöht sich ebenfalls die Menge an Eis und interner/ externer Kondensation. Bei äußerer Kondensation wischen Sie die Oberfläche mit einem Tuch ab.**

**Übermäßige Vereisung führt zu längeren Laufzeiten, die den Energieverbrauch erhöhen und den Verschleiß der Komponenten beschleunigen.**

**Wenn die Dichtung beschädigt oder verformt ist, erhöht sich der Energieverbrauch. Um die Effizienz wiederherzustellen, die Dichtung ersetzen.**

## Störungssuche

Falls erforderlich, muss ein qualifizierter Techniker Reparaturen durchführen.

| Störung                                       | Vermutliche Ursache  | Lösung   |
|---|--|--|
| Das Gerät funktioniert nicht                  | Das Gerät ist nicht eingeschaltet  | Prüfen, ob der Netzstecker in die Steckdose gesteckt wurde und das Gerät eingeschaltet ist |
|   | Stecker und Kabel sind beschädigt  | Stecker oder Leitung ersetzen  |
|   | Fehler Netzstromversorgung   | Netzstromversorgung prüfen   |
| Gerät läuft laut oder nur mit Unterbrechungen | Gerät steht nicht eben   | Die Füße so regulieren, dass das Gerät eben steht  |
| Weinkühlschrank ist nicht kühl genug          | Temperatur falsch eingestellt  | Temperatur prüfen und bei Bedarf neu einstellen  |
|   | Externe Umgebung kann kältere Temperatur erforderlich machen                           | Temperatur prüfen und bei Bedarf neu einstellen  |
|   | Tür wird zu häufig geöffnet  | Nur bei Bedarf öffnen  |
|   | Türdichtung ist ausgeleiert  | Wenden Sie sich an einen qualifizierten Techniker  |
| Licht funktioniert nicht                      | Lichttaste nicht gedrückt  | Drücken Sie die Lichttaste   |
|   | Birne ist durchgebrannt  | Wenden Sie sich an einen qualifizierten Techniker  |
| Türen schließen nicht richtig                 | Gerät steht nicht eben   | Die Füße so regulieren, dass das Gerät eben steht  |
|   | Ablagen sind nicht in Position   | Sicherstellen, dass alle Ablagen korrekt eingelegt sind                                    |
|   | Türdichtung ist schmutzig  | Mit einem feuchten Tuch reinigen   |
| Fehlercode "EE" auf dem Display               | Kurzschluss an der Temperatursonde oder keine Verbindung                               | Wenden Sie sich an einen qualifizierten Techniker  |
| Fehlercode "LL" auf dem Display               | Durch die Temperatursonde gemessene Temperatur liegt unter 0°C (Anzeigebereich 0-37°C) | Wenden Sie sich an einen qualifizierten Techniker  |
| Fehlercode "HH" auf dem Display               | Durch die Temperatursonde gemessene Temperatur liegt über 37°C (Anzeigebereich 0-37°C) |  |

## Technische Spezifikationen

Hinweis: Aufgrund unseres kontinuierlichen Forschungs- und Entwicklungsprogramms können sich die hier aufgeführten Spezifikationen ohne vorherige Ankündigung ändern.

| Modell | Spannung          | Leistung | Stromstärke | Flaschenkapazität | Kühlmittel | Temp.-bereich | Abmessungen H x B x T mm | Gewicht (kg) |
|--------|-------------------|----------|-------------|-------------------|------------|---------------|--------------------------|--------------|
| CB058  | 220-240V~<br>50Hz | 85W      | 0,6A        | 16                | R600a      | 5-18°C        | 560 x 430 x 450          | 17           |

| Modell | Die richtige raumtemperatur zu erzielen |
|--------|---|
| CB058  | +16°C ~ +32°C                           |

### Einfluss der Temperatureinstellungen auf die Lebensmittelverschwendung:

Um die Verschwendung von Lebensmitteln durch Zersetzung oder Austrocknung zu reduzieren, sollte dieses Gerät in seinem vorgesehenen Betriebsbereich betrieben werden.

Optimale Temperatur für die Lagerung von Lebensmitteln: 12°C

### Für Ersatzteilbestellungen bitte Ihren Polar Fachhändler kontaktieren:

<https://www.polar-refrigerator.com/stockist>



### Mindestzeitraum der Verfügbarkeit von Ersatzteilen:

Türgriffe, Türscharniere, Schalen und Körbe werden für mindestens sieben Jahre nach Inverkehrbringen des letzten Geräts des Modells zur Verfügung gestellt. Eine weitere Auswahl an technischen Ersatzteilen steht professionellen Anwendern ebenfalls für mindestens sieben Jahre zur Verfügung. Türdichtungen werden für mindestens 10 Jahre zur Verfügung gestellt.

### Modell-Informationen finden Sie in der Produktdatenbank:

<https://eprel.ec.europa.eu/screen/product/refrigeratingappliances2019>



### Informationen zum Modell finden Sie auf dem Produkt:

Die Modellbezeichnung befindet sich in der Regel an der Innenwand und auf der Rückseite des Geräts.

Hinweis: Polar bietet eine Mindestgarantie von 2 Jahren. Bitte kontaktieren Sie Ihren autorisierten Fachhändler für weitere Informationen.



## Elektroanschlüsse

Der Stecker muss in eine geeignete Steckdose gesteckt werden.

Das Gerät ist wie folgt verdrahtet:

- Stromführender Leiter (braun) an Klemme L
- Neutraleiter (blau) an Klemme N
- Erdleiter (grün/gelb) an Klemme E



Dieses Gerät muss geerdet sein.

Bei Fragen wenden Sie sich bitte an einen qualifizierten Elektriker.

Elektroisolierpunkte dürfen nicht blockiert werden. Bei einem Notstopp müssen diese Punkte jederzeit sofort zugänglich sein.

## Entsorgung

Gemäß EU-Vorschriften müssen Kühlprodukte von Fachunternehmen entsorgt werden, die alle Gase, Metall- und Kunststoffbauteile entfernen oder recyceln.

Ihre Kommunalverwaltung kann Sie über die Entsorgung Ihres Geräts informieren. Kommunalbehörden sind nicht verpflichtet, gewerbliche Kühlgeräte zu entsorgen. Sie können Sie jedoch über lokale Annahmestellen informieren, die diese Geräte entsorgen.

Sie können auch die POLAR-Helpdesk anrufen. Wir verfügen über eine Liste nationaler Entsorger in den EU-Staaten.

## Konformität

Das WEEE-Logo auf diesem Produkt oder in der Dokumentation auf darauf hin, dass das Produkt nicht im normalen Haushaltsmüll entsorgt werden darf. Um mögliche Gesundheits- bzw. Umweltschäden zu vermeiden, muss das Produkt durch einen zugelassenen und umweltverträglichen Recyclingprozess entsorgt werden. Für weitere Informationen zur korrekten Entsorgung dieses Produkts wenden Sie sich bitte an den Lieferanten oder die für Müllentsorgung zuständige Behörde in Ihrer Nähe.



Alle POLAR-Produkte werden strengen Tests unterzogen, um die Einhaltung von Normen und Spezifikationen internationaler und nationaler Behörden und unabhängiger Organisationen zu gewährleisten.

POLAR-Produkte dürfen durch folgendes Symbol gekennzeichnet werden:



**Alle Rechte vorbehalten. Diese Anleitung darf ohne vorherige schriftliche Genehmigung von POLAR weder ganz noch teilweise in irgendeiner Form oder auf irgendeinem Wege - einschließlich elektronischer, mechanischer Verfahren, durch Fotokopieren, Aufnahme oder andere Verfahren - vervielfältigt oder übertragen werden. Es werden alle Anstrengungen unternommen um sicherzustellen, dass alle Angaben bei der Drucklegung korrekt sind. POLAR behält sich jedoch das Recht vor, Spezifikationen ohne Vorankündigung zu ändern.**

## Suggerimenti per la sicurezza

- Posizionare su una superficie piana e stabile.
- L'installazione e le eventuali riparazioni devono venire eseguite da un agente/tecnico qualificato. Non rimuovere i componenti o i pannelli di accesso dell'apparecchio.
- Verificare la conformità alle normative locali e nazionali di quanto segue:
  - Normativa antinfortunistica sul lavoro
  - Linee guida BS EN
  - Precauzioni antincendio
  - Normativa IEE sui circuiti elettrici
  - Norme di installazione
- NON immergere in acqua e non utilizzare dispositivi a vapore o a getto d'acqua per pulire questa unità.
- NON coprire l'apparecchio se è in funzione.
- NON conservare cibi nella cella frigo per vino.
- Effettuare il trasporto, l'immagazzinaggio e l'utilizzo di questa unità tenendola sempre in posizione verticale.
- Non inclinare mai la cella frigo a un'angolazione superiore ai 45° rispetto al piano verticale.
- Il dispositivo ha un uso inteso all'interno di proprietà private e simili.
- Tenere l'imballaggio fuori dalla portata dei bambini; smaltire l'imballaggio in modo da rispettare le normative delle autorità locali.
- Qualora il cavo di alimentazione dovesse danneggiarsi, dovrà essere sostituito da un agente POLAR oppure un tecnico qualificato raccomandato in modo da evitare possibili rischi.
- Quest'apparecchio può essere usato da bambini a partire da 8 anni di età e da persone con capacità fisiche, sensoriali o mentali ridotte o prive di esperienza o conoscenze adatte a condizione che tali persone abbiano ricevuto assistenza o formazione per utilizzare l'apparecchio in maniera sicura e capiscano i potenziali pericoli associati a tale uso.

- I bambini non giocherà con l'apparecchio.
- Pulizia e manutenzione utente non deve essere effettuata da parte di bambini senza sorveglianza.
- POLAR raccomanda che questo apparecchio venga periodicamente testato (almeno una volta all'anno) da una persona competente. I test dovrebbero includere, ma non solo: ispezione visiva, test di polarità, continuità di terra, continuità di isolamento e test funzionale.
- L'apparecchio è destinato a essere utilizzato esclusivamente per la conservazione del vino.
- I bambini di età compresa tra 3 e 8 anni possono caricare e scaricare apparecchi di refrigerazione.

### **Attenzione: Rischio di incendio / materiali infiammabili**



- Il gas refrigerante contenuto in questo apparecchio è isobutene (R600a), che è poco inquinante ma infiammabile.
- Non conservare sostanze esplosive, come bombolette spray con propellente infiammabile in questo apparecchio.



**Attenzione: Tenere libere tutte le aperture di ventilazione. L'unità non deve essere installata senza una ventilazione adeguata.**

- **Attenzione:** non utilizzare dispositivi meccanici o altri mezzi per accelerare il processo di sbrinamento, diversa dal fabbricante raccomandato Quelli da.
- **Attenzione:** Non danneggiare il circuito refrigerante.
- **Attenzione:** Non usare apparecchi elettrici all'interno degli scomparti per la conservazione degli alimenti.

## Introduzione

Leggere con attenzione il presente manuale. La manutenzione e l'utilizzo corretti di questo apparecchio consentiranno di ottenere le massime prestazioni da questo prodotto POLAR.

## Contenuto dell'imballaggio

L'imballaggio contiene quanto segue:

- Cella frigo per vino
- Manuale di istruzioni

POLAR garantisce una qualità e un servizio impeccabili e assicura che al momento dell'imballaggio tutti i componenti forniti sono integralmente funzionanti e privi di difetti.

Nel caso siano rilevati danni risultanti dal trasporto del prodotto, rivolgersi immediatamente al rivenditore POLAR locale.

## Montaggio

**Nota: Non per l'uso in furgoni o rimorchi, camion per il trasporto del cibo o veicoli simili.**

**Nota: se l'apparecchio è stato immagazzinato o spostato in posizione non verticale, lasciarlo in posizione verticale per circa 12 ore prima di metterlo in funzione. In caso di dubbio, osservare comunque questa precauzione.**

1. Posizionare il refrigeratore per vini su un pavimento in grado di sostenerne il peso a pieno carico.
2. Liberare l'apparecchio dall'imballaggio e dalla pellicola protettiva per tutta la sua superficie;
3. Tenere la cella frigo al riparo dai raggi solari diretti ed evitare gli ambienti umidi;
4. Per ottimizzare le prestazioni e la longevità, assicurarsi che sia mantenuta una distanza minima di 2,5 cm tra l'unità e le pareti e altri oggetti, con una distanza minima di 20 cm nella parte superiore.  
**NON POSIZIONARE MAI VICINO A UNA FONTE DI CALORE.**
5. Se necessario, modificare l'altezza dei piedini regolabili della cella frigo per livellarne l'altezza.

**Nota: prima di utilizzare l'apparecchio per la prima volta, pulire i ripiani e l'interno con acqua saponata e asciugare bene.**

**AVVERTENZA: quando si posiziona l'apparecchio, assicurarsi che il cavo di alimentazione non sia intrappolato o danneggiato.**

**AVVERTENZA: non posizionare prese multiple portatili (ciabatte) o alimentatori portatili sul retro dell'apparecchio.**

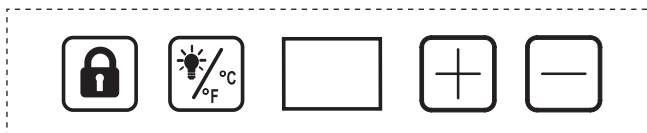
## Funzionamento



**Nota: il refrigeratore per vini deve essere posizionato in un'area in cui la temperatura ambiente sia compresa tra 16°C e 32°C.**

- Quando si utilizza il refrigeratore per vini per la prima volta o quando lo si riavvia dopo un lungo periodo di tempo, è possibile che vi siano alcuni gradi di variazione tra la temperatura selezionata e la temperatura indicata sul display LED. Una volta che il refrigeratore per vini è rimasto acceso per qualche ora, il problema si risolve autonomamente.
- Se l'unità non è collegata all'alimentazione, ha perso potenza o è stata spenta, attendere da 3 a 5 minuti prima di riavviarla.

## Pannello di controllo



|                                  |  |  |
|----------------------------------|--|--|
| Sblocca                          |  | Tenere premuto per 2 secondi per sbloccare   |
| Luce /<br>Temperatura dell'unità |  | Premere brevemente per accendere/spegnere la luce;<br>Tenere premuto per passare dai gradi Fahrenheit ai gradi Celsius |
| Su                               |  | Premere per aumentare/diminuire la temperatura   |
| Giù                              |  | (Range di temperatura: 5°C/41°F - 18°C/64°F)   |

### Nota:

- Quando la temperatura dell'ambiente circostante è di 25°C e nella cantinetta non ci sono bottiglie, ci vorranno circa 30 minuti per alzare la temperatura interna da 5°C a 12°C. Nelle stesse condizioni, ci vorrà circa un'ora per abbassare la temperatura interna da 12°C a 5°C. Minore è la differenza di temperatura, meno sarà il tempo necessario.
- Si consiglia di impostare la cantinetta a 12°C per un'ottimale conservazione del vino. Se la temperatura impostata è maggiore di 12°C, il consumo energetico sarà inferiore. Se è minore di 12°C, il consumo di energia sarà maggiore.

### Funzione di blocco automatico

- Quando tutti i tasti sono inattivi da 20 secondi, i tasti Su e Giù si bloccheranno automaticamente. Mentre il tasto Luce/Temperatura dell'unità potrà essere utilizzato normalmente.
- Tenere premuto il tasto sblocca per sbloccare.

### Funzione di spegnimento luce automatico

Quando tutti i tasti sono inattivi da 10 minuti, la luce si spegnerà automaticamente.

### Stabilità dello schermo

|                          |  |
|--------------------------|--|
| Modalità Celsius (°C)    | Quando la temperatura misurata dalla sonda è entro $\pm 1^\circ\text{C}$ dalla temperatura impostata, lo schermo mostrerà il valore di temperatura impostato |
| Modalità Fahrenheit (°F) | Quando la temperatura misurata dalla sonda è entro $\pm 2^\circ\text{F}$ dalla temperatura impostata, lo schermo mostrerà il valore di temperatura impostato |

### Funzione di sbrinamento forzato

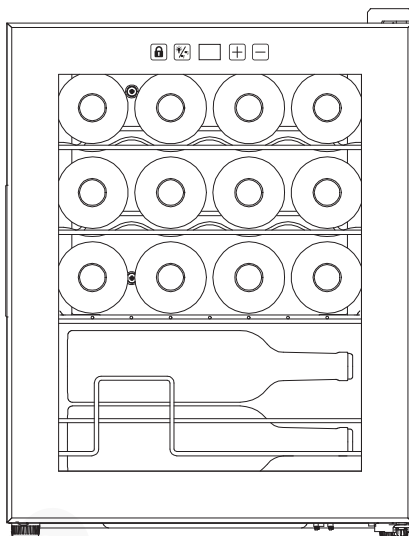
Quando è in funzione, ogni 8 ore l'apparecchio inizierà un ciclo di sbrinamento automatico della durata di circa 45 minuti.

### Funzione di memoria

Con la funzione di memoria, tutte le impostazioni precedenti verranno ripristinate dopo il riavvio dell'apparecchio.

## Disposizione delle bottiglie

Per raggiungere la capacità massima della cantinetta, le bottiglie dovranno essere posizionate come mostrato sotto.



16 bottiglie (base di 4)



**Nota: la capacità indica la quantità massima di bottiglie bordolesi da 750 ml standard che è possibile conservare e include lo spazio di conservazione alla rinfusa.**

## Come conservare bottiglie miste

Tra la parte superiore e quella inferiore della cella frigo per il vino la temperatura differisce leggermente, pertanto POLAR consiglia di sistemare le bottiglie di vino bianco nella parte inferiore della cella frigo e quelle di vino rosso nella parte superiore.

## Per evitare la contaminazione degli alimenti, si prega di rispettare le seguenti istruzioni:

- L'apertura della porta per lunghi periodi può causare un aumento significativo temperatura nei compartimenti dell'apparecchio.
- Se l'apparecchio refrigerante viene lasciato vuoto per lunghi periodi, spegnerlo. Poi scongelare e pulirlo accuratamente. Lasciare asciugare bene e lasciare la porta aperta per evitare lo sviluppo di muffe all'interno dell'apparecchio.
- Pulire regolarmente le superfici che possono entrare in contatto con gli alimenti e i sistemi di drenaggio accessibili.
- Caricare l'apparecchio solo quando ha raggiunto la corretta temperatura di funzionamento.

## Pulizia, cura e manutenzione

- Spegner l'articolo e togliere l'alimentazione elettrica prima di procedere con la pulizia;
- Rimuovere tutte le bottiglie;
- Per la pulizia, è consigliabile l'utilizzo di acqua tiepida e saponata; i detersivi potrebbero lasciare residui dannosi;
- Pulire periodicamente la parte inferiore dello scomparto della cella frigo per rimuovere eventuali formazioni di condensa.

**Con l'apertura frequente e prolungata delle porte si formano condensa e ghiaccio. Anche il funzionamento al di fuori dell'intervallo di temperatura consigliato e la collocazione vicino a una fonte di calore aumentano la formazione di ghiaccio e di condensa interna/ esterna. In caso di condensa esterna, pulire la superficie con un panno. L'eccesso di ghiaccio provoca tempi di funzionamento più lunghi che aumentano il consumo energetico e il deterioramento dei componenti. Se la guarnizione o la tenuta sono danneggiate o deformate, il consumo energetico aumenta. Per ripristinare l'efficienza, sostituire la guarnizione.**

## Risoluzione dei problemi

Se necessario, un tecnico qualificato deve eseguire le riparazioni.

| Guasto  | Probabile causa   | Azione  |
|---|---|---|
| L'apparecchio non funziona                                | L'apparecchio non è acceso  | Controllare che l'apparecchio sia correttamente collegato e acceso                |
|   | La presa e il cavo sono danneggiati   | Sostituire la spina o il cavo   |
|   | Guasto alimentazione di rete  | Controllare l'alimentazione di rete   |
| Il dispositivo è rumoroso oppure è acceso a intermittenza | Il dispositivo non è posizionato a livello                                      | Modificare l'altezza dei piedini di sostegno per portare il dispositivo a livello |
| La cella non è sufficientemente fredda                    | Impostazione sbagliata della temperatura  | Controllare la temperatura e impostarla nuovamente, se necessario                 |
|   | A causa dell'ambiente esterno è necessaria una temperatura più bassa            | Controllare la temperatura e impostarla nuovamente, se necessario                 |
|   | Lo sportello viene aperto troppo spesso   | Aprire solo se necessario   |
|   | La guarnizione dello sportello è logora   | Consultare un tecnico qualificato   |
| La luce non funziona                                      | Il tasto Luce non è premuto   | Premere il tasto Luce   |
|   | La lampadina è saltata  | Consultare un tecnico qualificato   |
| Gli sportelli non funzionano correttamente                | Il dispositivo non è posizionato a livello                                      | Modificare l'altezza dei piedini di sostegno per portare il dispositivo a livello |
|   | I ripiani non sono disposti correttamente                                       | Controllare che tutti i ripiani siano inseriti correttamente                      |
|   | Lo sportello è sporco   | Passare un panno inumidito  |
| Codice errore "EE" sullo schermo                          | La sonda della temperatura è in corto circuito o disconnessa                    | Consultare un tecnico qualificato   |
| Codice errore "LL" sullo schermo                          | La temperatura misurata dalla sonda è inferiore a 0°C (Range mostrato: 0-37°C)  | Consultare un tecnico qualificato   |
| Codice errore "HH" sullo schermo                          | La temperatura misurata dalla sonda è superiore a 37°C (Range mostrato: 0-37°C) |   |

## Specifiche tecniche

Nota: a causa del nostro continuo programma di ricerca e sviluppo, le specifiche qui riportate possono essere soggette a modifiche senza preavviso.

| Modello      | Tensione          | Alimentazio | Corrente | Capacità<br>bottiglia | Refrigerante | Gamma<br>temp. | Dimensioni<br>h x l x p mm | Peso<br>(kg) |
|--------------|-------------------|-------------|----------|-----------------------|--------------|----------------|----------------------------|--------------|
| <b>CB058</b> | 220-240V~<br>50Hz | 85W         | 0,6A     | 16                    | R600a        | 5-18°C         | 560 x 430 x 450            | 17           |

| Model        | Temperatura ambiente adeguata |
|--------------|-------------------------------|
| <b>CB058</b> | +16°C ~ +32°C                 |

### Impatto delle impostazioni di temperatura sulla generazione di rifiuti alimentari:

Al fine di ridurre lo spreco di cibo dovuto alla decomposizione o alla disidratazione, questo apparecchio deve essere utilizzato nell'intervallo di funzionamento designato.

Temperatura ottimale per la conservazione degli alimenti: 12°C

### Per ordinare le parti di ricambio, contattare il proprio Rivenditore Polar:

<https://www.polar-refrigerator.com/stockist>



### Periodo minimo di disponibilità delle parti di ricambio:

Le maniglie e i cardini delle porte, i vassoi e i cestelli saranno disponibili per un minimo di sette anni dall'immissione sul mercato dell'ultima unità del modello. Un'ulteriore selezione di ricambi tecnici sarà disponibile anche per i Professionisti per un minimo di sette anni. Le guarnizioni delle porte saranno disponibili per un minimo di 10 anni.

### Le informazioni sul modello possono essere trovate nel database del prodotto:

<https://eprel.ec.europa.eu/screen/product/refrigeratingappliances2019>



### Le informazioni sul modello possono essere trovate sul prodotto:

L'identificativo del modello si trova solitamente sulla parete interna e sul retro dell'unità.

Nota: Polar offre una garanzia minima di 2 anni, contattare un rappresentante autorizzato per maggiori dettagli.



## Cablaggi elettrici

La spina deve venire collegata a una presa di rete appropriata.

L'apparecchio ha i seguenti cablaggi:

- Filo sotto tensione (colore marrone) a terminale L
- Filo del neutro (colore blu) a terminale N
- Filo di terra (colore verde/giallo) a terminale E

Questa apparecchiatura deve essere collegata a terra.



In caso di dubbi, consultare un elettricista qualificato.

I punti di isolamento elettrico devono essere liberi da ostruzioni. In caso di emergenza, i punti devono essere facilmente raggiungibili qualora sia necessario scollegarli.

## Smaltimento

Le normative UE prevedono che lo smaltimento dei prodotti di refrigerazione sia eseguito da aziende specializzate nella rimozione o nel riciclaggio di tutti i gas e dei componenti in metallo e plastica.

Rivolgersi all'ente locale incaricato per informazioni sullo smaltimento di questo apparecchio. Gli enti locali non hanno l'obbligo di procedere allo smaltimento di apparecchi di refrigerazione commerciali ma sono in grado di fornire suggerimenti sulla modalità di smaltimento di tali apparecchi.

In alternativa, chiamare la helpline telefonica di POLAR per ricevere informazioni dettagliate sulle aziende di smaltimento nella UE.

## Conformità

Il logo WEEE riportato su questo prodotto o sulla relativa documentazione indica che il prodotto non può essere smaltito come normale rifiuto domestico. Per evitare possibili danni alla salute e/o all'ambiente, il prodotto deve venire smaltito utilizzando una procedura di riciclaggio approvata e sicura per l'ambiente. Per ulteriori informazioni su come smaltire in maniera corretta questo prodotto, contattare il fornitore del prodotto o l'ente locale responsabile per lo smaltimento dei rifiuti.



I componenti POLAR sono stati sottoposti a un rigoroso collaudo ai fini della conformità agli standard e alle specifiche normative previste dalle autorità internazionali, indipendenti e federali.

I prodotti POLAR sono autorizzati a esporre il seguente simbolo:



**Tutti i diritti riservati. È vietata la riproduzione o la trasmissione in alcuna forma, elettronica, meccanica, mediante fotocopiatura o altro sistema di riproduzione, di qualsiasi parte delle presenti istruzioni senza la previa autorizzazione scritta di POLAR.**

**Le informazioni contenute sono corrette e accurate al momento della stampa, tuttavia POLAR si riserva il diritto di modificare le specifiche senza preavviso.**

## Consejos de Seguridad

- Colóquela sobre una superficie plana, estable.
- Un agente de servicio / técnico cualificado debería llevar a cabo la instalación y cualquier reparación si se precisa. No retire ningún componente ni panel de servicio de este producto.
- Consulte las Normas Locales y Nacionales correspondientes a lo siguiente:
  - Legislación de Seguridad e Higiene en el Trabajo
  - Códigos de Práctica BS EN
  - Precauciones contra Incendios
  - Normativos de Cableado de la IEE
  - Normativas de Construcción
- NO la sumerja en agua ni utilice difusores de vapor o de chorro para limpiar la unidad.
- NO cubra el aparato cuando esté en funcionamiento.
- NO GUARDE alimentos en la nevera de vino.
- Transporte, almacene y manipule siempre el aparato en posición vertical.
- No incline nunca el aparato más de 45° respecto a la posición vertical.
- Este aparato está diseñado para usarse en fines domésticos y similares.
- Mantenga todo el embalaje fuera del alcance de los niños. Deseche el embalaje tal y como dicen las normativas de las autoridades locales.
- Si el cable eléctrico está deteriorado, para evitar cualquier riesgo, un técnico cualificado recomendado o un agente de POLAR deberá cambiarlo.
- Este aparato puede ser usado por niños a partir de 8 años y por personas con su capacidad física, psíquica o sensorial reducida y por quienes no tengan los conocimientos y la experiencia necesarios, si han sido supervisados o instruidos acerca del uso del aparato de forma segura y siempre que sepan los riesgos que conlleva su uso.

- Los niños no deben jugar con el aparato.
- Limpieza y mantenimiento de usuarios, no podrán ser realizadas por los niños sin supervisión.
- POLAR recomienda que este aparato debe ser periódicamente probado (al menos anualmente) por una Persona Competente. La prueba debe incluir, pero no debe estar limitado a: Inspección visual, Prueba de polaridad, Toma a tierra, continuidad de aislamiento y prueba Funcional.
- Este aparato está diseñado para ser utilizado exclusivamente para almacenar vinos.
- Los niños de 3 a 8 años pueden cargar y descargar aparatos frigoríficos.

### **Advertencia: Riesgo de incendio / materiales inflamables**



- El Gas Refrigerante contenido en este aparato es Isobuteno (R600a), el cual es poco contaminante pero inflamable.
- No guarde sustancias explosivas, tales como latas de aerosol con un propelente inflamable en este aparato.



### **Advertencia: Mantenga los orificios de ventilación libres de obstrucciones. Asegúrese de que la unidad disponga de una ventilación adecuada.**

- **Advertencia:** No utilice dispositivos mecánicos u otros medios para acelerar el proceso de descongelación, que no sea el fabricante recomienda Aquellos por.
- **Advertencia:** No dañe el circuito refrigerante.
- **Advertencia:** No utilice aparatos eléctricos dentro de los compartimentos de almacenamiento de alimentos del aparato.

## Introducción

Tómese unos minutos para leer este manual. El correcto mantenimiento y manejo de esta máquina proporcionará el mejor funcionamiento posible de su producto POLAR.

## Contenido del Conjunto

Se incluye lo siguiente:

- Refrescador de vino
- Manual de Instrucciones

POLAR se enorgullece de su calidad y servicio y asegura que en el momento del embalaje, el contenido se suministró con plena funcionalidad y sin ningún defecto.

Si encontrara algún daño resultante del transporte, póngase en contacto inmediatamente con su distribuidor POLAR.

## Instalación

**Nota: No debe utilizarse en furgonetas o remolques, camiones de alimentos o vehículos similares.**

**Nota: Si el aparato no se ha almacenado o transportado en posición vertical, déjelo en posición vertical durante aproximadamente 12 horas antes del funcionamiento. Si tiene alguna duda, deje el aparato en posición vertical.**

1. Coloque la nevera sobre un suelo que pueda soportarla una vez esté totalmente cargada.
2. Desembale el aparato. Asegúrese de que todos los revestimientos y las láminas de plástico de protección se hayan quitado totalmente de todas las superficies.
3. No coloque la nevera de vino en áreas húmedas o bajo insolación directa.
4. Para optimizar el rendimiento y la longevidad, asegúrese de que se mantenga un espacio libre mínimo de 2,5 cm entre la unidad y las paredes y otros objetos, con un espacio mínimo de 20 cm en la parte superior. **NUNCA UBICAR AL LADO DE UNA FUENTE DE CALOR.**
5. Si es preciso, ajuste las patas a rosca de la nevera de vino para nivelarla.

**Nota: Antes de utilizar el aparato por primera vez, limpie los estantes y el interior con agua jabonosa y luego séquelos bien.**

**ADVERTENCIA: Cuando coloque el aparato, asegúrese de que el cable de alimentación no esté atrapado o dañado.**

**ADVERTENCIA: No coloque enchufes portátiles o fuentes de alimentación portátiles en la parte posterior del aparato.**

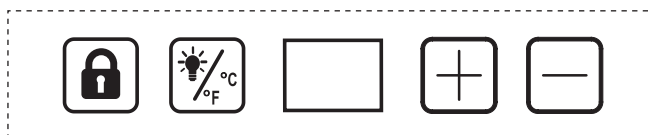
## Utilización



**NOTA: la nevera debe ser ubicada en una zona donde la temperatura ambiente esté entre los 16°C y los 32°C.**

- Cuando utilice la nevera por primera vez, o la reinicie tras un largo periodo de tiempo, puede haber una variación de unos pocos grados entre la temperatura seleccionada y la que se muestra en la lectura del LED. Una vez la nevera haya sido encendida durante algunas horas, esto se rectificará por sí solo.
- Si la unidad está desenchufada, ha perdido potencia o ha sido apagada, espere de 3 a 5 minutos antes de reiniciarla.

## Panel de control



|                     |  |   |
|---------------------|--|---|
| Bloquear            |  | Mantenga presionado por 2 segundos para bloquear  |
| Luz/Unidad de Temp. |  | Presione brevemente para encender/apagar la luz; Mantenga presionado para cambiar entre Fahrenheit y Grados centígrados |
| Subir               |  | Presione para aumentar/disminuir la temperatura   |
| Bajar               |  | (Rango de temperatura: 5°C/41°F~18°C/64°F)  |

### Nota:

- Cuando la temperatura circundante es de 25°C y la nevera para vinos no tiene ninguna botella cargada, tardará unos 30 minutos en aumentar la temperatura interior de 5°C a 12°C. En la misma circunstancia, se necesitará alrededor de 1 hora para disminuir la temperatura interior de 12°C a 5°C. Cuanto menor sea el intervalo de temperatura, menos tiempo se necesitará.
- Se recomienda ajustar la nevera a 12°C para una óptima conservación del vino. Si la temperatura ajustada es superior a 12°C, el consumo de energía será menor. Si es inferior a 12°C, el consumo de energía será mayor.

### Función de bloqueo automático

- Cuando todas las teclas se mantienen inactivas durante 20 segundos, las teclas Subir y Bajar se bloquean automáticamente. En cambio, la tecla de la unidad de luz/temperatura puede funcionar normalmente.
- Mantenga pulsada la tecla de desbloqueo para desbloquear.

### Función de apagado automático de la luz

Cuando todas las teclas se mantienen inactivas durante 10 minutos, la luz se apaga automáticamente.

### Estabilidad de la pantalla

|                                 |   |
|---------------------------------|---|
| Modo de grados centígrados (°C) | Cuando la temperatura medida por la sonda de temperatura está dentro de $\pm 1^{\circ}\text{C}$ de la temperatura establecida, la pantalla mostrará el valor de la temperatura establecida. |
| Modo de Fahrenheit (°F)         | Cuando la temperatura medida por la sonda de temperatura está dentro de $\pm 2^{\circ}\text{F}$ de la temperatura establecida, la pantalla mostrará el valor de la temperatura establecida. |

### Función de descongelación forzada

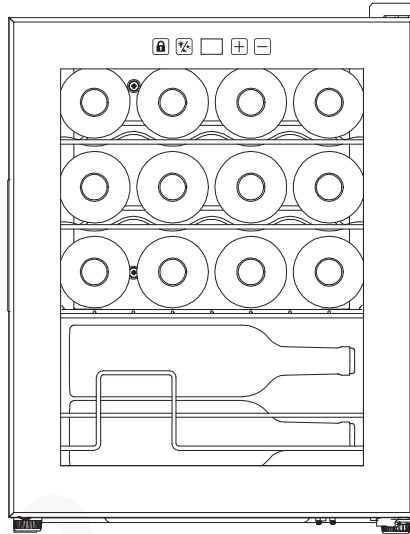
Al operar cada 8 horas, el aparato iniciará un ciclo de desescarche automático de unos 45 minutos.

### Función de memoria

Con la función de memoria, todos los ajustes anteriores se reanudarán después de reiniciar el aparato.

## Disposición de las botellas

Para lograr la máxima capacidad de su nevera para vinos, las botellas deben estar dispuestas como se indica a continuación.



16 botellas (4 en la base)

**NOTA: las capacidades de las botellas son máximos aproximados para el almacenamiento de botellas tradicionales de Burdeos de 750ml, e incluyen el almacenamiento a granel.**

## Almacenamiento de varios tipos de botellas

Dada la leve variación de la temperatura entre la parte superior y la inferior de la nevera de vino, POLAR recomienda que las botellas de vino blanco se coloquen en la parte inferior de la nevera y las de tinto en la parte superior.

## Para evitar posible contaminación a los alimentos, respete las siguientes instrucciones:

- Abrir la puerta durante largos ratos puede causar un aumento significativo de la temperatura en los compartimentos del aparato.
- Si el aparato de refrigeración se deja vacío durante largos ratos, entonces apáguelo. Luego descongele y limpie a fondo. Permita que se seque bien y mantenga la puerta abierta para evitar que se forme moho dentro del mismo.
- Limpie con regularidad las superficies que puedan entrar en contacto con alimentos y sistemas de drenaje accesibles.
- Cargue el aparato solo cuando haya alcanzado la temperatura de funcionamiento correcta.

## Limpieza, cuidado y mantenimiento

- Antes de cualquier limpieza, apague la máquina y desenchúfela de la toma eléctrica.
- Saque del aparato todas las botellas.
- Para la limpieza se recomienda agua tibia y jabonosa. Los agentes de limpieza pueden dejar residuos perjudiciales.
- Limpie periódicamente el suelo interior de la nevera de vino para eliminar cualquier rastro de condensación.

**La condensación y el hielo se formarán con la apertura frecuente y prolongada de las puertas.**  
**El funcionamiento fuera del rango de temperatura recomendado y la colocación junto a una fuente de calor también aumentarán la cantidad de hielo y la condensación interna/externa. Si se produce condensación externa, limpie la superficie con un paño.**  
**El exceso de hielo provocará tiempos de funcionamiento más largos que aumentarán el consumo de energía y el deterioro de los componentes.**  
**Si la junta o el sello están dañados o deformados, aumentará el consumo de energía. Para restablecer la eficiencia, sustituya la junta.**

## Resolución de problemas

Un técnico calificado debe realizar las reparaciones si es necesario.

| Fallo   | Causa probable  | Acción  |
|---|---|---|
| El aparato no funciona  | El aparato no está conectado  | Compruebe que el aparato esté enchufado correctamente y conectado |
|   | El enchufe y el cable están dañados   | Reemplace el enchufe o el cable                                   |
|   | Fallo de la fuente de alimentación de red   | Compruebe la fuente de alimentación de red                        |
| El aparato hace ruidos o funciona de modo intermitente        | El aparato no está nivelado   | Ajuste las patas para nivelar el aparato                          |
| El interior de la nevera de vino no está suficientemente frío | Ajuste incorrecto de la temperatura   | Compruebe la temperatura y reinicie si es preciso                 |
|   | El ambiente exterior puede requerir una temperatura más fría  | Compruebe la temperatura y reinicie si es preciso                 |
|   | La puerta se abre con demasiada frecuencia  | Abra sólo cuando sea necesario                                    |
|   | La junta de la puerta está desgastada   | Consulte a un técnico cualificado                                 |
| La luz no funciona  | Tecla de Luz no presionada  | Pulse la tecla de Luz   |
|   | Se ha fundido la bombilla   | Consulte a un técnico cualificado                                 |
| Las puertas no cierran bien                                   | El aparato no está nivelado   | Ajuste las patas para nivelar el aparato                          |
|   | Los estantes están mal puestos  | Compruebe que todos los estantes están bien metidos               |
|   | La junta de la puerta está sucia  | Friegue con un paño húmedo  |
| Código de error "EE" en la pantalla                           | La sonda de temperatura está en cortocircuito o desconectada  | Consulte a un técnico cualificado                                 |
| Código de error "LL" en la pantalla                           | La temperatura medida por la sonda de temperatura es inferior a 0°C (Rango de visualización: 0~37°C)  | Consulte a un técnico cualificado                                 |
| Código de error "HH" en la pantalla                           | La temperatura medida por la sonda de temperatura es superior a 37°C (Rango de visualización: 0~37°C) |   |

## Especificaciones Técnicas

Nota: Debido a nuestro continuo programa de investigación y desarrollo, las especificaciones aquí expuestas pueden estar sujetas a cambios sin previo aviso.

| Modelo | Tensión           | Potencia | Corriente | Capacidad en botellas | Refrigerante | Rango de temp. | Dimensiones a. x a. x f. mm | Peso (kg) |
|--------|-------------------|----------|-----------|-----------------------|--------------|----------------|-----------------------------|-----------|
| CB058  | 220-240V~<br>50Hz | 85W      | 0,6A      | 16                    | R600a        | 5-18°C         | 560 x 430 x 450             | 17        |

| Modelo | Temperatura ambiente adecuada |
|--------|-------------------------------|
| CB058  | +16°C ~ +32°C                 |

### Impacto de los ajustes de temperatura en el desperdicio de alimentos:

Para reducir el desperdicio de alimentos por descomposición o deshidratación, este aparato debe funcionar en su rango de funcionamiento designado.

Temperatura óptima para el almacenamiento de alimentos: 12°C

### Para pedir piezas de repuesto, contáctese con su distribuidor Polar:

<https://www.polar-refrigerator.com/stockist>



### Período mínimo de piezas de repuesto que deben estar disponibles:

Las manijas de las puertas, las bisagras de las puertas, las bandejas y las cestas estarán disponibles durante un mínimo de siete años después de la comercialización de la última unidad del modelo. También se pondrá a disposición de los usuarios profesionales otra selección de repuestos técnicos durante un mínimo de siete años. Las juntas de las puertas estarán disponibles durante un mínimo de 10 años.

### La información sobre el modelo se puede encontrar en la base de datos de productos:

<https://eprel.ec.europa.eu/screen/product/refrigeratingappliances2019>



### La información sobre el modelo se puede encontrar en el producto:

El identificador del modelo suele encontrarse en la pared interior y en el reverso de la unidad.

Nota: Polar ofrece una garantía mínima de 2 años, contáctese con el representante autorizado para obtener más detalles.



## Cableado Eléctrico

El enchufe tiene que conectarse a una toma eléctrica adecuada.

Este aparato está conectado de la forma siguiente:

- Cable cargado (de color marrón) al terminal marcado como L
- Cable neutro (de color azul) al terminal marcado como N
- Cable de tierra (de color verde / amarillo) al terminal marcado como E

Este aparato debe conectarse a una toma de tierra.



Si tiene alguna duda, consulte a un electricista cualificado.

Los puntos de aislamiento eléctrico deben mantenerse libres de cualquier obstrucción. En caso de precisarse una desconexión de emergencia, deben estar disponibles de forma inmediata.

## Desecho

Las normativas de la UE requieren que los productos de refrigeración sean desechados por compañías especializadas que extraigan o reciclen todos los gases, componentes metálicos y de plástico.

Consulte a su autoridad local de recogida de residuos a la hora de desechar su aparato. Las autoridades locales no están obligadas a eliminar los equipos de refrigeración comerciales pero pueden ofrecer consejo sobre cómo desechar los equipos localmente.

Otra opción es llamar a la línea de asistencia de POLAR para pedir información sobre las compañías nacionales de desechos de la UE.

## Cumplimiento

El logotipo WEEE en este producto o su documentación indica que no debe eliminarse como un residuo doméstico. Para ayudar a prevenir posibles daños a la salud humana y/ o el medio ambiente, el producto debe eliminarse en un proceso de reciclaje aprobado y medioambientalmente seguro. Para obtener más información sobre cómo eliminar correctamente este producto, póngase en contacto con el proveedor del mismo o la autoridad local responsable de la eliminación de residuos en su zona.



Las piezas POLAR han pasado estrictas pruebas de productos para cumplir las especificaciones y normas reguladoras establecidas por las autoridades internacionales, independientes y federales.



Los productos POLAR han sido autorizados para llevar el símbolo siguiente:

**Reservados todos los derechos. Puede estar prohibida la reproducción o transmisión en cualquier forma o por cualquier medio electrónico, mecánico, de fotocopiado, registro o de otro tipo, de cualquier parte de estas instrucciones sin la autorización previa y por escrito de POLAR.**

**Se ha hecho todo lo posible para garantizar que todos los datos son correctos en el momento de su publicación; sin embargo, POLAR se reserva el derecho a modificar las especificaciones sin que medie notificación previa.**

# DECLARATION OF CONFORMITY

- Conformanceverklaring • Déclaration de conformité • Konformitätserklärung • Dichiarazione di conformità • Declaración de conformidad • Declaração de conformidade

|  |   |
|--|---|
| Equipment Type • Uitrustingstype • Type d'équipement • Gerätetyp<br>• Tipo di apparecchiatura • Tipo de equipo • Tipo de equipamento   | Model • Modèle • Modell • Modello<br>• Modelo • Malli   |
| C-series Tabletop Wine Cooler  | CB058 (& -E)  |
| Application of Territory Legislation & Council Directives(s)<br>Toepassing van Europese Richtlijn(en)<br>• Application de la/des directive(s) du Conseil • Anwendbare EU-Richtlinie(n)<br>• Applicazione delle Direttive<br>• Aplicación de la(s) directiva(s) del consejo • Aplicação de directiva(s) do Conselho | <p><b>Low Voltage Directive (LVD) - 2014/35/EU</b><br/>Electrical Equipment (Safety) Regulations 2016<br/>EN 60335-1:2012 +A11:2014 +A13:2017<br/>EN 60335-2-24:2010 +A1:2019 +A2:2019<br/>EN 62233:2008</p> <p><b>Electro-Magnetic Compatibility (EMC) Directive 2014/30/EU - recast of 2004/108/EC</b><br/>Electromagnetic Compatibility Regulations 2016 (S.I. 2016/1091)<br/>EN 55014-1:2017<br/>EN 55014-2:2015<br/>EN IEC 61000-3-2:2019<br/>EN 61000-3-3:2013 +A1:2019</p> <p><b>Restriction of Hazardous Substances Directive (RoHS) 2015/863 amending Annex II to Directive 2011/65/EU</b><br/>Restriction of the Use of Certain Hazardous Substances in Electrical and Electronic Equipment Regulations 2012 (S.I. 2012/3032)</p> |
| Producer Name • Naam fabrikant • Nom du producteur • Name des Herstellers<br>• Nome del produttore • Nombre del fabricante • Nome do fabricante  | <b>Polar</b>  |

I, the undersigned, hereby declare that the equipment specified above conforms to the above Territory Legislation, Directive(s) and Standard(s).

Ik, de ondergetekende, verklaar hierbij dat de hierboven gespecificeerde uitrusting goedgekeurd is volgens de bovenstaande Richtlijn(en) en Standaard(en).

Je soussigné, confirme la conformité de l'équipement cité dans la présente à la / aux Directive(s) et Norme(s) ci-dessus

Ich, der/die Unterzeichnende, erkläre hiermit, dass das oben angegebene Gerät der/den oben angeführten Richtlinie(n) und Norm(en) entspricht.

Il sottoscritto dichiara che l'apparecchiatura di sopra specificata è conforme alle Direttive e agli Standard sopra riportati.

El abajo firmante declara por la presente que el equipo arriba especificado está en conformidad con la(s) directiva(s) y estándar(es) arriba mencionadas.

Eu, o abaixo-assinado, declaro que o equipamento anteriormente especificado está em conformidade com a(s) anterior(es) Directiva(s) e Norma(s)

Date • Data • Date • Datum • Data • Fecha • Data

Signature • Handtekening • Signature • Unterschrift Firma • Firma • Assinatura

Full Name • Volledige naam • Nom et prénom • Vollständiger Name • Nome completo • Nombre completo • Nome por extenso

Position • Functie • Fonction • Position • Qualifica • Posición • Função

Producer Address • Adres fabrikant • Adresse du producteur • Anschrift des Herstellers • Indirizzo del produttore • Dirección del fabricante • Morada do fabricante

4<sup>th</sup> June 2021

DocuSigned by:

*Ashley Hooper*  
B39382C9FD9C478...

Ashley Hooper

Technical & Quality Manager

Fourth Way,  
Avonmouth,  
Bristol,  
BS11 8TB  
United Kingdom

DocuSigned by:

*Eoghan Donnellan*  
D352874F7FAB460...

Eoghan Donnellan

Commercial Manager/ Importer

Unit 9003,  
Blarney Business Park,  
Blarney,  
Co. Cork,  
Ireland





|              |                            |
|--------------|----------------------------|
| <b>UK</b>    | <b>+44 (0)845 146 2887</b> |
| <b>Eire</b>  |                            |
| <b>NL</b>    | <b>040 – 2628080</b>       |
| <b>FR</b>    | <b>01 60 34 28 80</b>      |
| <b>BE-NL</b> | <b>0800-29129</b>          |
| <b>BE-FR</b> | <b>0800-29229</b>          |
| <b>DE</b>    | <b>0800 – 1860806</b>      |
| <b>IT</b>    | <b>N/A</b>                 |
| <b>ES</b>    | <b>901-100 133</b>         |

# POLAR



<http://www.polar-refrigerator.com/> 

CB058\_ML\_A5\_v2\_2023/10/10