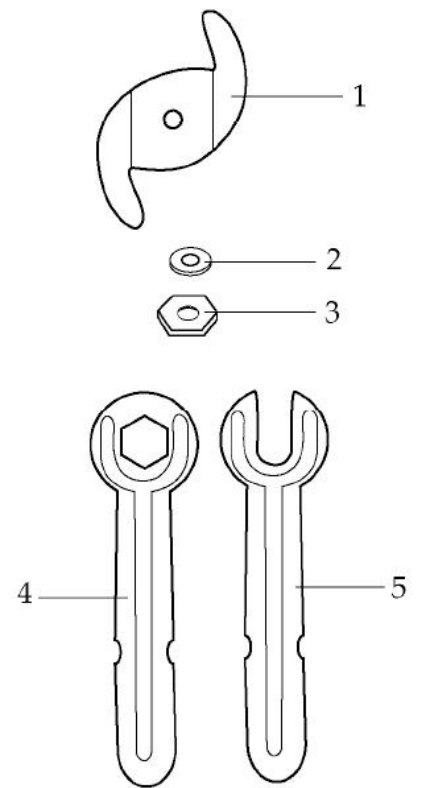




First Configuration



Current Configuration



Machine	Machine Waring Code	Exploded No.	Nisbets Code	Description	Stocked
J772	WSB33K	1	n/a	Blade	n/a
J772	WSB33K	2	n/a	Washer	n/a
J772	WSB33K	3	n/a	Hex Nut	n/a
J772	WSB33K	4	n/a	Nut Wrench	n/a
J772	WSB33K	5	n/a	Open End W	n/a

Please contact 0845 111 0281