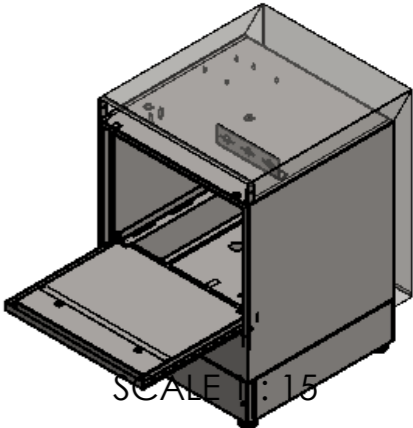
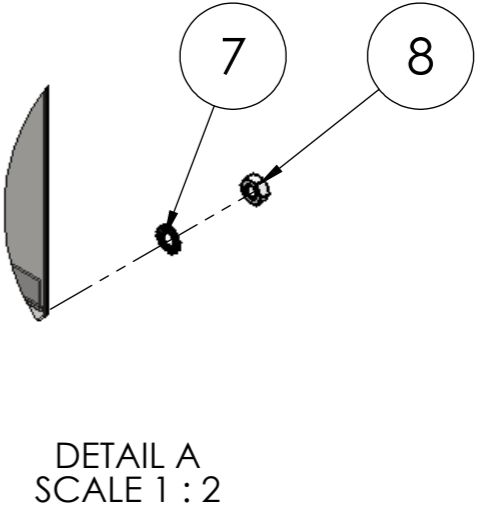
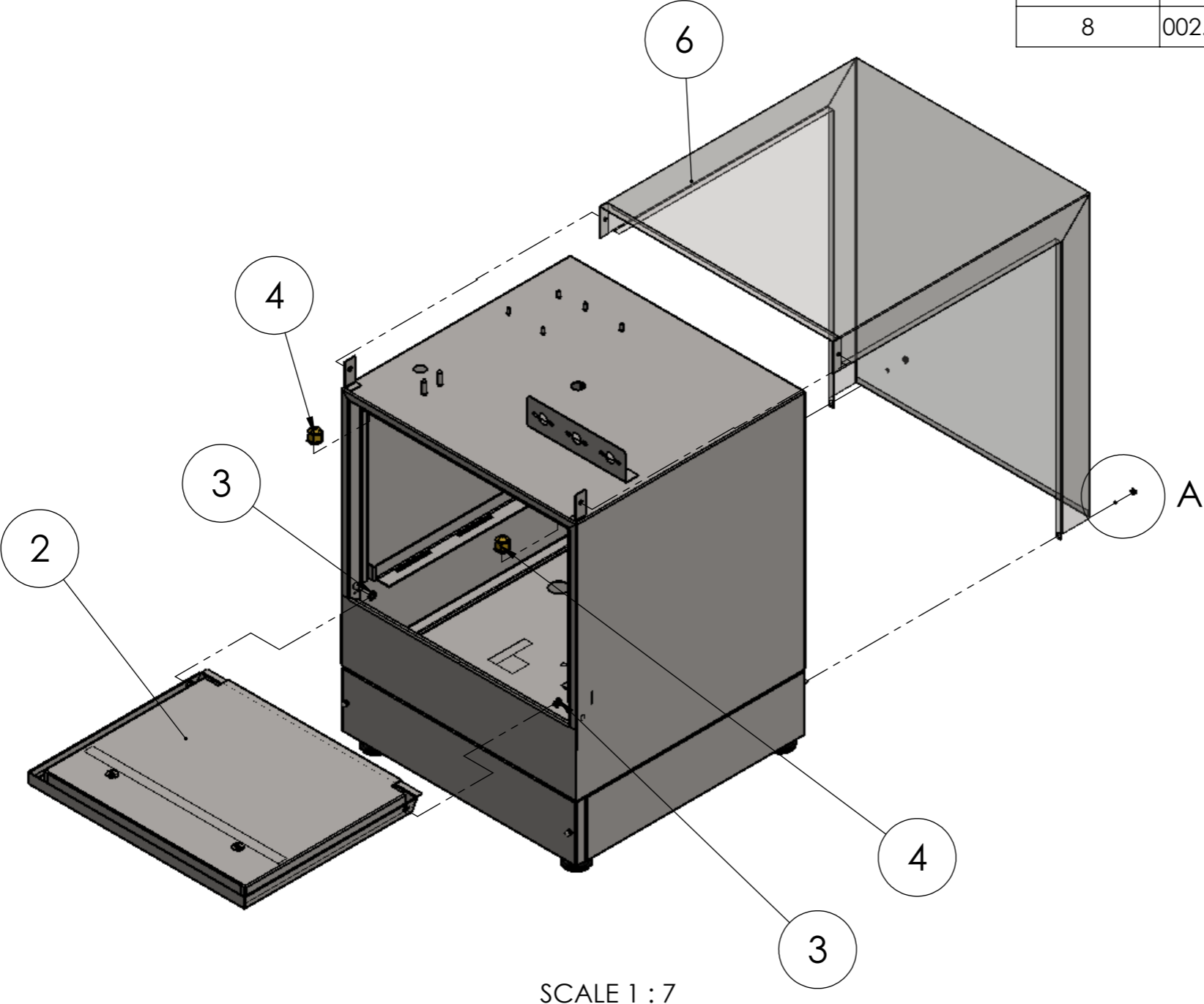
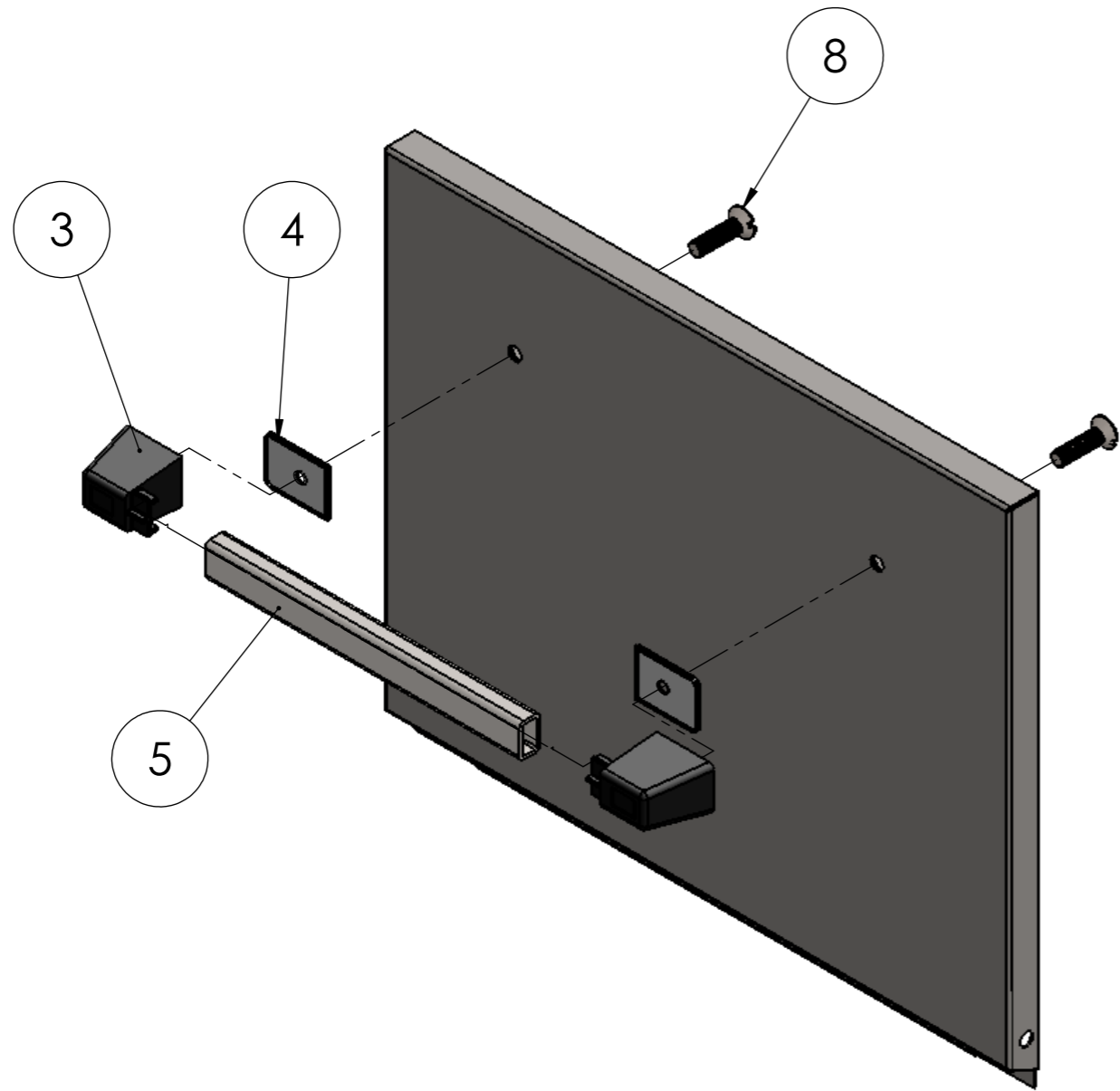


ITEM NO.	PART NUMBER	DESCRIPTION	QTY.
2	001.35.00042	DOOR COMPLETE BARLINE 35	1
3	001.00.00045	TEFLON WASHER $\Phi 12,5 \times 8 \times 2,5$	2
4	001.00.00051	DOOR SNAP SET	2
6	001.35.00047	TOP AND BACK INOX COVER B35	1
7	002.00.00140	LOCK WASHER INOX $\Phi 4$	2
8	002.00.00095	INOX NUT M4	2

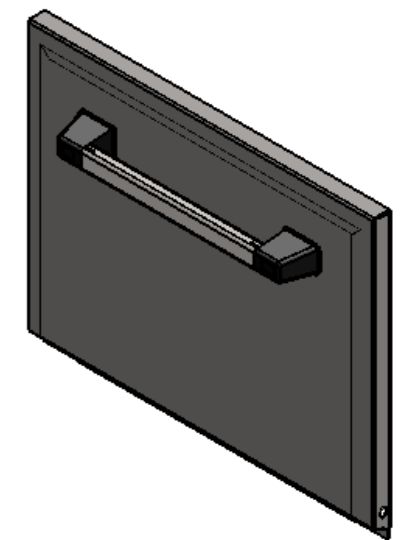


SERIES DESCRIPTION: GLASS WASHER		MODEL DESCRIPTION: B35	ITEM CODE:	ITEM DESCRIPTION: STEEL STRUCTURE	
		MODEL VERSION: BARLINE 35 230V~N, 50/60Hz	MODEL CODE: 004.35.00000	PAGE: 2	REVISION: 0

ITEM NO.	PART NUMBER	DESCRIPTION	QTY.
3	001.00.00161	BASE FOR HANDLE	2
4	002.00.00057	DOOR HANDLE PLASTIC FLANGE	2
5	001.00.00021	ALUMINIUM HANDLE B35/EU40	1
8	003.00.00211		2

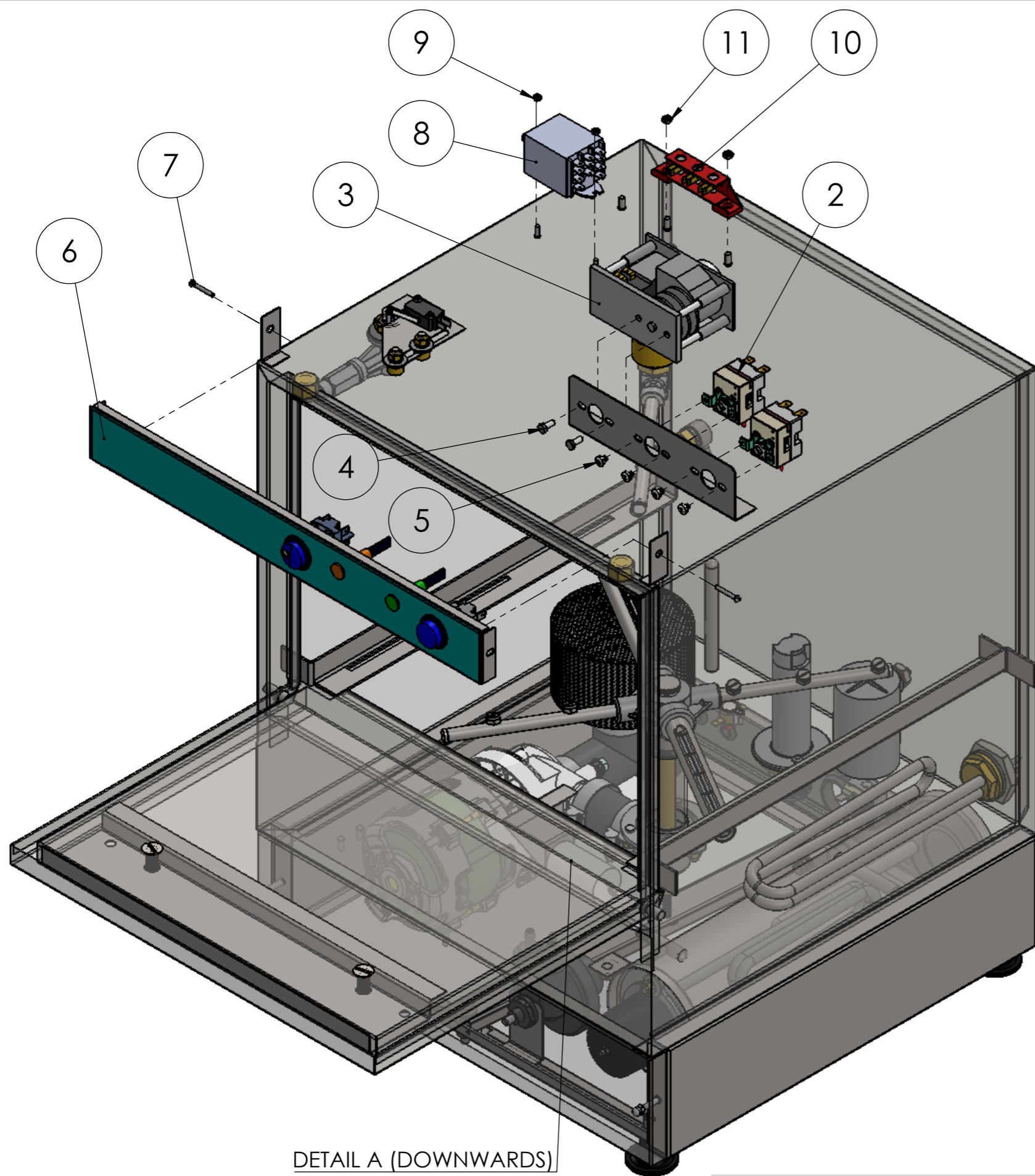


SCALE 1 : 3



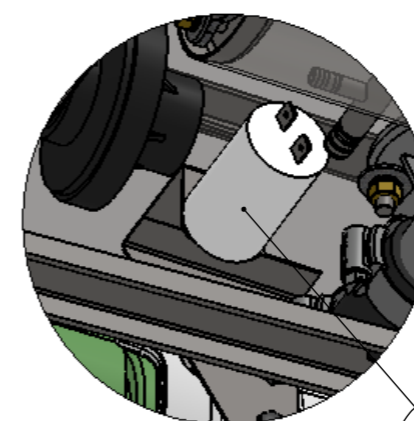
SCALE 1 : 6

SERIES DESCRIPTION: GLASS WASHER		MODEL DESCRIPTION: B35		ITEM CODE: 001.35.00042		ITEM DESCRIPTION: DOOR COMPLETE BARLINE 35	
				MODEL VERSION: BARLINE35 230V~N, 50/60Hz		MODEL CODE:004.15.00000	
						PAGE: 1	
						REVISION: 0	



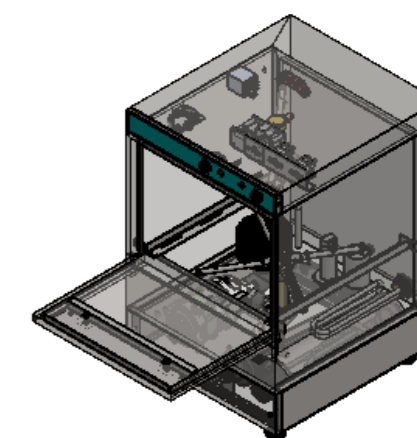
DETAIL A (DOWNWARDS)

ITEM NO.	PART NUMBER	DESCRIPTION	QTY.
2	003.00.00213	THERMOSTAT 0-90oC 1500mm	2
3	003.00.00448	TIMER 120 SEC. Q.START	1
4	003.00.00046	GALV. BOLT M4X10	2
5	001.00.00076	GALVANIZED MACHINE SCREW M4 X 5	4
6	003.35.00001	DISPLAY PANEL COMPLETE B35	1
7	001.00.00213	INOX SCREW M4X15	2
8	003.00.00082	MICRO RELAY 11 PINS WITH FASTON	1
9	002.00.00090	GALV. NUT M3	2
10	003.00.00392	POWER SUPPLY BOARD THREE CON.	1
11	003.00.00046	GALV. NUT M4	2
12	003.00.00588	CAPACITOR 5MF	1



DETAIL A
SCALE 2 : 5

12



SCALE 1 : 15

ITEM CODE:

ITEM DESCRIPTION: ELECTRICAL EQUIPMENT

SERIES DESCRIPTION: GLASS WASHER

MODEL DESCRIPTION: B35

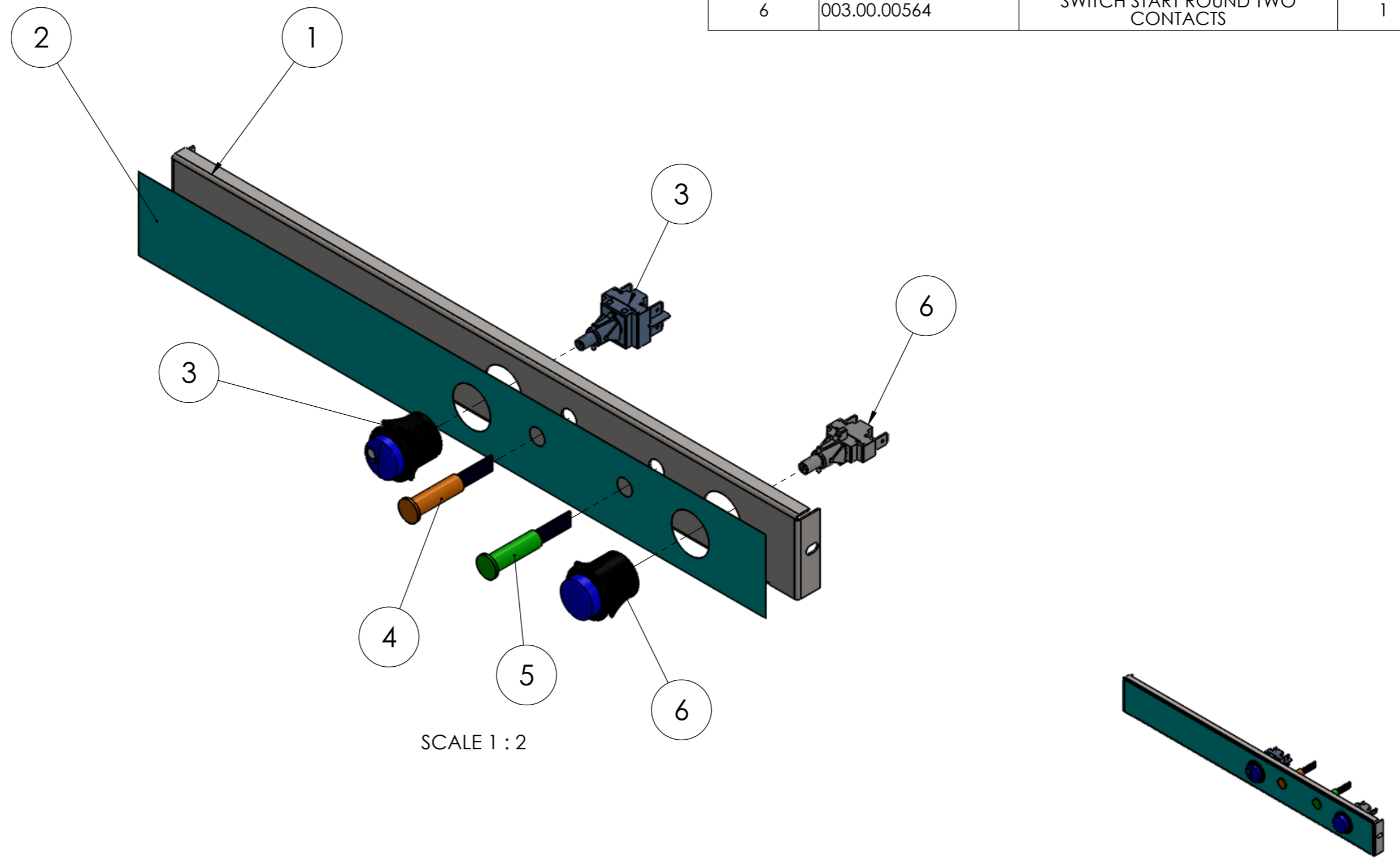
MODEL VERSION: BARLINE 35
230V ~N, 50/60Hz

MODEL CODE: 004.35.00000

PAGE: 1

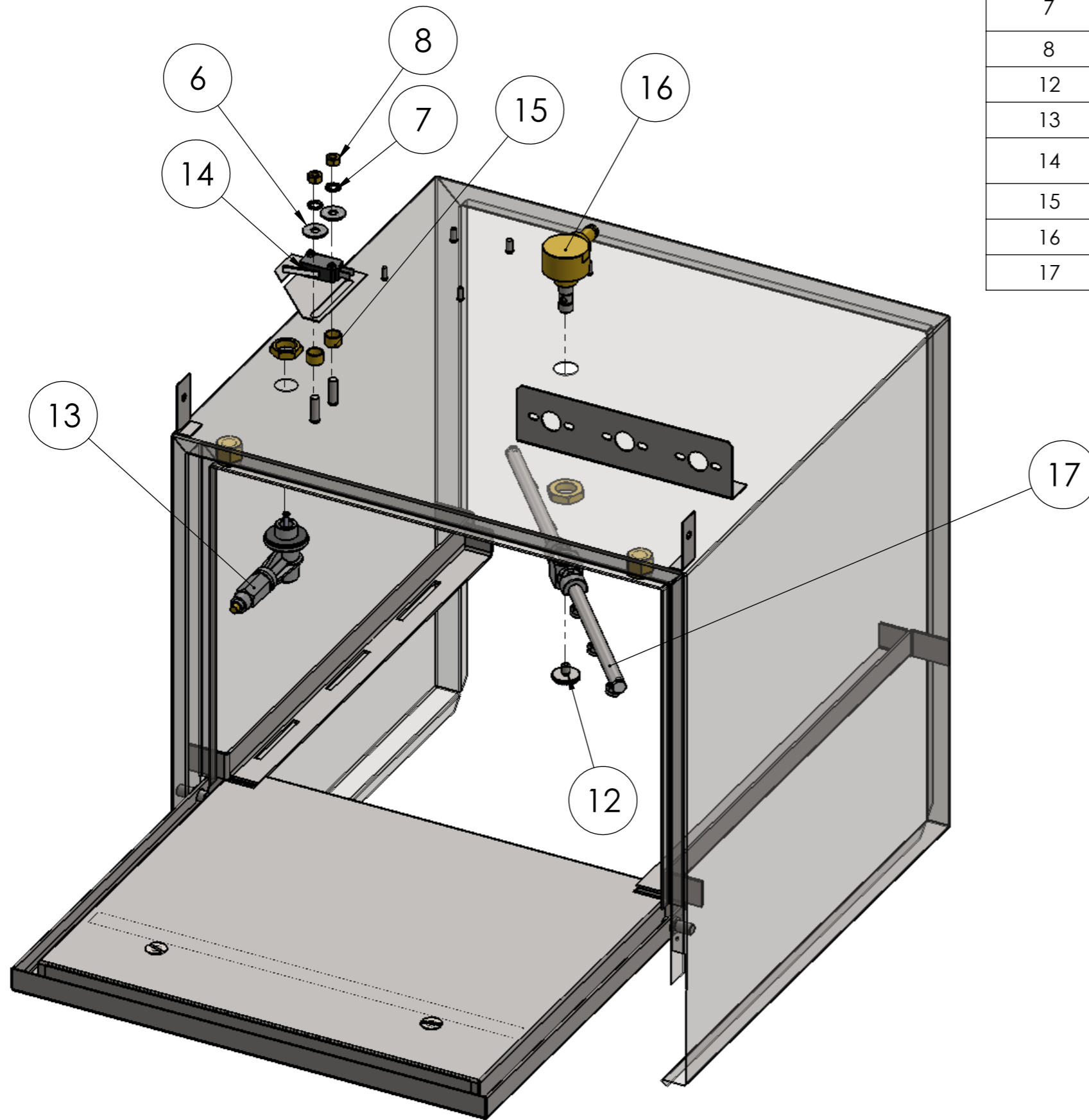
REVISION: 0

ITEM NO.	PART NUMBER	DESCRIPTION	QTY.
1	001.35.00063	SWITCH PANEL INOX FOR B35	1
2	003.35.00000	MEMBRANE FOR B35	1
3	003.00.00563	SWITCH ON-OFF ROUND 4 CONT.	1
4	003.00.00028	INDICATOR ORANGE	1
5	003.00.00176	INDICATOR GREEN	1
6	003.00.00564	SWITCH START ROUND TWO CONTACTS	1



SCALE 1 : 2

SERIES DESCRIPTION: GLASS WASHER		MODEL DESCRIPTION: B35		ITEM CODE:003.35.00001	ITEM DESCRIPTION: DISPLAY PANEL COMPLETE B35
		MODEL VERSION: BARLINE 35 230V ~N, 50/60Hz		MODEL CODE: 004.35.00000	PAGE: 1
				REVISION: 0	



ITEM NO.	PART NUMBER	DESCRIPTION	QTY.
6	003.00.00516	WASHER STEEL $\Phi 6 \times 18$	2
7	001.00.00204	GALVANIZED LOCK WASHER 6,4x11x0,7	2
8	003.00.00041	GALVANIZED NUT M6	2
12	002.50.00004-1	LOCK NUT FOR RINSING ARM	1
13	003.00.00231	DOOR SWITCH MECH. PART	1
14	003.00.00426	DOOR SWITCH ELECTRICAL PART COMPLETE	1
15	003.00.00085	SPACER FOR DOOR SWITCH	2
16	002.35.00029	UPPER RINSING BASE COMPLETE	1
17	002.35.00023	RINSING UPPER GROUP BL35	1

ITEM CODE:

ITEM DESCRIPTION: MECHANICAL EQUIPMENT

SERIES DESCRIPTION: GLASS WASHER

MODEL DESCRIPTION: B35

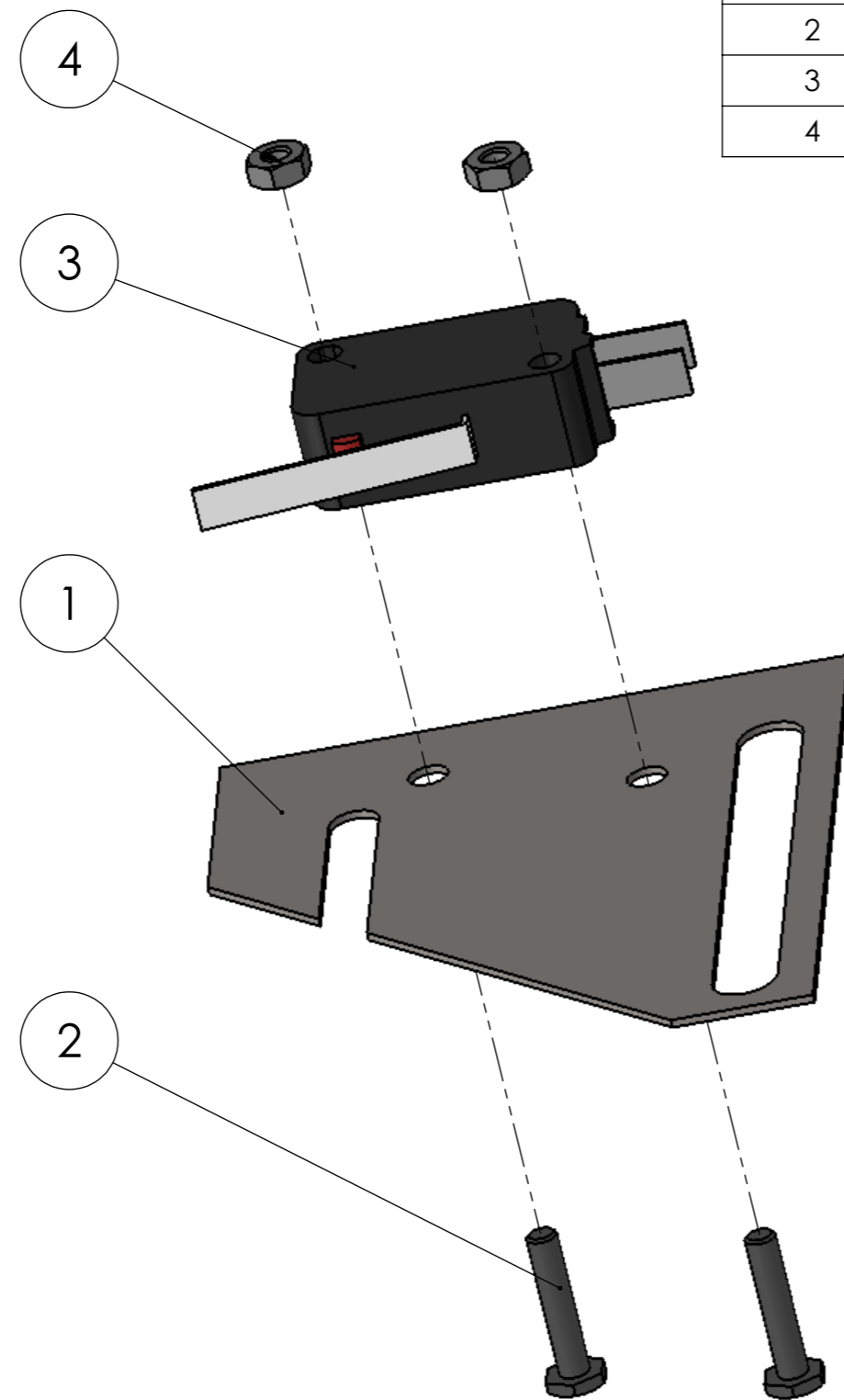
MODEL VERSION: BARLINE 35
230V ~N, 50/60Hz

MODEL CODE: 004.35.00000

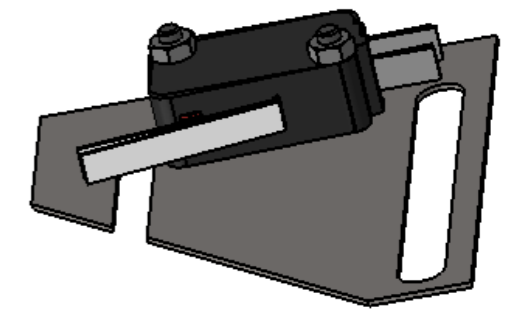
PAGE: 1

REVISION: 0

ITEM NO.	PART NUMBER	DESCRIPTION	VERGINA/QTY.
1	003.00.00077	BASE INOX FOR THE ELECTRICAL DOOR SWITCH	1
2	003.00.00065	GALV. HEX. BOLT M3X16	2
3	003.00.00069	DOOR MICRO SWITCH	1
4	002.00.00090	GALV. NUT M3	2

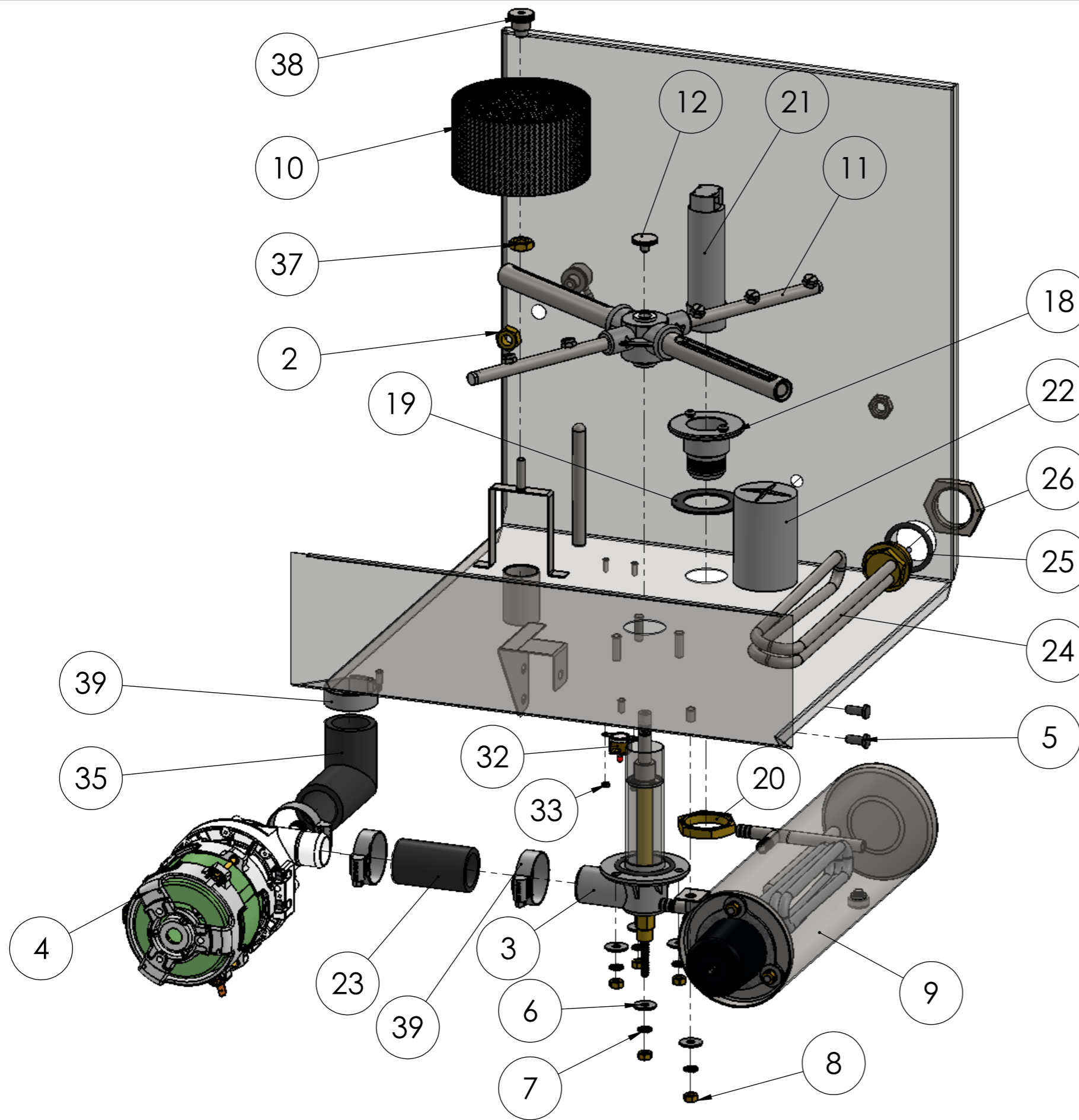


SCALE 1.5 : 1



SCALE 1 : 1

SERIES DESCRIPTION: GLASS WASHER		MODEL DESCRIPTION: B35		ITEM CODE: 003.00.00426	ITEM DESCRIPTION: ELECTRICAL DOOR SWITCH COMPLETE		
		MODEL VERSION: BARLINE 35 230V ~N, 50/60Hz		MODEL CODE: 004.35.00000		PAGE: 1	REVISION: 0



ITEM NO.	PART NUMBER	DESCRIPTION	QTY.
2	002.00.00233	DETERGENT TANK INJECTOR	1
3	002.35.00041	LOWER WASH & RINSE BASE COMPLETE	1
4	003.00.00060	PUMP 0,10 HP 50HZ 230V	1
5	003.00.00485	M6 GALVANISED BOLT	2
6	003.00.00516	WASHER STEEL $\Phi 6 \times 18$	5
7	001.00.00204	GALVANIZED LOCK WASHER 6,4x11x0,7	5
8	003.00.00041	GALVANIZED NUT M6	5
9	006.35.00001	BOILER WITH HEATING ELEMENT COMPLETE B35	1
10	002.70.00000-1	FILTER IN THE TANK FOR THE PUMP B35	1
11	002.35.00035	WASH AND RINSE CROSS COMPLETE B35	1
12	002.50.00004-1	LOCK NUT FOR RINSING ARM	1
18	002.00.00257	DRAIN AND OVERFLOW VALVE PLASTIC BASE	1
19	002.00.00238	RUBBER GASKET 35X55X1	1
20	002.00.00133	BRONZE NUT M36	1
21	002.30.00007	DRAIN AND OVERFLOW VALVE PLASTIC PART	1
22	003.00.00552	PRESSOSTAT CHAMBER B35	1
23	002.35.00025	WASH PUMP HOSE BL35 $\Phi 28$	1
24	003.30.00000	HEATING ELEMENT TANK BL	1
25	002.00.00096	O-RING 31.5 X 3.5	1
26	002.00.00086	NUT 1"	1
32	003.00.00168	TANK THERMOFUSE 90°C	1
33	002.00.00090	GALV. NUT M3	2
35	002..35.00048	PUMP INLET HOSE	1
37	001.00.00093	M10 NUT INOX	1
38	001.00.00017	FILTER RETAINING NUT	1
39	002.00.00048	CLAMP 25-40	4

ITEM CODE:

ITEM DESCRIPTION: MECHANICAL EQUIPMENT

SERIES DESCRIPTION: GLASS WASHER

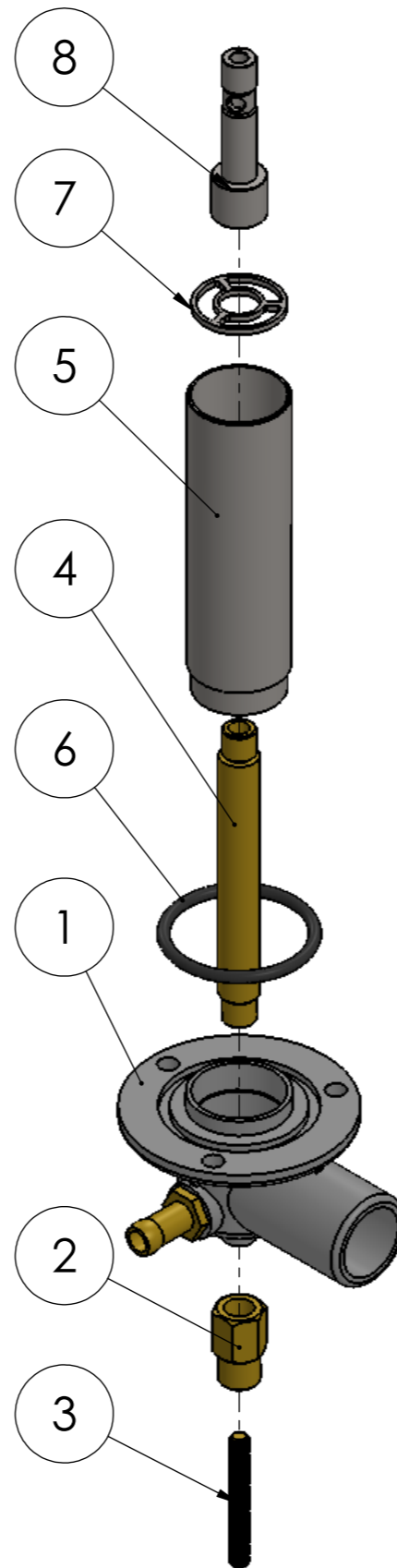
MODEL DESCRIPTION: B35

MODEL VERSION: BARLINE 35
230V ~N, 50/60Hz

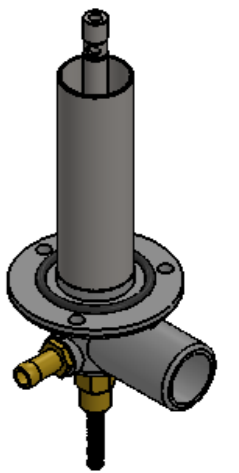
MODEL CODE: 004.35.00000

PAGE: 2

REVISION: 0



ITEM NO.	PART NUMBER	DESCRIPTION	QTY.
1	002.35.00019	BOTTOM PLASTIC BASE B35	1
2	002.35.00024	HEXAGON BRONZE SPACER 4X25 M6	1
3	002.35.00046	BRONZE SHAFT M6X45	1
4	002.35.00015	BRONZE SHAFT Φ 12X102 M10 B35	1
5	002.35.00007	WASHING BASE INOX PIPE Φ 30	1
6	002.00.00092	ORING Φ 40X3,5	1
7	002.35.00006	INOX ROUND SPACER Φ 30	1
8	002.35.00016	INOX AXLE Φ 16 M6	1



SCALE 1 : 3

ITEM CODE: 002.35.00041

ITEM DESCRIPTION: LOWER WASH & RINSE BASE COMPLETE

SERIES DESCRIPTION: GLASS WASHER

MODEL DESCRIPTION: B35

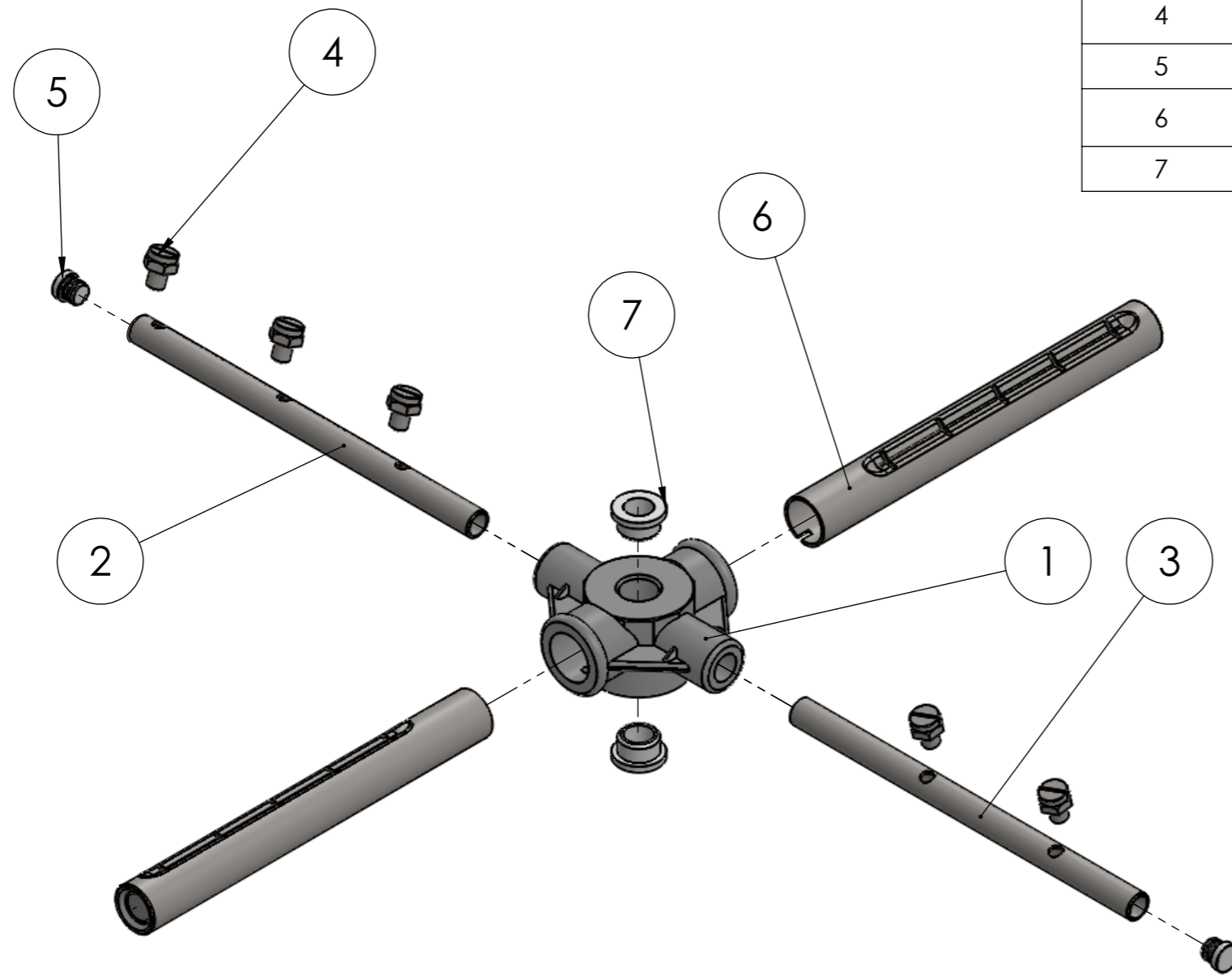
MODEL VERSION: BARLINE35
230V~N, 50/60Hz

MODEL CODE: 004.35.00000

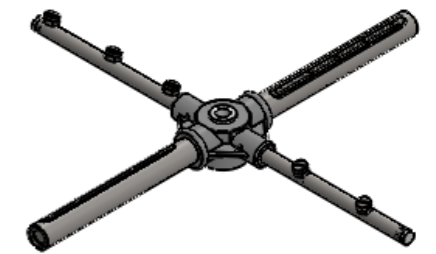
PAGE: 1

REVISION: 0

ITEM NO.	PART NUMBER	DESCRIPTION	QTY.
1	002.35.00018	RINSING-WASHING GROUP CROSS BL-EU	1
2	002.35.00022-B	RINSING ARM-B	1
3	002.35.00022-A	RINSING ARM-A	1
4	002.11.00008	SPRAYER FOR RINSING ARM BL,EU,VE,KN,1500	5
5	002.35.00047	CAP FOR RINSE ARMS	2
6	002.35.00043	WASHING ARM BL 35 INOX Φ 18 X 1 X 157 mm	2
7	002.35.00026	TEFLON Φ 18 X 10	2

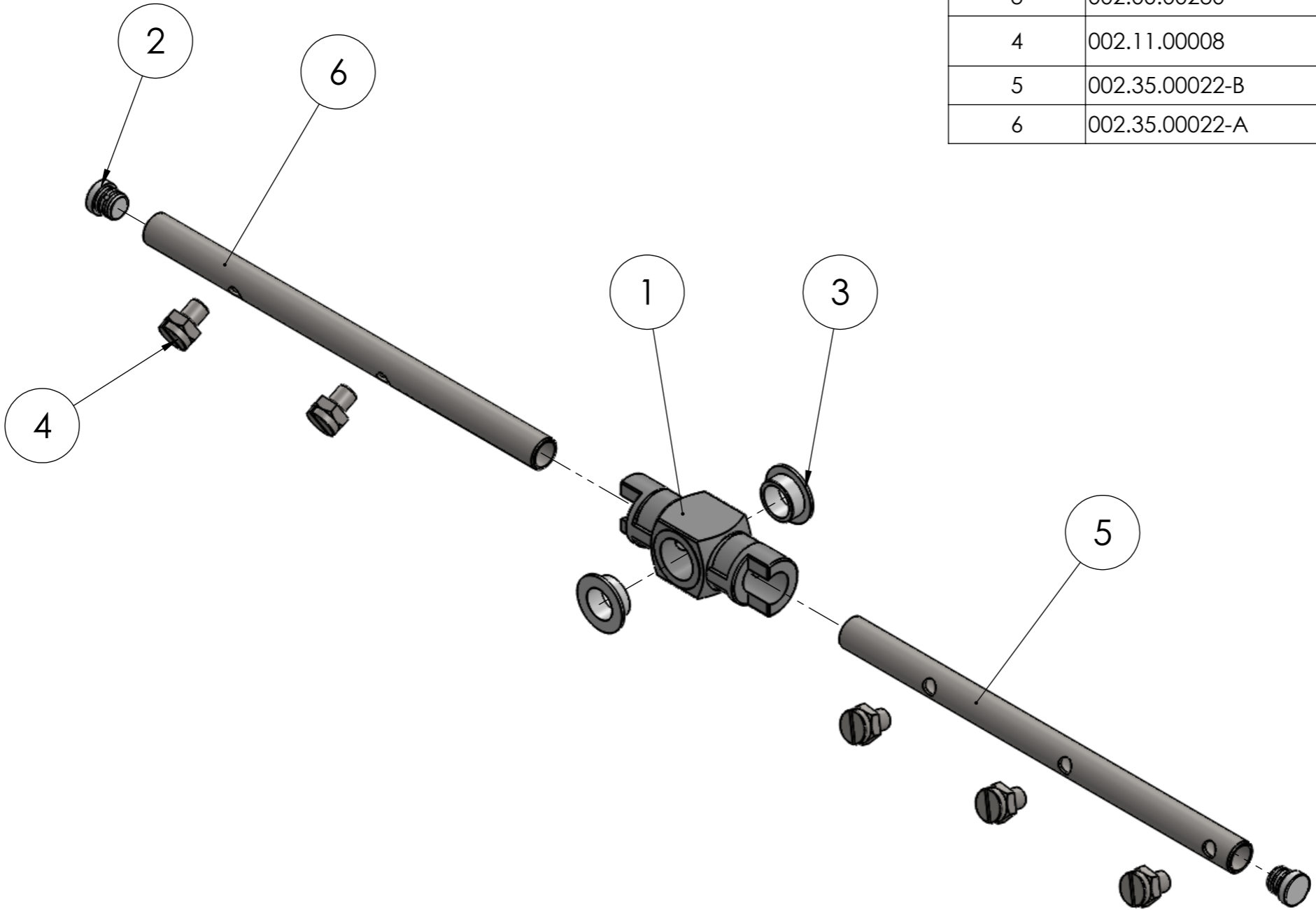


SCALE 1 : 2

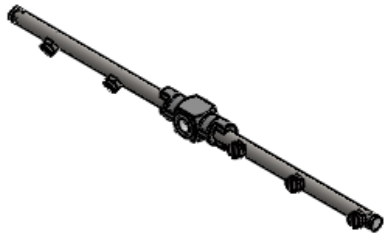


SERIES DESCRIPTION: GLASS WASHER		MODEL DESCRIPTION: B35		ITEM CODE: 002.35.00035	ITEM DESCRIPTION: RINSING AND WASHING CROSS BL-EU		
		MODEL VERSION: BARLINE 35 230V ~N, 50/60Hz		MODEL CODE: 004.35.00000	PAGE: 1	REVISION: 0	

ITEM NO.	PART NUMBER	DESCRIPTION	QTY.
1	002.50.00025	PLASTIC BASE FOR RINSING ARMS	1
2	002.35.00047	CAP FOR RINSE ARMS	2
3	002.00.00230	TEFLON Φ 18X6	2
4	002.11.00008	SPRAYER FOR RINSING ARM BL,EU,VE,KN,1500	5
5	002.35.00022-B	RINSING ARM-B	1
6	002.35.00022-A	RINSING ARM-A	1

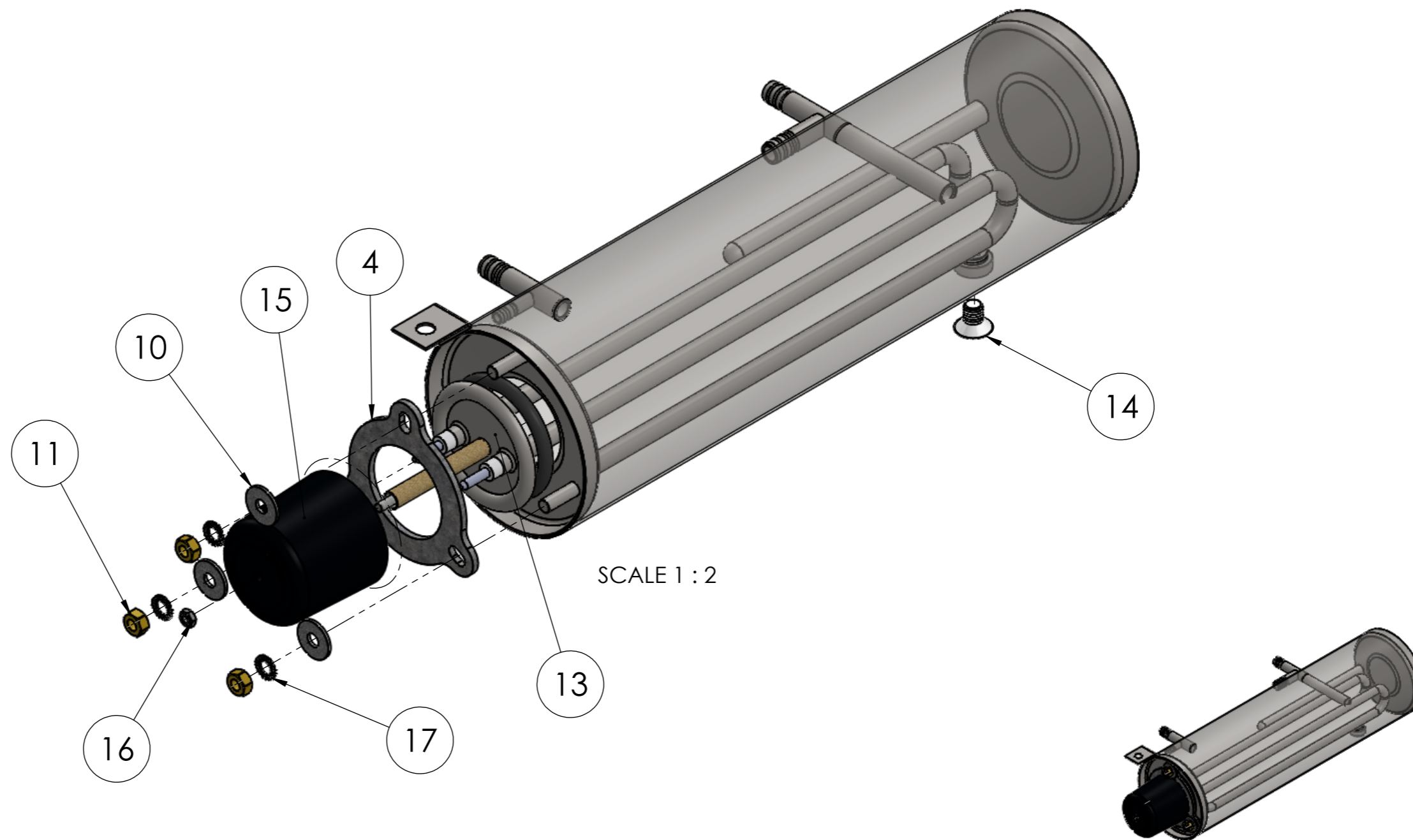


SCALE 1 : 1.5



SERIES DESCRIPTION: GLASS WASHER		MODEL DESCRIPTION: B35		ITEM CODE: 002.35.00023	ITEM DESCRIPTION: RINSING UPPER GROUP BL35
		MODEL VERSION: BARLINE 35 230V ~N, 50/60Hz		MODEL CODE: 004.35.00000	PAGE: 1
					REVISION: 0

ITEM NO.	PART NUMBER	DESCRIPTION	QTY.
4	003.00.00260	BOILER ELEMENT FITTING BASE	1
10	003.00.00516	WASHER STEEL $\Phi 6 \times 18$	3
11	003.00.00041	GALVANIZED NUT M6	3
13	003.35.00009	HEATING ELEMENT COMPLETE B35	1
14	003.00.00258	STAINLESS CAP SCREW M8X12	1
15	003.00.00004	HEATER ELEMENT COVER	1
16	003.00.00046	GALV. NUT M4	1
17	001.00.00204	GALVANIZED LOCK WASHER 6,4x11x0,7	3



ITEM CODE: 006.35.00001

ITEM DESCRIPTION: BOILER WITH HEATING ELEMENT COMPLETE

SERIES DESCRIPTION: GLASS WASHER

MODEL DESCRIPTION: B35

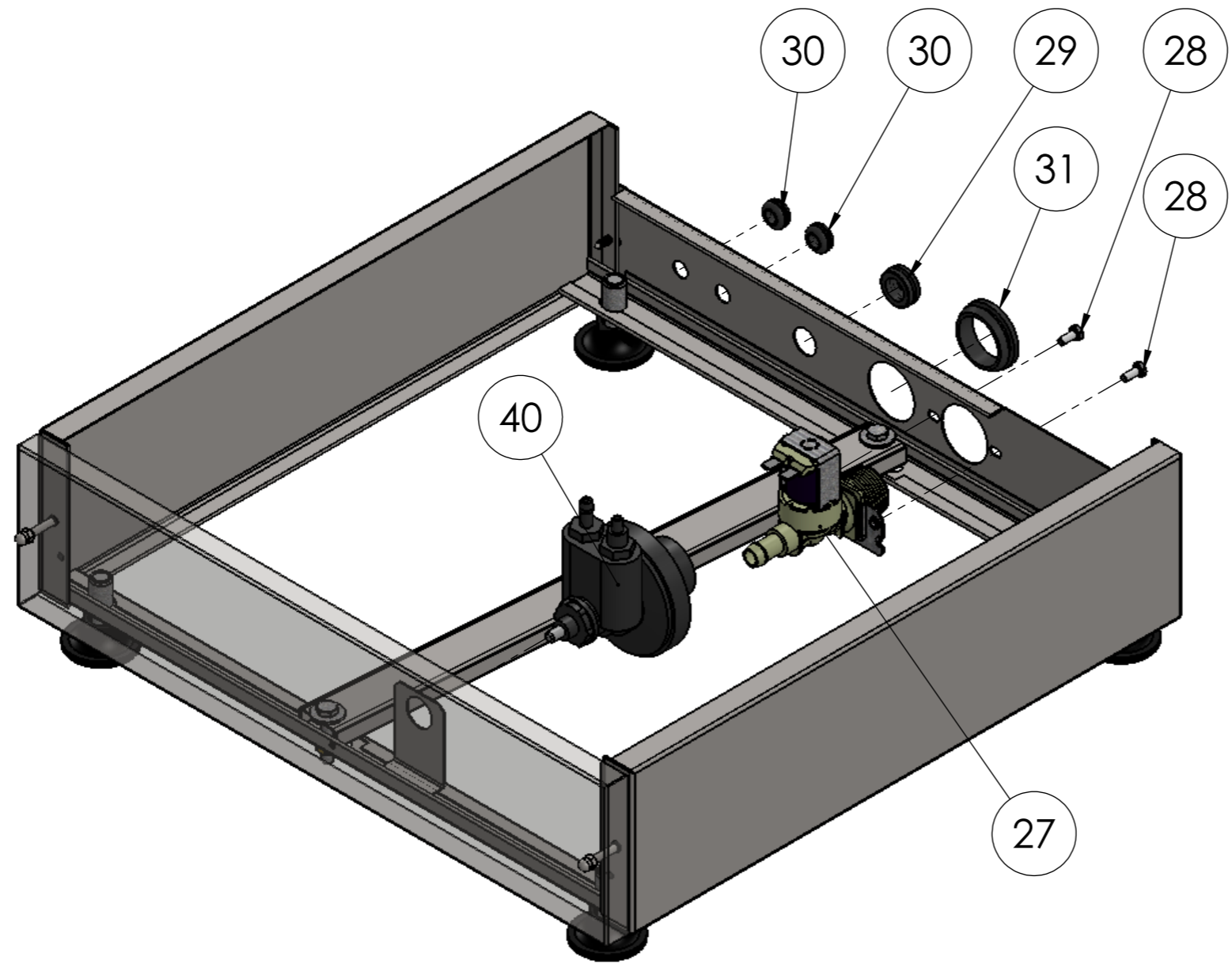
MODEL VERSION: BARLINE 35
230V ~N, 50/60Hz

MODEL CODE: 004.35.00000

PAGE: 1

REVISION: 0

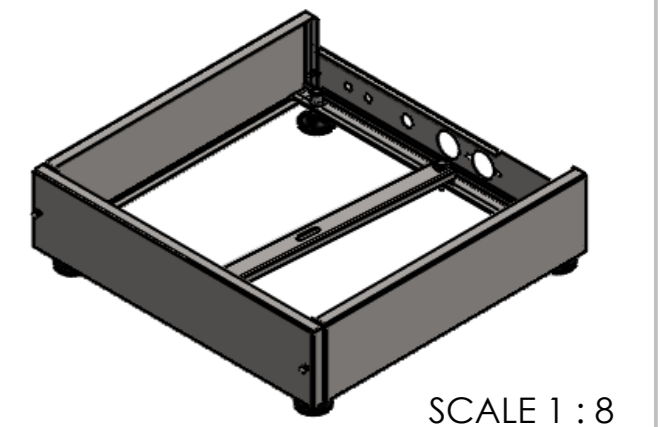
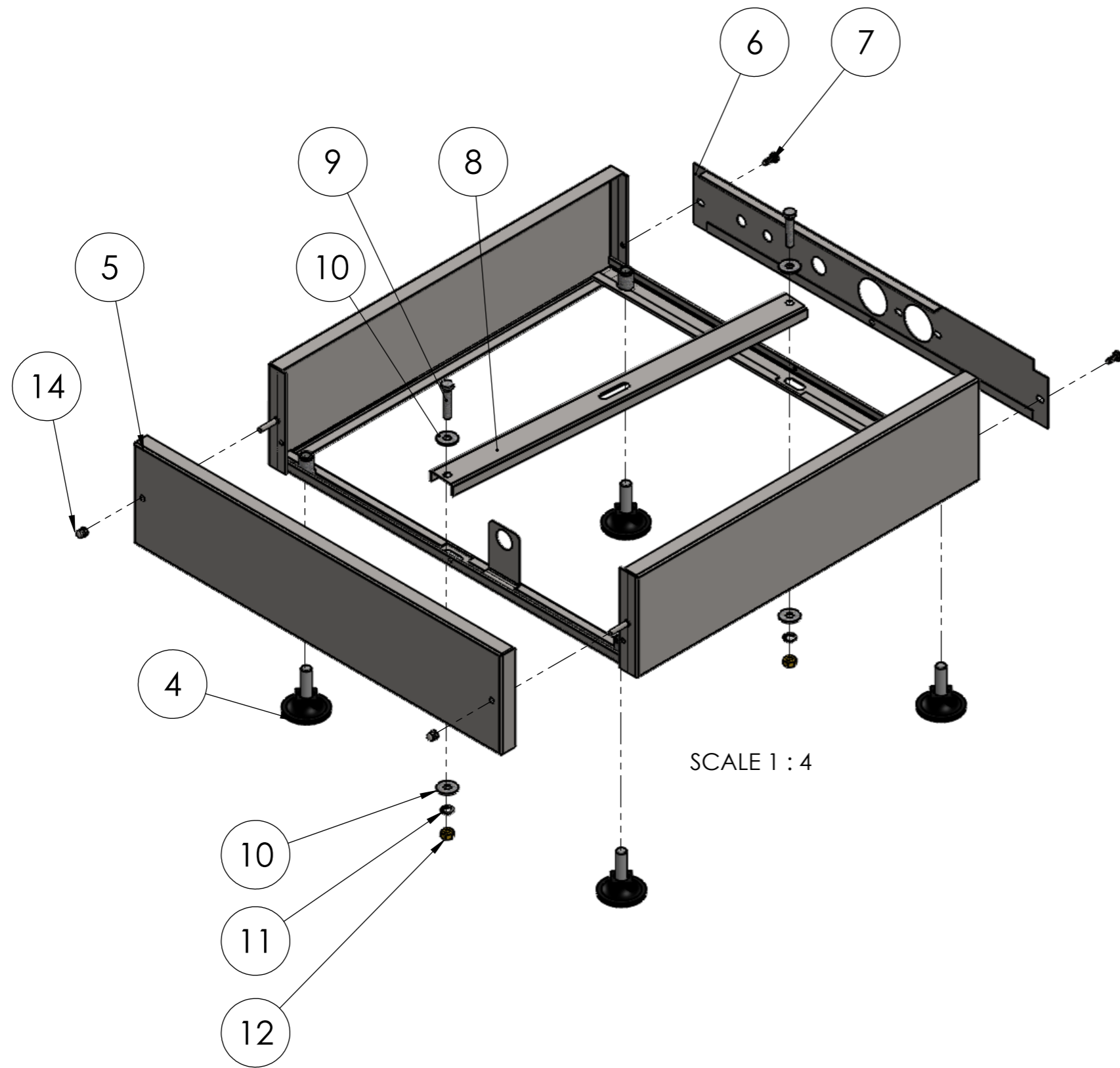
ITEM NO.	PART NUMBER	DESCRIPTION	QTY.
27	003.00.00031	WATER INPUT VALVE	1
28	003.00.00278	GALV. BOLT M4X10	2
29	003.00.00347	RUBBER CABLE PROTECTION N.01	1
30	003.00.00025	CABLE RUBBER PROTECTOR	2
31	003.00.00466	PIPE RUBBER PROTECTOR	1
40	003.00.00268	HYDRAULIC RINSE AID PUMP	1



SCALE 1 : 3

SERIES DESCRIPTION: GLASS WASHER		MODEL DESCRIPTION: B35		ITEM CODE:	ITEM DESCRIPTION: MECHANICAL EQUIPMENT		
		MODEL VERSION: BARLINE 35 230V ~N, 50/60Hz		MODEL CODE: 004.35.00000		PAGE: 3	REVISION: 0

ITEM NO.	PART NUMBER	DESCRIPTION	QTY.
4	001.00.00016	SMALL BLACK FOOT V500	4
5	001.35.00014	BASE INOX FRONT COVER B35	1
6	001.35.00017	BASE INOX BACK COVER B35	1
7	003.00.00309	INOX TAPPING SCREW $\Phi 4,2 \times 13$	2
8	001.35.00018	INOX STIFFENING PART B35	1
9	003.00.00286	GALVANIZED HEX BOLT M6X25	2
10	003.00.00516	WASHER STEEL $\Phi 6 \times 18$	4
11	001.00.00204	GALVANIZED LOCK WASHER 6,4x11x0,7	2
12	003.00.00041	GALVANIZED NUT M6	2
13	001.35.00033	BASE FOR RINSE AID VALVE	1
14	001.00.00117	DOME NUT M4	2



SERIES DESCRIPTION: GLASS WASHER		MODEL DESCRIPTION: B35		ITEM CODE:	ITEM DESCRIPTION: STEEL STRUCTURE (BASE)		
		MODEL VERSION: BARLINE 35 230V ~N, 50/60Hz		MODEL CODE: 004.35.00000	PAGE: 1	REVISION: 0	