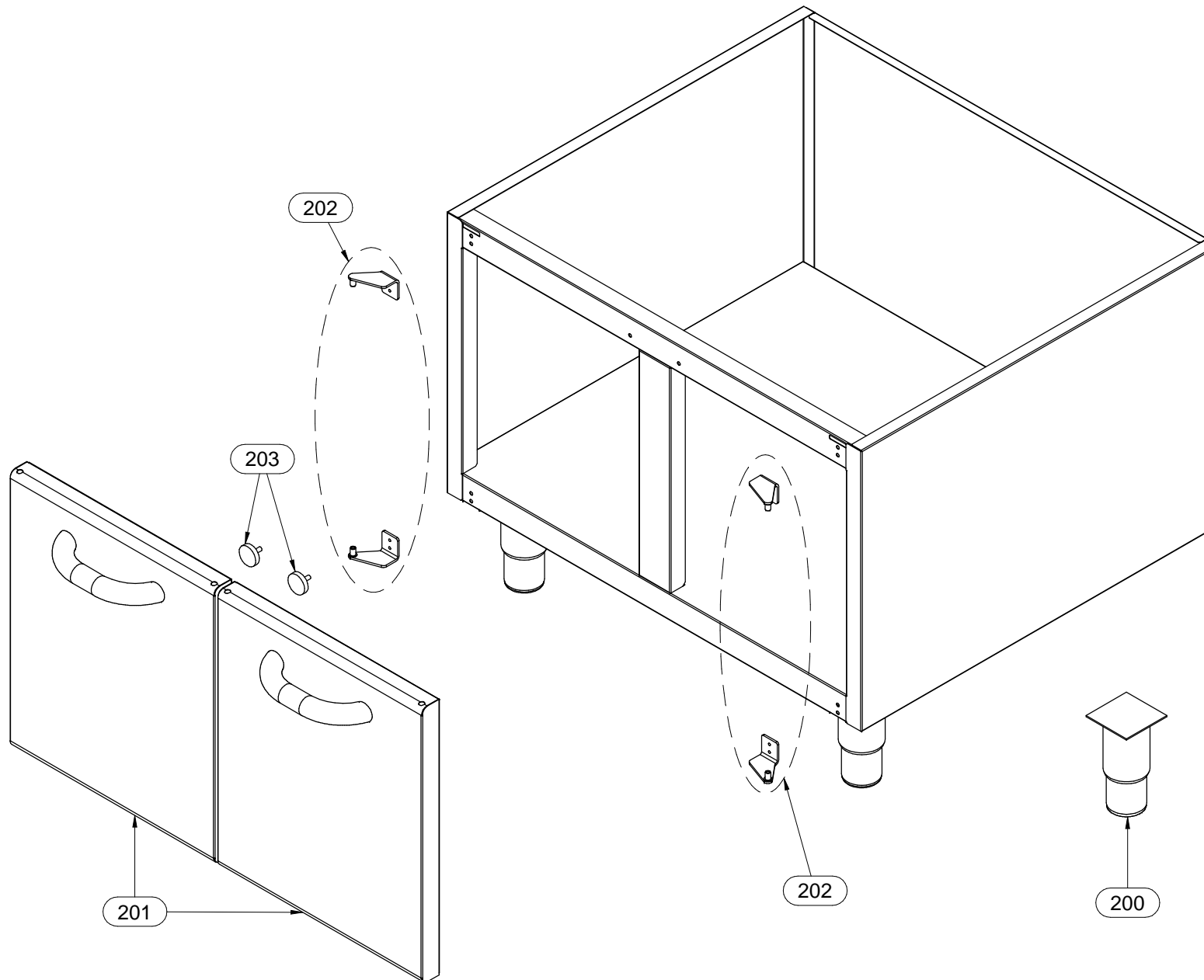
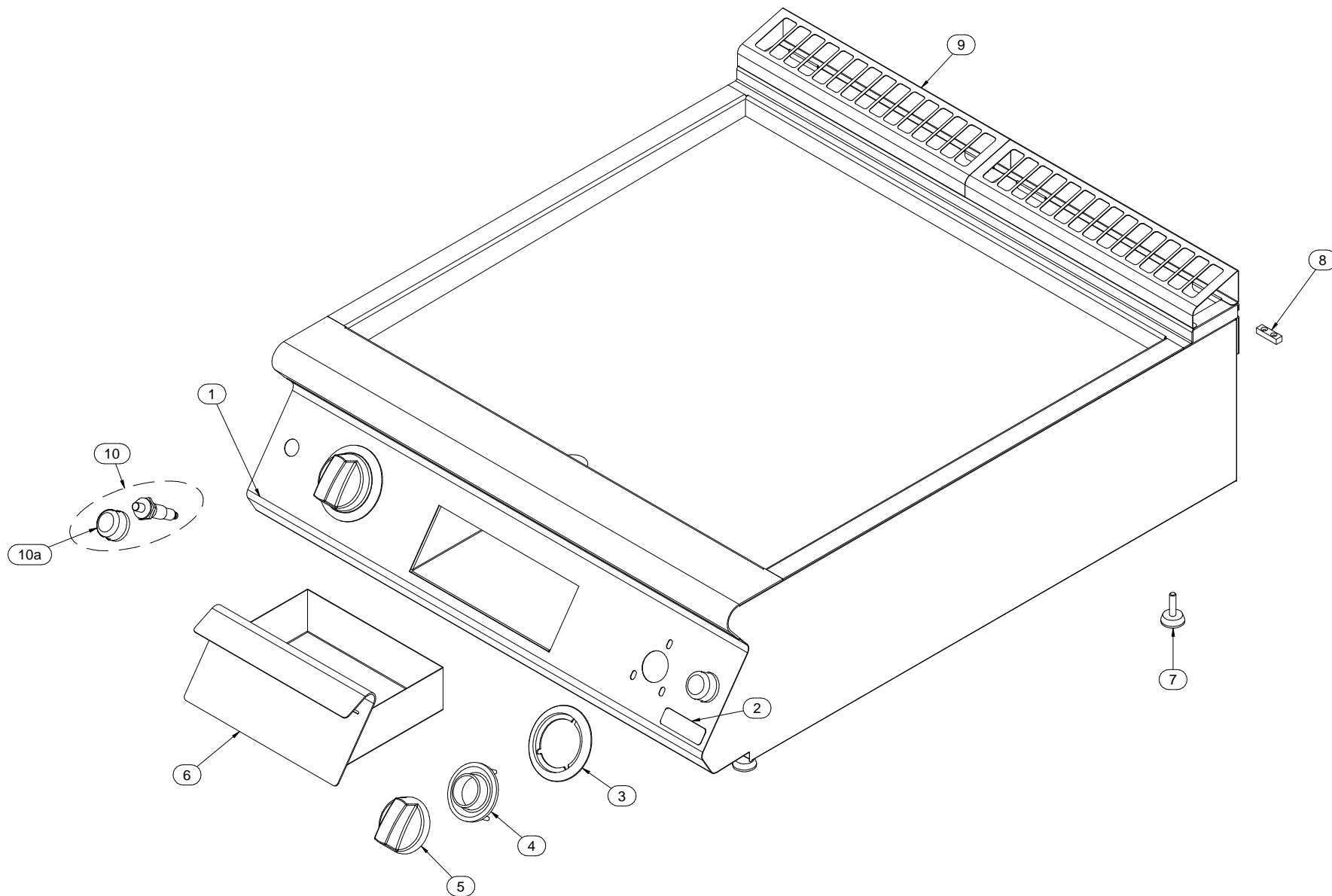


Mod./Type: 70 - 90 .../40 ... - .../80 ... - .../120 ...
90/160 ... VANO / CABINET

cod./num. 2531775.00

data/date: 05/11/2014





Mod./Type: **_70/... - _90/... FT...GS-CR... / ...-TR... SIMPLE**

cod./num. 2531683.00

_90/... FT...G-CR / ...-TR... EXTREME

data/date: 16/06/2014

