



## GF962 Flip Top Aluminium Table Base

### Assembly Instructions

**Important!**

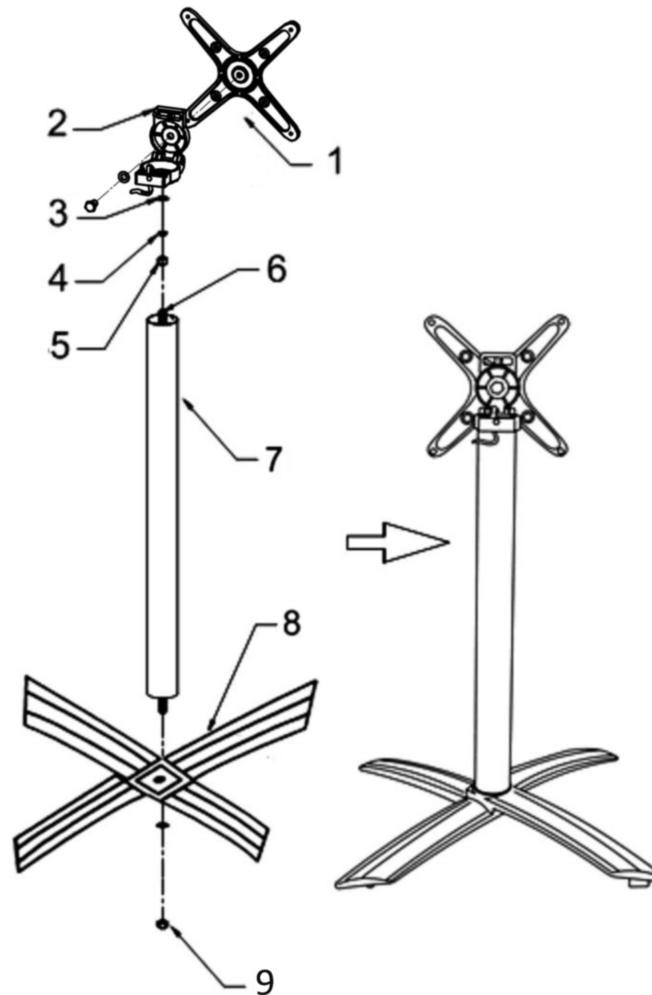
Please note screws required to fix the base to the Bolero predrilled table tops are supplied with the table top carton.



Before assembly, carefully remove all packaging and ensure all parts are present. Please periodically check and tighten assembly.

Once assembled please do not attempt to move or lift the table by pulling the table top as this will cause damage to top!

UK	0845 146 2887	Fourth Way, Avonmouth, Bristol, BS11 8TB United Kingdom
NL	0800 - 29 1 29	
	040 - 2628080	
FR	0800 - 29 2 29	
	01 60 34 28 80	
DE	0800 - 1860806	
IT	N/A	
ES	901-100 133	
PT	901-100 133	
AU	1300 225 960	15 Badgally Road, Campbelltown, 2560, NSW, Australia



### Parts List:

1		1 x Spider
2		1x Folding Mechanism
3		3 x Flat Washers
4		1 x Spring Washer
5		2 x Hexagonal Nut
6		1 x Rod
7		1 x Pole
8		1 x Base
9		1 x Nylock Nut
10		1 x Hexagonal Nut Tightening Tool

**Assembly instructions:**

1. Open the folding mechanism then loosen the screw and nut in the middle and position it on the metal spider then tighten it with spider together.
2. Thread a hexagonal nut onto one threaded end of the rod with a spring washer to follow.
3. Place a flat washer over the hole on the folding mechanism and insert the threaded end of the rod.
4. Turn the threaded rod until it securely grips into the folding mechanism.
5. Tighten the nut back down onto the unit using the spanner supplied.  
Place the aluminium tube over the threaded rod, ensuring that the end of the tube is securely positioned on the folding mechanism.
6. Place the aluminium foot base over the end of the threaded rod.
7. Place a flat washer and nylock nut on the end of the threaded bar and tighten using the socket spanner.