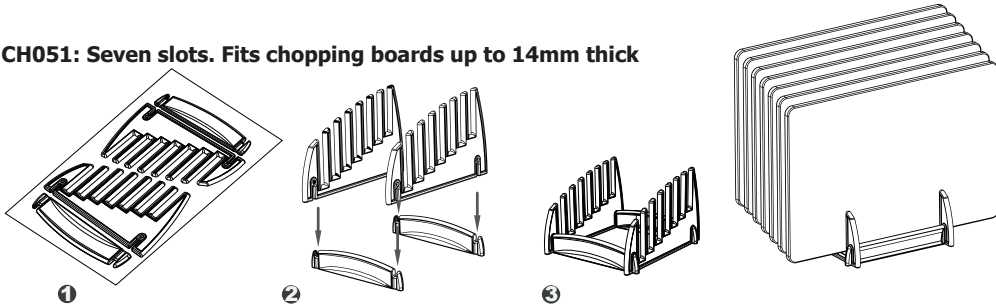


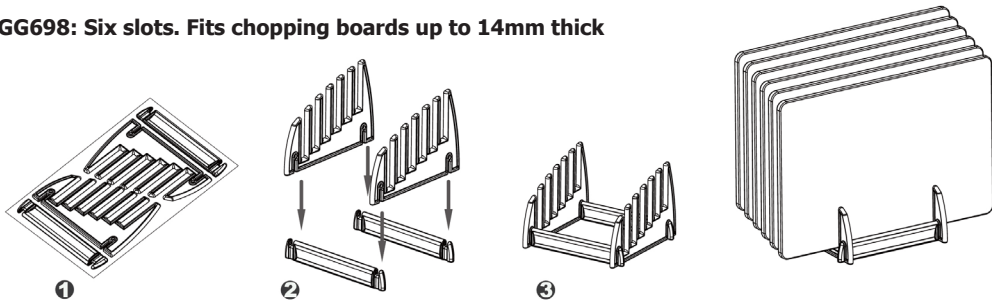
HYGIPLAS

Food Safety Solutions

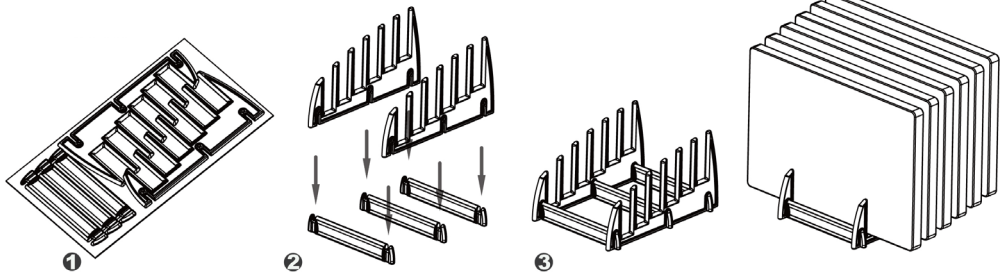
CH051: Seven slots. Fits chopping boards up to 14mm thick



GG698: Six slots. Fits chopping boards up to 14mm thick



GG699: Six slots. Fits chopping boards up to 25mm thick



UK		Fourth Way, Avonmouth, Bristol, BS11 8TB United Kingdom
Eire	+44 (0)845 146 2887	42 North Point Business Park, New Mallow Road, Cork, Ireland
NL	040 - 2628080	
FR	01 60 34 28 80	
BE-NL	0800-29129	

BE-FR	0800-29229	
DE	0800 - 1860806	
ES	901-100 133	
AU	1300 225 960	15 Badgally Road, Campbelltown, 2560, NSW, Australia

CH051_GG698_GG699_ML_A5_v1_20220107