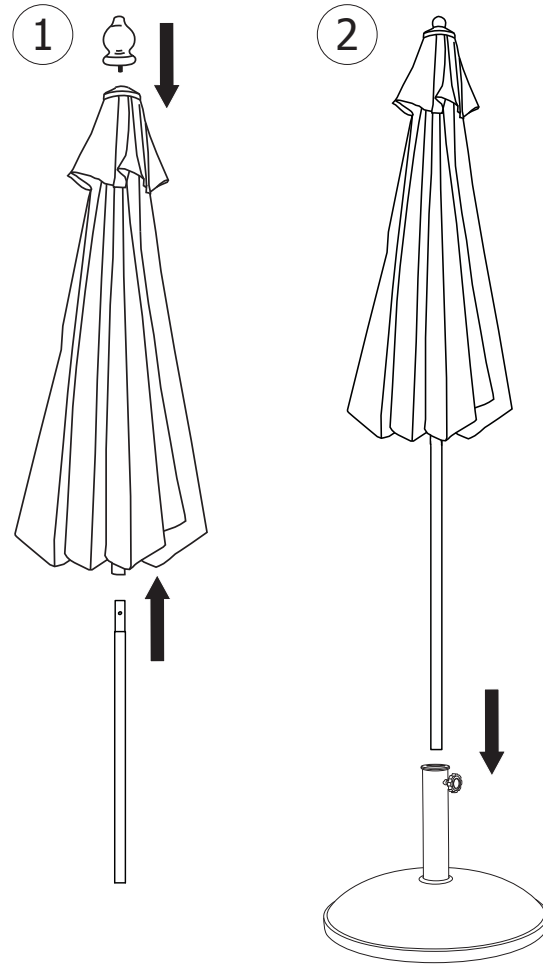
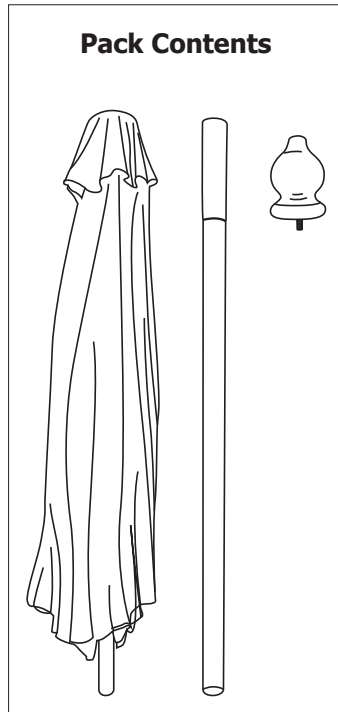


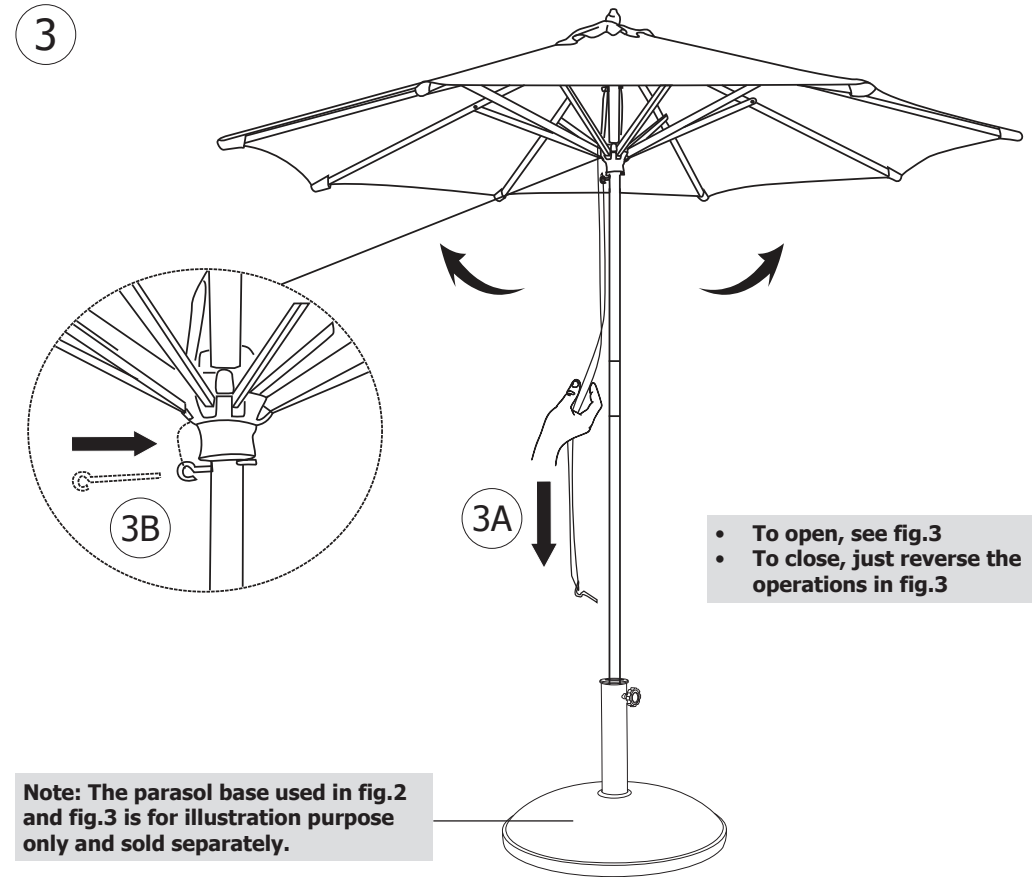
BOLERO

Parasol

Assembly Instructions



Manual size: A4



- To open, see fig.3
- To close, just reverse the operations in fig.3

Note: The parasol base used in fig.2 and fig.3 is for illustration purpose only and sold separately.



UK	+44 (0)845 146 2887	Fourth Way, Avonmouth, Bristol, BS11 8TB United Kingdom
Eire		42 North Point Business Park, New Mallow Road, Cork, Ireland
NL	040 - 2628080	
FR	01 60 34 28 80	
BE-NL	0800-29129	

BE-FR	0800-29229	
DE	0800 - 1860806	
ES	901-100 133	
PT	vendas@nisbets.pt	
AU	1300 225 960	15 Badgally Road, Campbelltown, 2560, NSW, Australia

Safety instructions:

- Assemble on a soft, non-abrasive surface.
- Two adults may be required for safe assembly.
- Do not leave the parasol open during high winds.
- Fully close the parasol during windy conditions.
- When not in use, keep the parasol closed.

Care and maintenance:

- Clean with mild soap and lukewarm water, rinse, and air dry.
- When not in use, close and cover parasol with a protective cover (not included).
- Allow a wet canopy to dry while in open position.
- Store indoors in a cool, dry place.