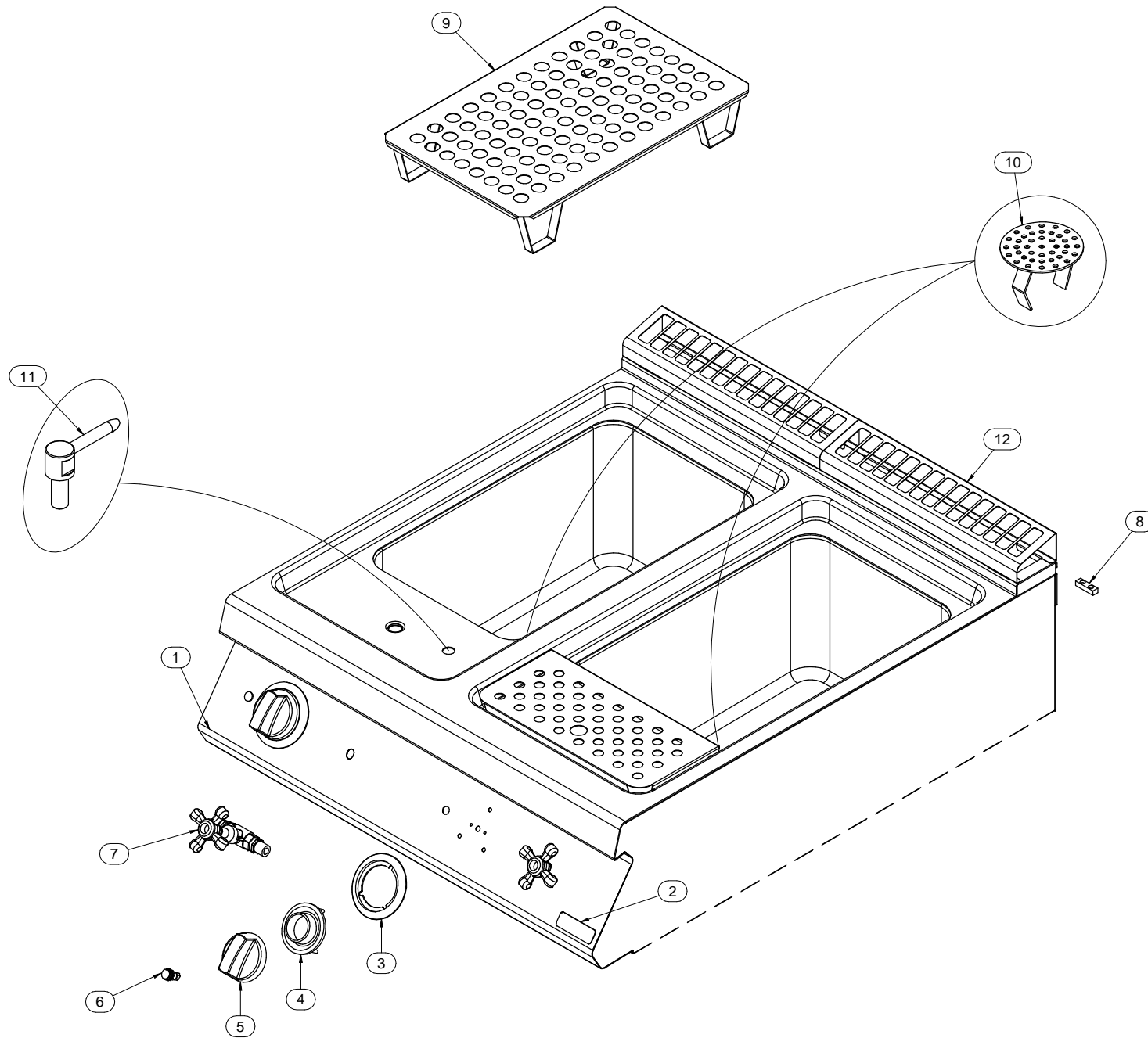


Mod./Type: **\_70/... CPES**

**\_90/... CPES**

cod./num. 2532163.00

data/date: 06/02/2015





Mod./Type: **\_70/... CPES - \_90/... CPES**

cod./num. 2531849.00

**SIMPLE**

data/date: 09/09/2014

