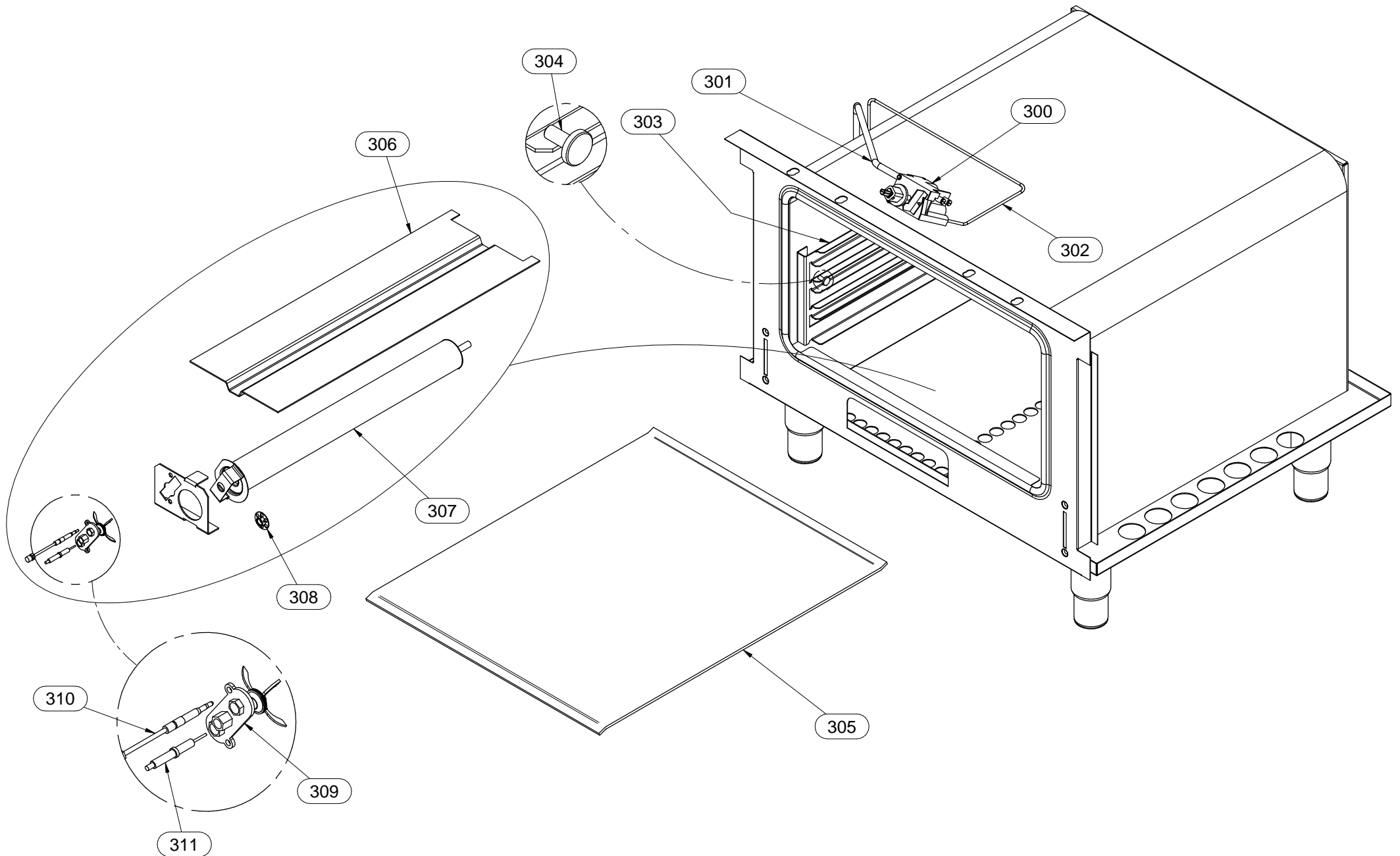


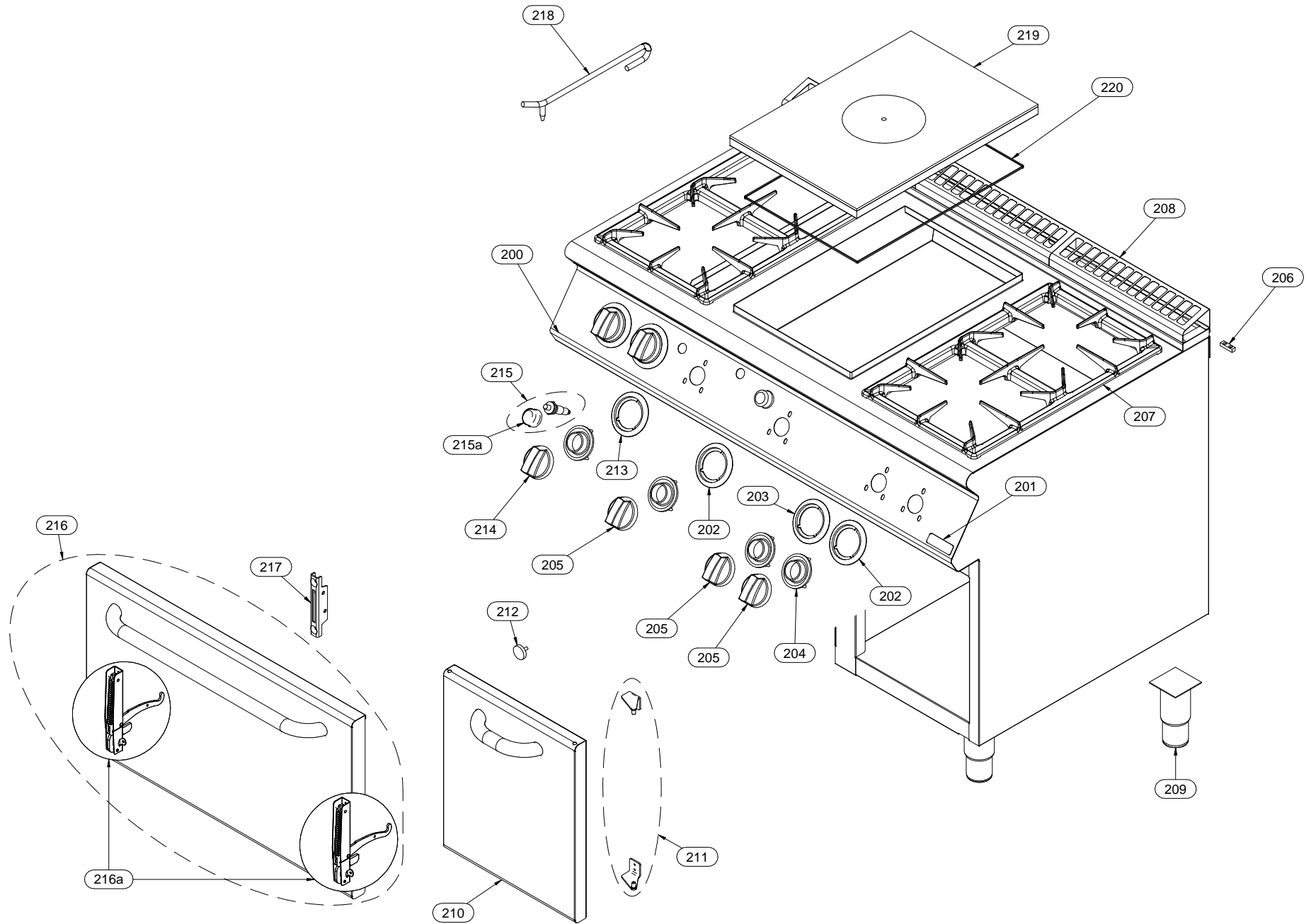
Mod./Type: **_70/... ..FG... - _90/... ..FG...**

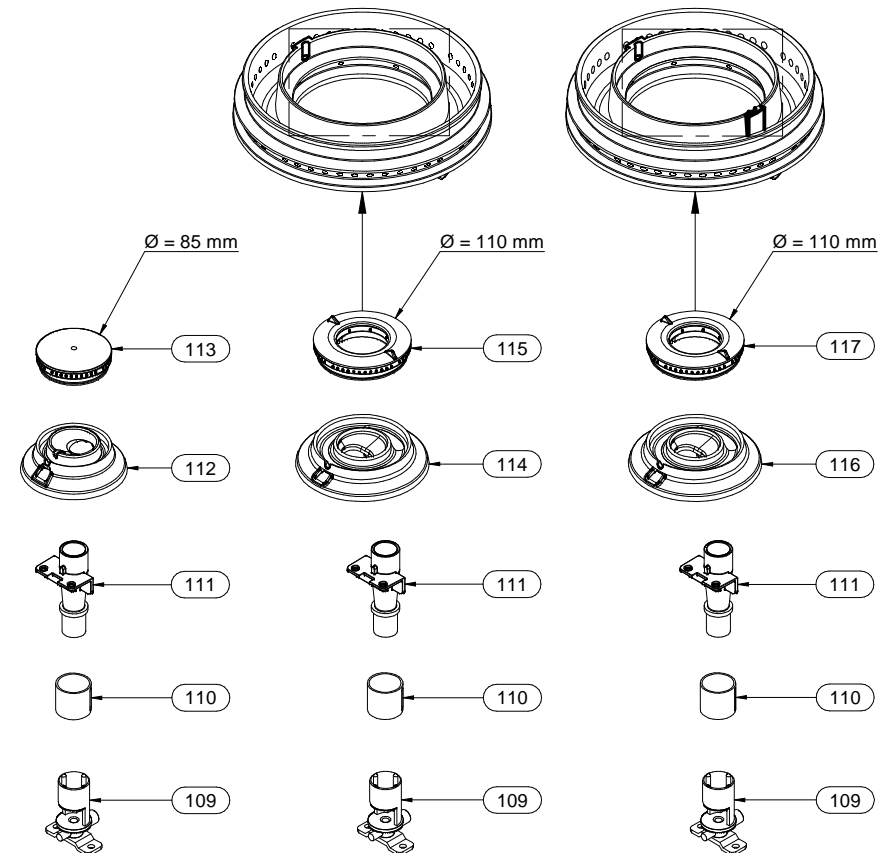
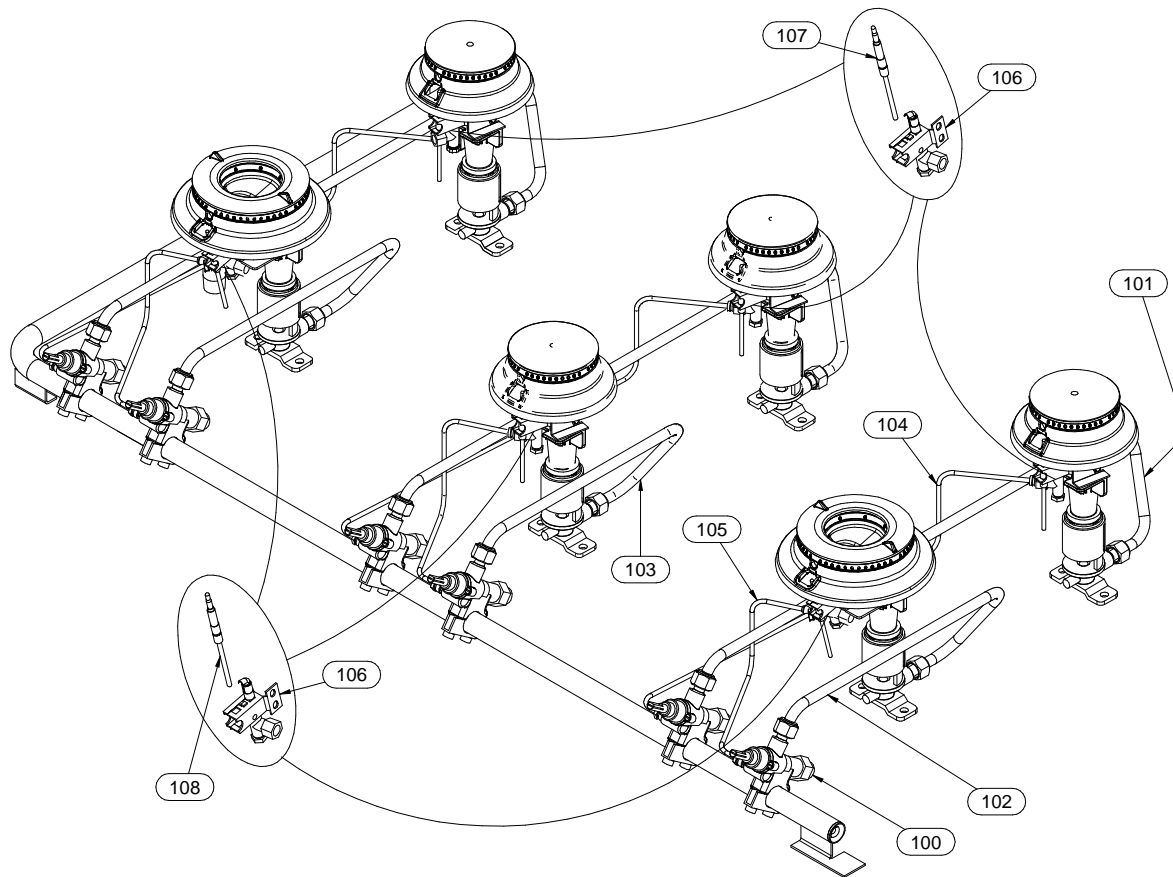
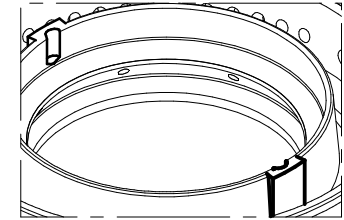
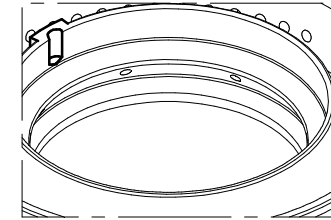
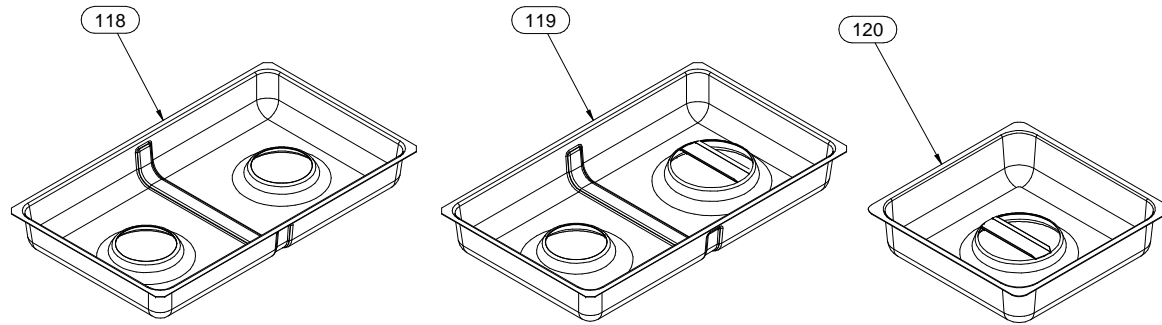
cod./num. 2531592.00

GAS OVEN

data/date: 01/11/2013







Mod./Type: **_70/40 TPG... - _70/... TP...G... EXTREME**
_90/40 TPG... - _90/... TP...G... EXTREME

cod./num. 2531667.00

data/date: 13/06/2014

