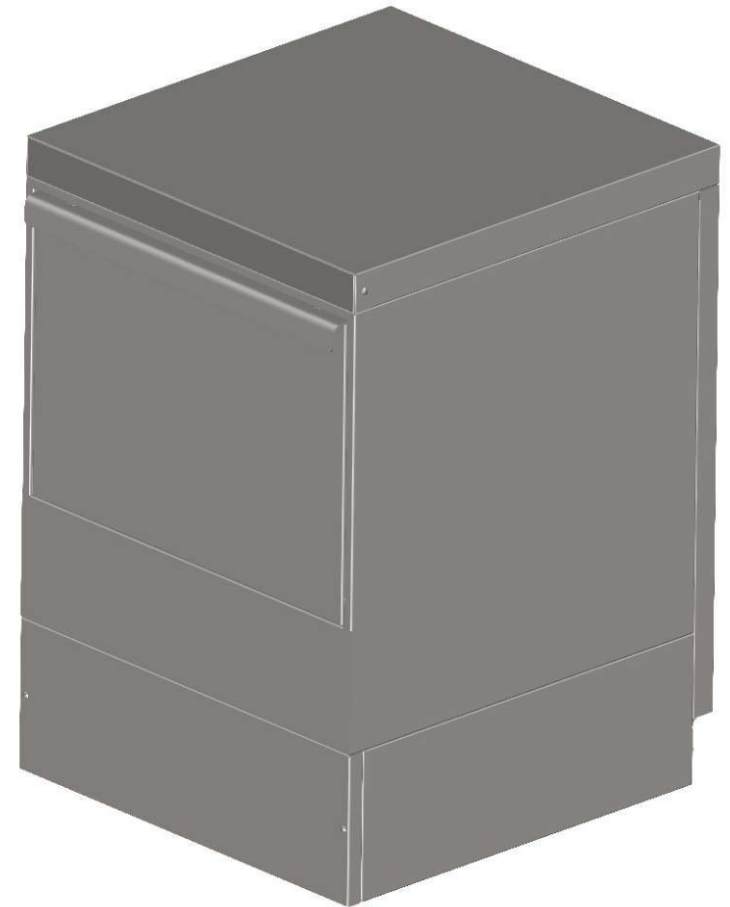


# MODEL 50

SINGLE PHASE (50Hz - 230V)  
THREE PHASE (50Hz - 400V)



- VERSION 1 (V1) : HYDRAULIC RINSE AID PUMP (MANUAL DETERGENT LOADING)
- VERSION 2 (V2) : DETERGENT PUMP - HYDRAULIC RINSE AID PUMP (DT)
- VERSION 3 (V3) : DETERGENT PUMP - DRAINAGE PUMP (DT-DP)
- VERSION 4 (V4) : DETERGENT PUMP - RINSE AID PUMP (DT-RP)
- VERSION 5 (V5) : DETERGENT PUMP - RINSE AID PUMP - DRAINAGE PUMP (DT-RP-DP)

**\*OPTIONAL:** THIS PART IS AN EXTRA ACCESSORY AND IS NOT INCLUDED ON STANDARD VERSIONS

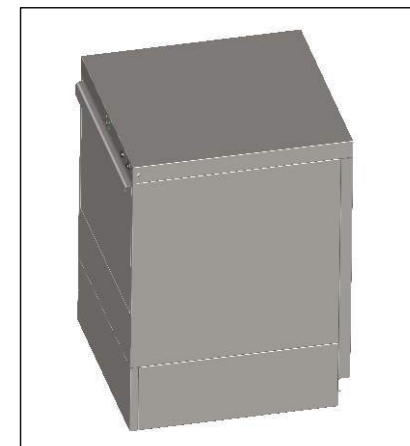
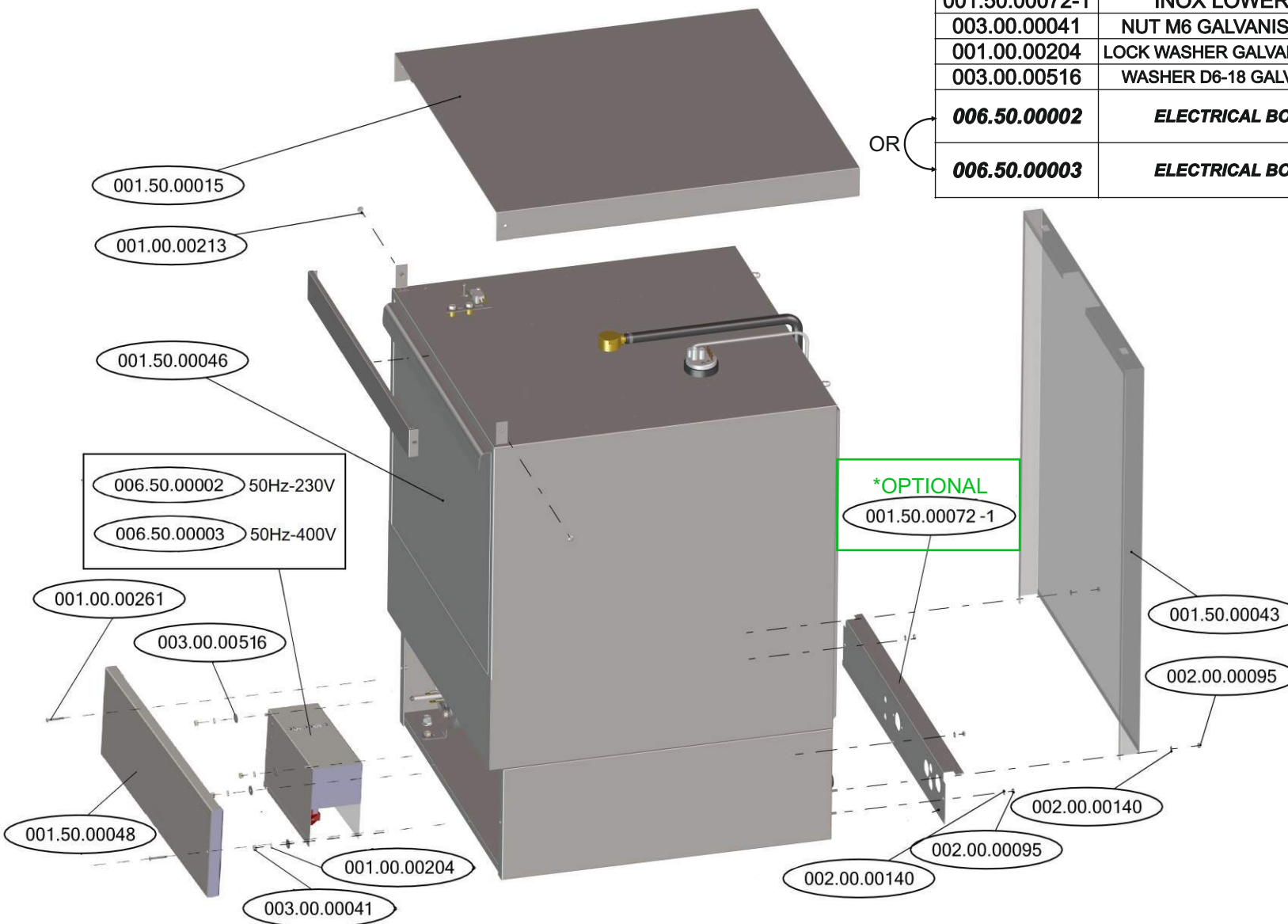
**MODEL 50**

R1

DESCRIPTION : STEEL STRUCTURE AND COVERS

ITEM CODE : -

| PART ID             | DESCRIPTION  | QTY      |
|---------------------|--|----------|
| 001.50.00015        | COVER UPPER INOX MOD50/V1/STANDARD                 | 1        |
| 001.00.00213        | INOX SCREW M4X15                                   | 2        |
| 001.50.00046        | DOOR COMPLETE V-K                                  | 1        |
| 001.50.00048        | FRONT COVER INOX MOD50 STANDARD                    | 1        |
| 001.00.00261        | INOX SCREW M4X30                                   | 2        |
| 002.00.00095        | INOX NUT M4  | 5        |
| 002.00.00140        | LOCK WASHER INOX D4                                | 9        |
| 001.50.00072-1      | INOX LOWER BACK COVER (*OPTIONAL)                  | 1        |
| 003.00.00041        | NUT M6 GALVANISED - ELECTRICAL BOX SUPPORT         | 4        |
| 001.00.00204        | LOCK WASHER GALVANISED D6 - ELECTRICAL BOX SUPPORT | 4        |
| 003.00.00516        | WASHER D6-18 GALVANISED - ELECTRICAL BOX SUPPORT   | 4        |
| <b>006.50.00002</b> | <b>ELECTRICAL BOX COMPLETE V50-230V (1 PHASE)</b>  | <b>1</b> |
| <b>006.50.00003</b> | <b>ELECTRICAL BOX COMPLETE V50-400V (3 PHASE)</b>  | <b>1</b> |



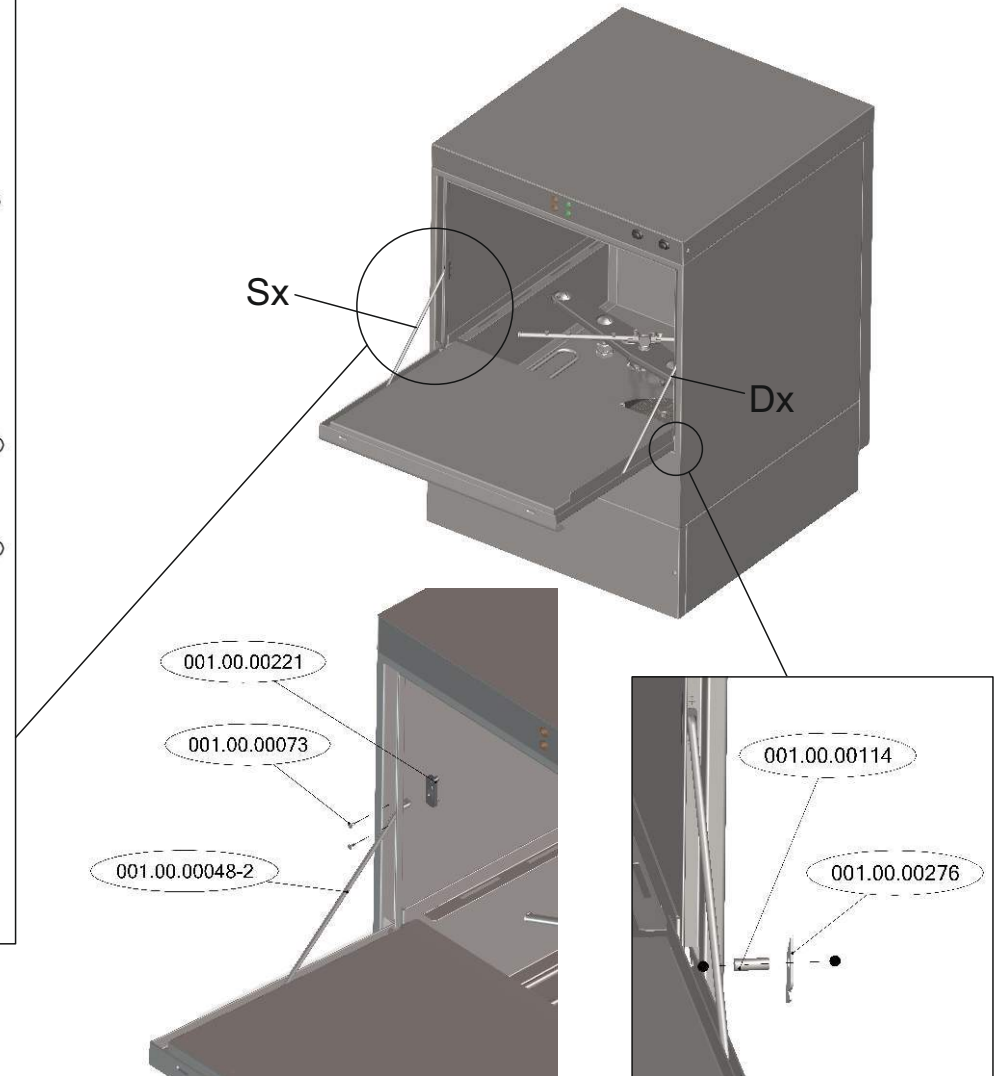
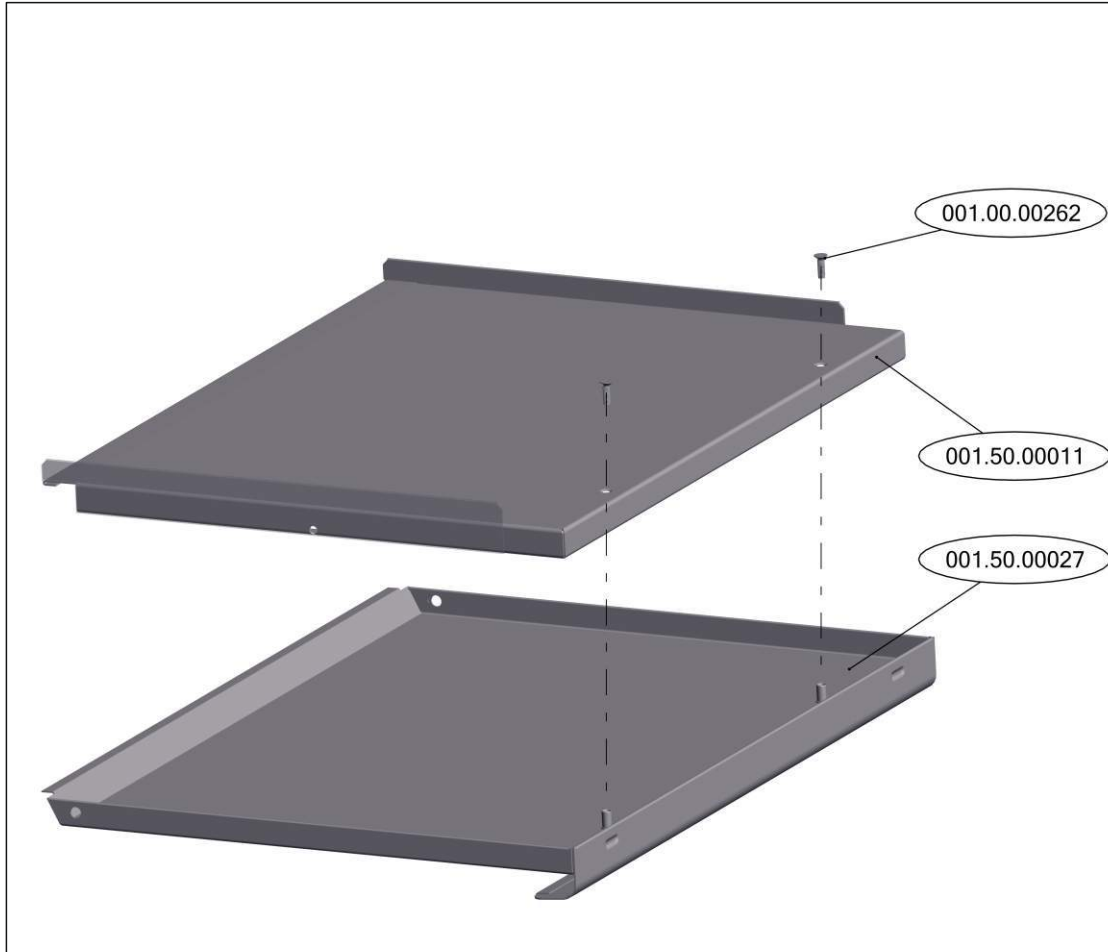
**MODEL 50**

R1

DESCRIPTION : DOOR ASSEMBLY

ITEM CODE : 001.50.00046

| PART ID        | DESCRIPTION                   | QTY |
|----------------|-------------------------------|-----|
| 001.00.00262   | INOX TAPPED SCREW M5x16       | 1   |
| 001.50.00011   | BACK PART OF THE DOOR MOD 50  | 1   |
| 001.50.00027   | FROND PART OF THE DOOR MOD50  | 1   |
| 001.50.00046   | DOOR COMPLETE V-K             | 1   |
| 001.00.00114   | DOOR SUPPORT 8X23             | 1   |
| 001.00.00276   | DOOR SPACER NEW               | 2   |
| 001.00.00221   | PLASTIC GUIDE FOR DOOR AXLE   | 3   |
| 001.00.00073   | INOX SCREW 2.9x10             | 4   |
| 001.00.00048-1 | DOOR SUPPORT AXLE DX (M6x300) | 1   |
| 001.00.00048-2 | DOOR SUPPORT AXLE SX (M6x300) | 1   |



**MODEL 50**

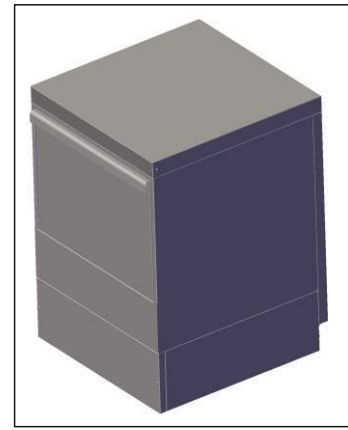
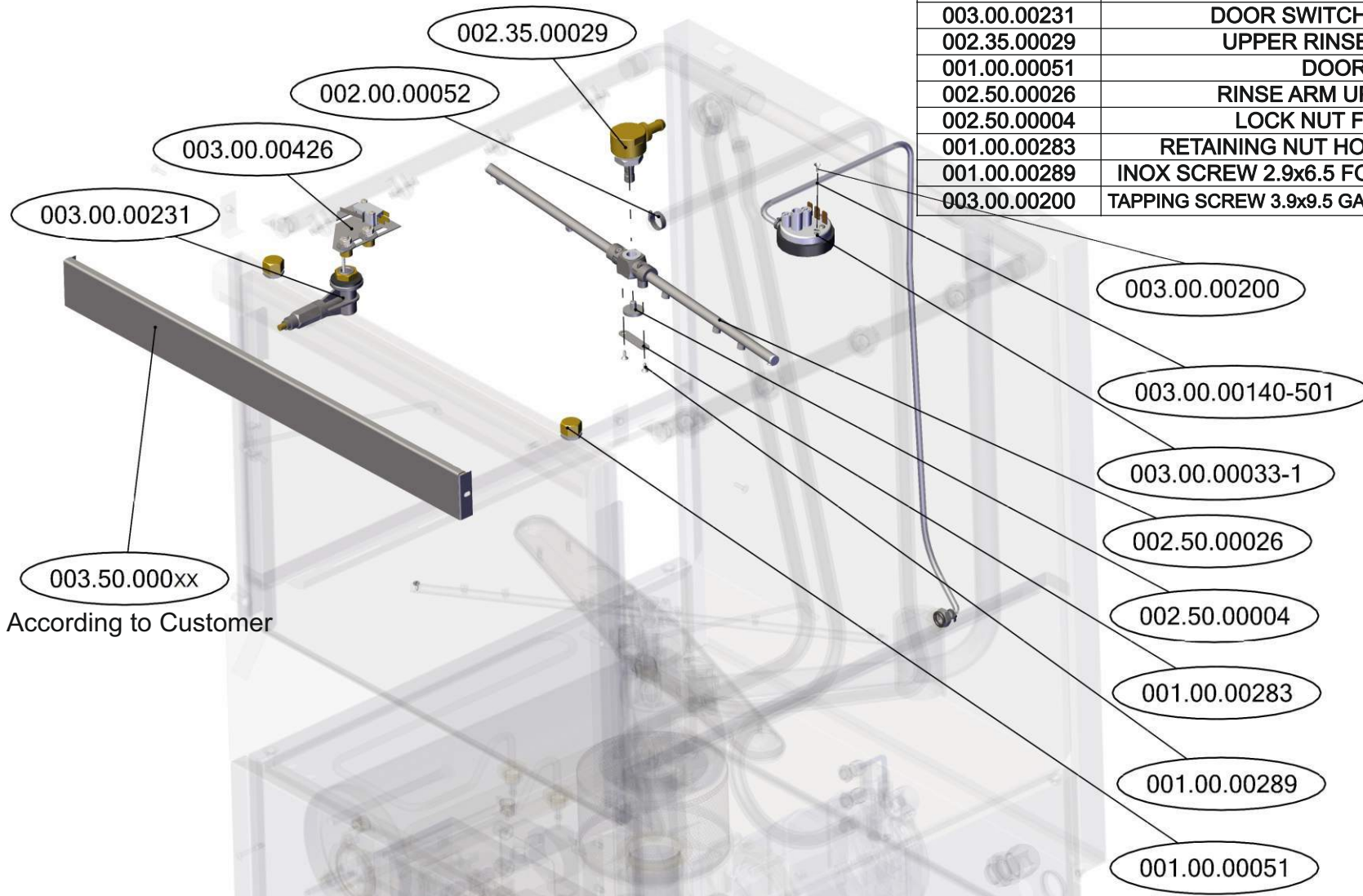
R1

DESCRIPTION : ELECTROMECHANICAL EQUIPMENT-TOP

ITEM CODE : -

OR

| PART ID             | DESCRIPTION  | QTY      |
|---------------------|--|----------|
| <b>003.50.00011</b> | <b>MAIN WIRING SET MOD50 (50Hz-400V)<br/>(NOT VISIBLE)</b> | <b>1</b> |
| <b>003.00.00126</b> | <b>MAIN WIRING SET MOD50 (50Hz-230V)<br/>(NOT VISIBLE)</b> | <b>1</b> |
| 003.50.000xx        | DISP.PANEL COMPLETE (RO-SQ-OVAL SWITCHES)                  | 1        |
| 003.00.00426        | DOOR SWITCH EL.PART COMPLETE                               | 1        |
| 003.00.00140-501    | TUBO PVC WHITE 4x6   | 1        |
| 003.00.00033-1      | PRESSOSTAT SWITCH  | 1        |
| 002.00.00052        | CLAMP 10-16  | 1        |
| 003.00.00231        | DOOR SWITCH MECHANICAL PART                                | 1        |
| 002.35.00029        | UPPER RINSE BASE COMPLETE                                  | 1        |
| 001.00.00051        | DOOR SNAP SET  | 2        |
| 002.50.00026        | RINSE ARM UP UP/DOWN MOD50                                 | 1        |
| 002.50.00004        | LOCK NUT FOR RINSING ARM                                   | 1        |
| 001.00.00283        | RETAINING NUT HOLDER INOX (*OPTIONAL)                      | 1        |
| 001.00.00289        | INOX SCREW 2.9x6.5 FOR 001.00.00283 (*OPTIONAL)            | 2        |
| 003.00.00200        | TAPPING SCREW 3.9x9.5 GALV.(FOR PRESSOSTAT SUPPORT)        | 1        |



003.50.000xx  
According to Customer



**MODEL 50**

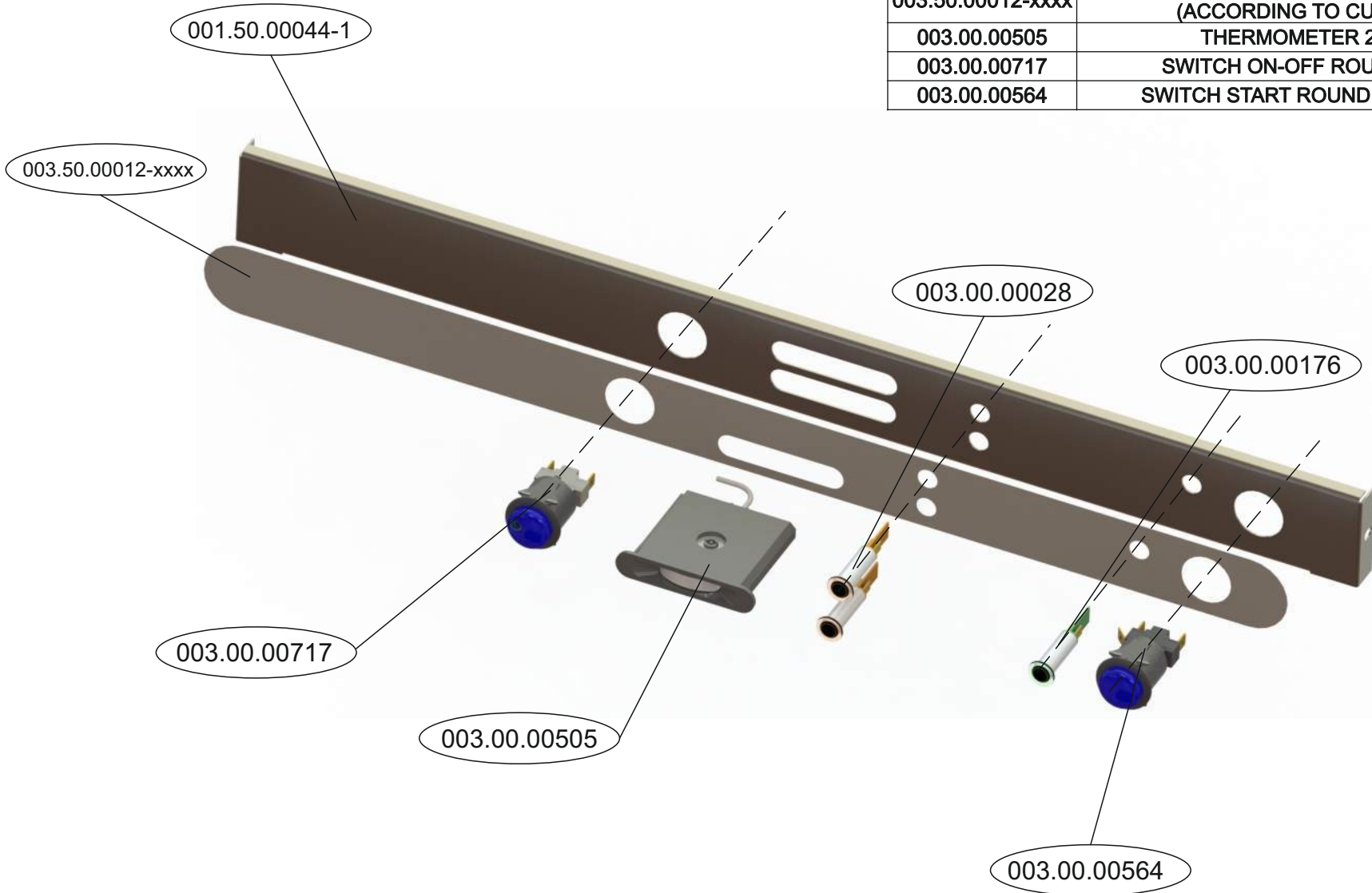
R1

DESCRIPTION : DISPLAY PANEL COMPLETE ROUND SW.

ITEM CODE : 003.50.00002 NO DRAINAGE PUMP

**CONTROL PANEL: C1**

| PART ID           | DESCRIPTION  | QTY |
|-------------------|--|-----|
| 001.50.00044-1    | PANEL SWITCH INOX ROUND SW.                              | 1   |
| 003.00.00028      | INDICATOR ORANGE   | 2   |
| 003.00.00176      | INDICATOR GREEN  | 1   |
| 003.50.00012-xxxx | MEMBRANE FOR MODEL 50 NEUTRAL<br>(ACCORDING TO CUSTOMER) | 1   |
| 003.00.00505      | THERMOMETER 2500mm                                       | 1   |
| 003.00.00717      | SWITCH ON-OFF ROUND 2CONT.                               | 1   |
| 003.00.00564      | SWITCH START ROUND 2 CONTACTS                            | 1   |



**MODEL 50**

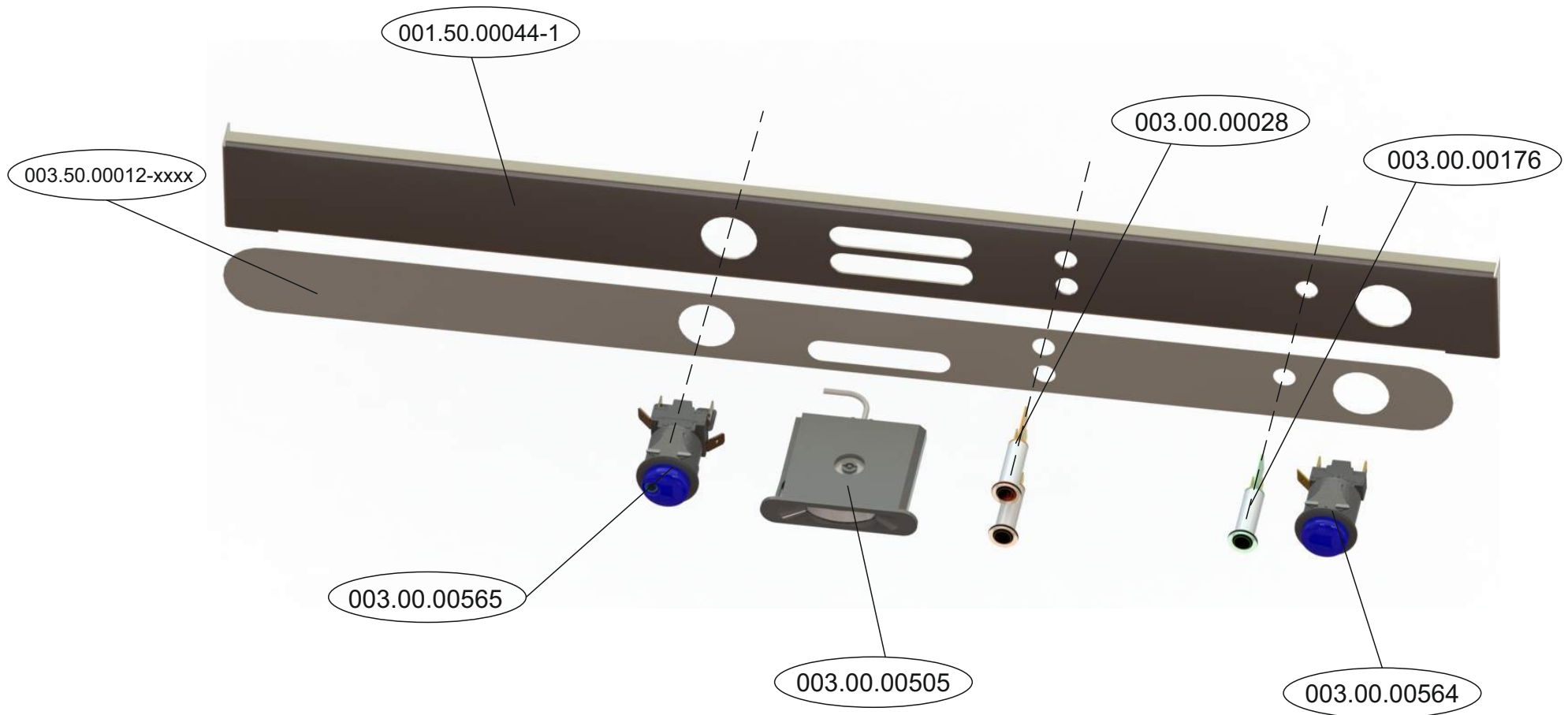
R1

DESCRIPTION : DISPLAY PANEL COMPLETE ROUND SW.

ITEM CODE : 003.50.00021 WITH DRAINAGE PUMP

**CONTROL PANEL: C2**

| PART ID           | DESCRIPTION  | QTY |
|-------------------|--|-----|
| 001.50.00044-1    | PANEL SWITCH INOX ROUND SW.                              | 1   |
| 003.00.00028      | INDICATOR ORANGE   | 2   |
| 003.00.00176      | INDICATOR GREEN  | 1   |
| 003.50.00012-xxxx | MEMBRANE FOR MODEL 50 NEUTRAL<br>(ACCORDING TO CUSTOMER) | 1   |
| 003.00.00505      | THERMOMETER 2500mm                                       | 1   |
| 003.00.00565      | SWITCH ON-ON ROUND 6CONT                                 | 1   |
| 003.00.00564      | SWITCH START ROUND 2 CONTACTS                            | 1   |



**MODEL 50**

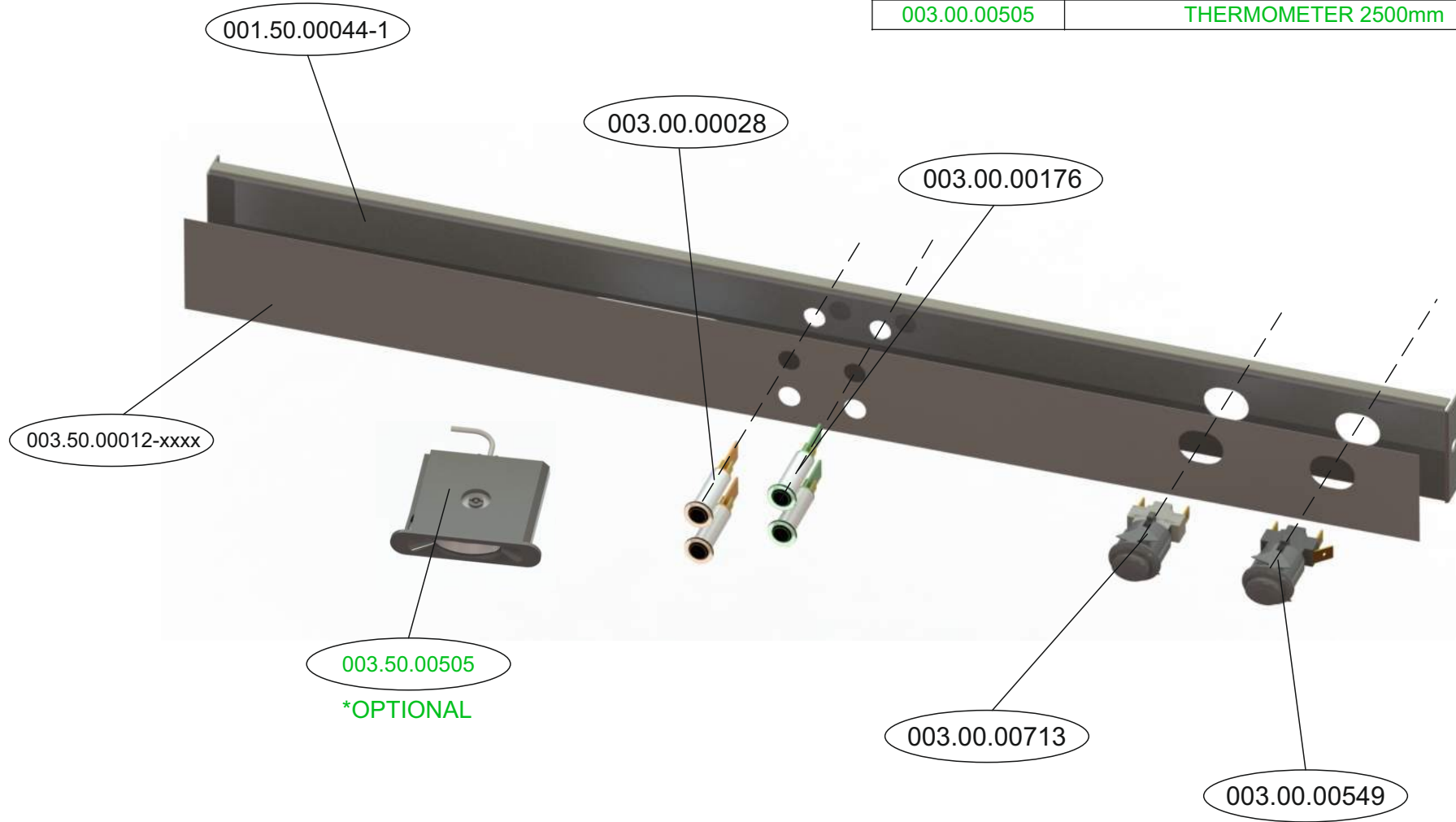
R1

DESCRIPTION : DISPLAY PANEL COMPLETE OVAL SW.

ITEM CODE : 003.50.00020 NO DRAINAGE PUMP

**CONTROL PANEL: C3**

| PART ID           | DESCRIPTION  | QTY |
|-------------------|--|-----|
| 001.50.00044-2    | PANEL SWITCH INOX OVAL SW.                               | 1   |
| 003.00.00028      | INDICATOR ORANGE   | 2   |
| 003.00.00176      | INDICATOR GREEN  | 2   |
| 003.50.00012-xxxx | MEMBRANE FOR MODEL 50 NEUTRAL<br>(ACCORDING TO CUSTOMER) | 1   |
| 003.00.00713      | SWITCH ON-OFF OVAL 2CONT                                 | 1   |
| 003.00.00549      | SWITCH START OVAL 2CONT.                                 | 1   |
| 003.00.00505      | THERMOMETER 2500mm                                       | 1   |



**MODEL 50**

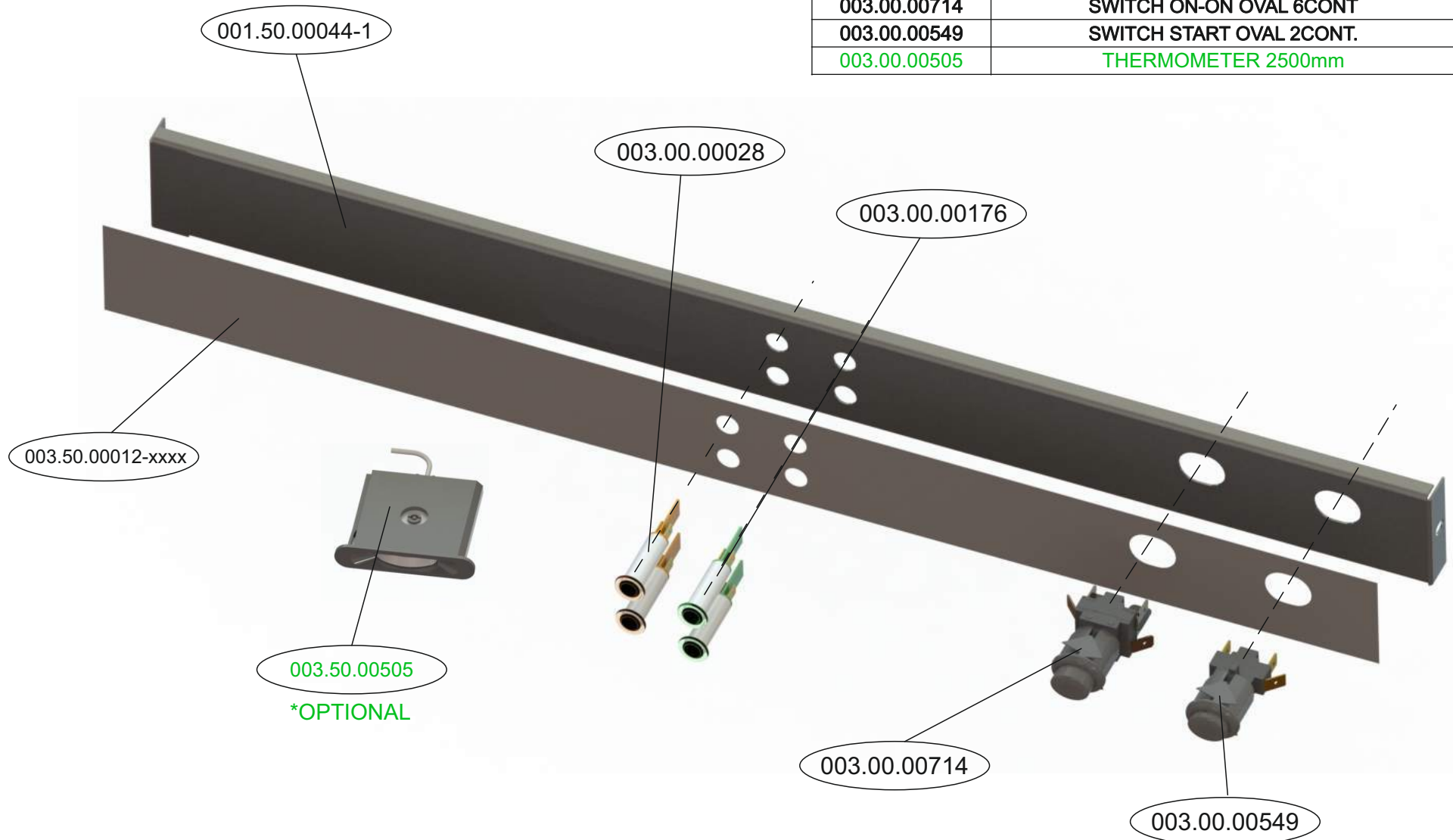
R1

DESCRIPTION : DISPLAY PANEL COMPLETE OVAL SW.

ITEM CODE : 003.50.00020 WITH DRAINAGE PUMP

**CONTROL PANEL: C4**

| PART ID           | DESCRIPTION  | QTY |
|-------------------|--|-----|
| 001.50.00044-2    | PANEL SWITCH INOX OVAL SW.                               | 1   |
| 003.00.00028      | INDICATOR ORANGE   | 2   |
| 003.00.00176      | INDICATOR GREEN  | 2   |
| 003.50.00012-xxxx | MEMBRANE FOR MODEL 50 NEUTRAL<br>(ACCORDING TO CUSTOMER) | 1   |
| 003.00.00714      | SWITCH ON-ON OVAL 6CONT                                  | 1   |
| 003.00.00549      | SWITCH START OVAL 2CONT.                                 | 1   |
| 003.00.00505      | THERMOMETER 2500mm                                       | 1   |



**MODEL 50**

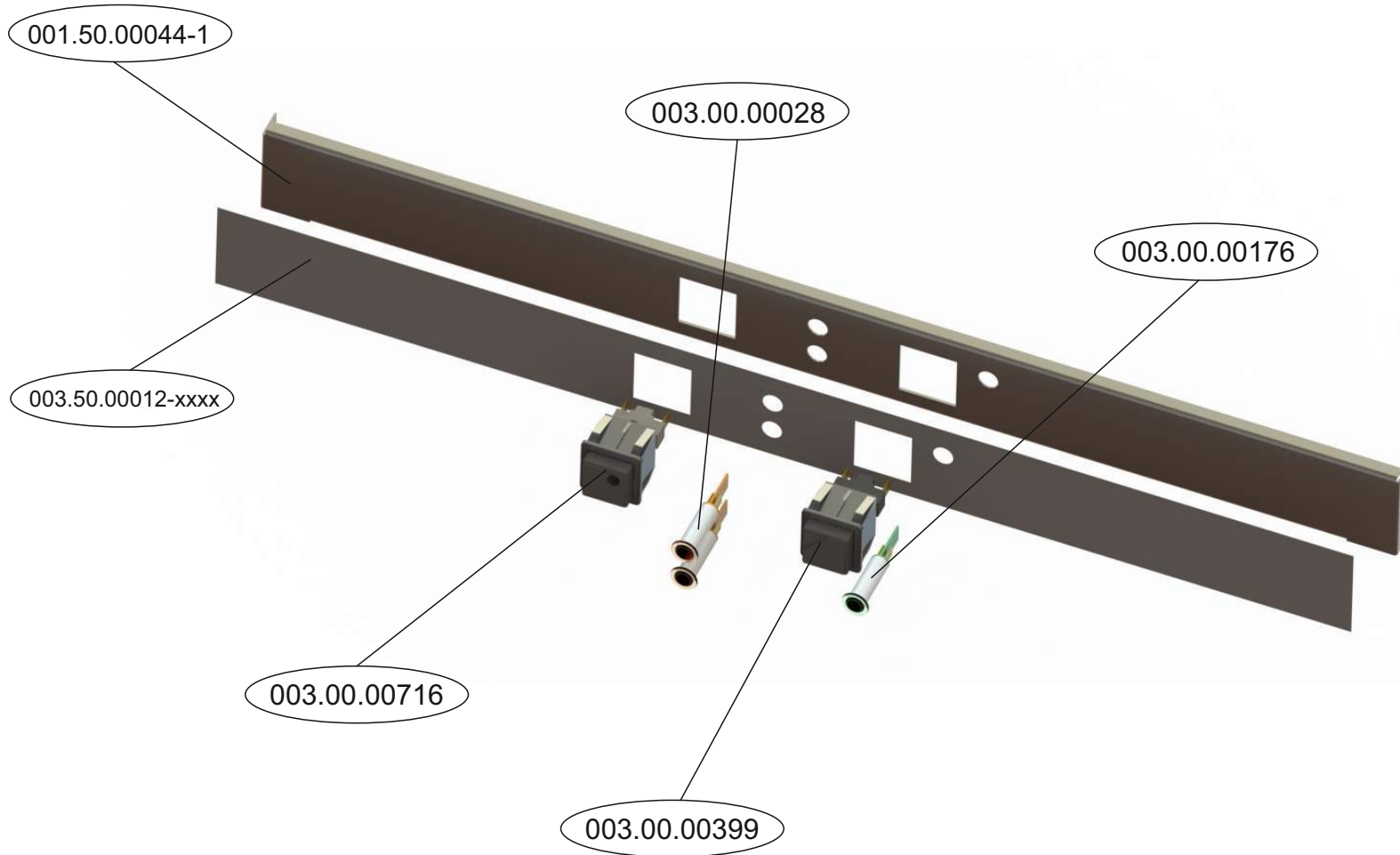
R1

DESCRIPTION : DISPLAY PANEL COMPLETE SQUARE SW.

ITEM CODE : 003.50.00020 NO DRAINAGE PUMP

**CONTROL PANEL: C5**

| PART ID           | DESCRIPTION  | QTY |
|-------------------|--|-----|
| 001.50.00044-2    | PANEL SWITCH INOX OVAL SW.                               | 1   |
| 003.00.00028      | INDICATOR ORANGE   | 2   |
| 003.00.00176      | INDICATOR GREEN  | 1   |
| 003.50.00012-xxxx | MEMBRANE FOR MODEL 50 NEUTRAL<br>(ACCORDING TO CUSTOMER) | 1   |
| 003.00.00716      | SWITCH ON-OFF SQUARE 2CONT                               | 1   |
| 003.00.00399      | SWITCH START SQUARE 2CONT.                               | 1   |





**MODEL 50**

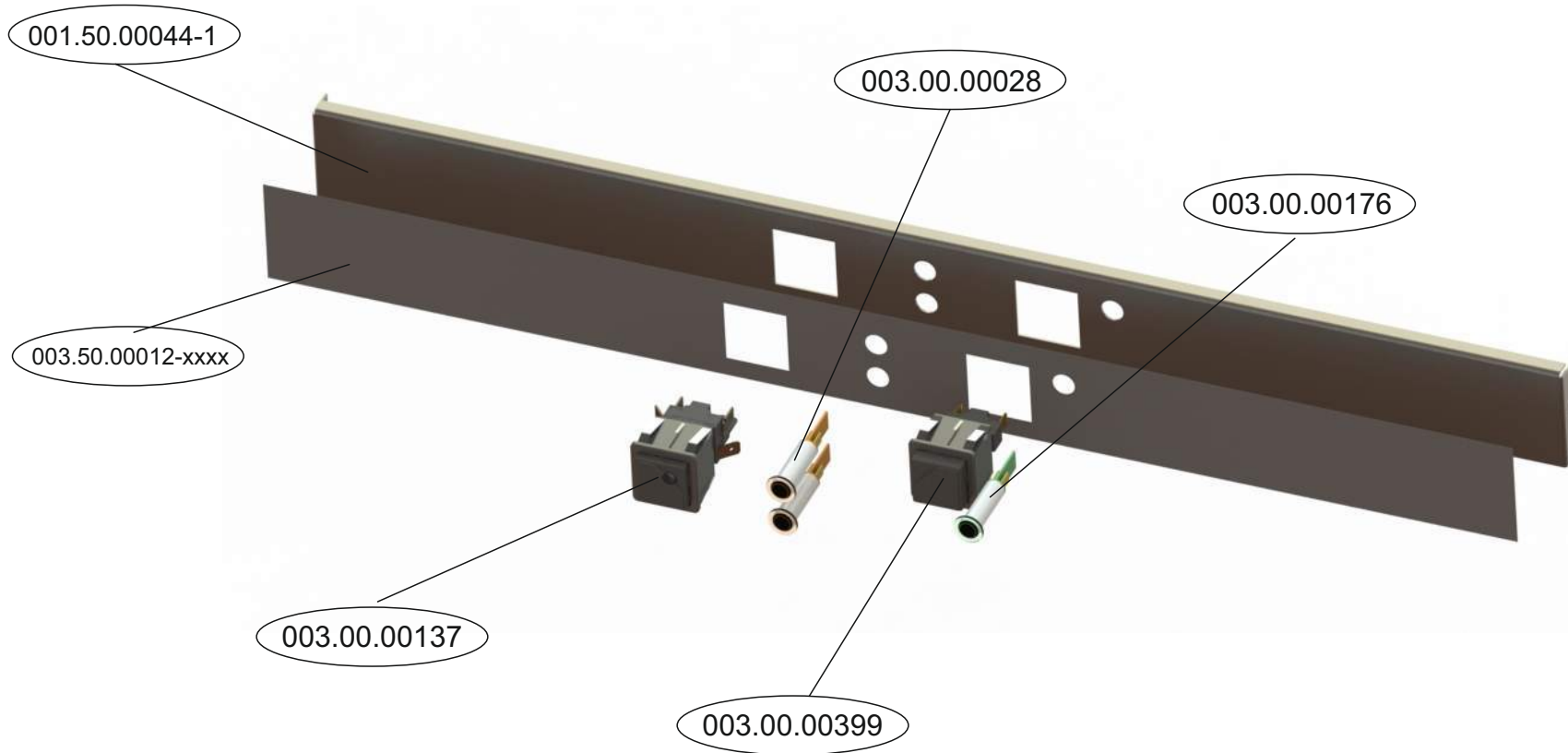
R1

DESCRIPTION : DISPLAY PANEL COMPLETE SQUARE SQ.

ITEM CODE : 003.50.00020 WITH DRAINAGE PUMP

**CONTROL PANEL: C6**

| PART ID           | DESCRIPTION  | QTY |
|-------------------|--|-----|
| 001.50.00044-2    | PANEL SWITCH INOX OVAL SW.                               | 1   |
| 003.00.00028      | INDICATOR ORANGE   | 2   |
| 003.00.00176      | INDICATOR GREEN  | 1   |
| 003.50.00012-xxxx | MEMBRANE FOR MODEL 50 NEUTRAL<br>(ACCORDING TO CUSTOMER) | 1   |
| 003.00.00137      | SWITCH ON-ON SQUARE 6CONT                                | 1   |
| 003.00.00399      | SWITCH START SQUARE 2CONT.                               | 1   |



**MODEL 50**

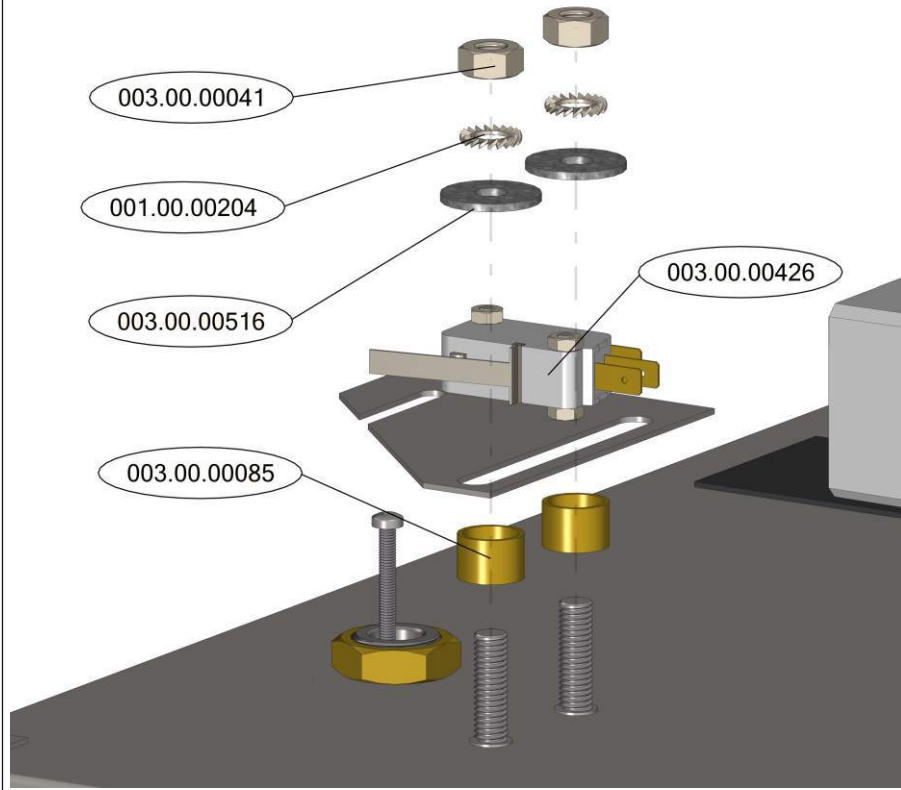
R1

DESCRIPTION : DOOR SWITCH ELECTRICAL PART COMP.

ITEM CODE : 003.00.00426

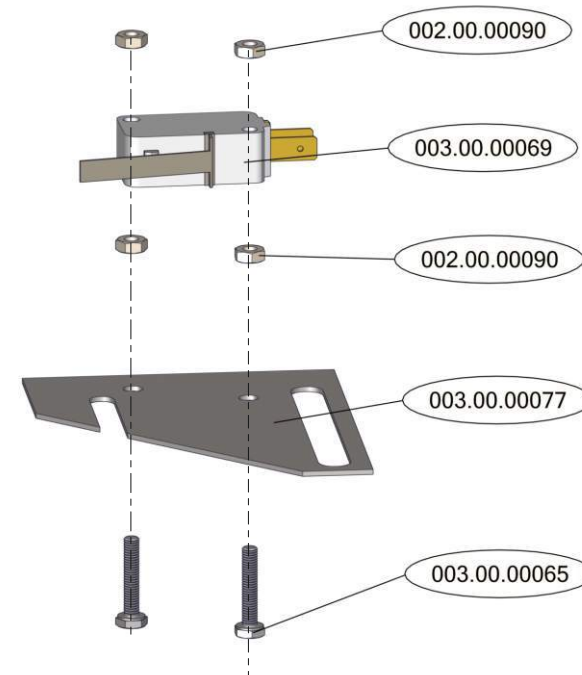
| PART ID      | DESCRIPTION                 | QTY |
|--------------|-----------------------------|-----|
| 003.00.00426 | DOOR SWITCH ELECTRICAL PART | 1   |
| 003.00.00085 | SPACER FOR DOOR SWITCH      | 2   |
| 003.00.00516 | WASHER D6x18 GALVANISED     | 2   |
| 001.00.00204 | LOCK WASHER D6              | 2   |
| 003.00.00041 | NUT M6 GALVANISED           | 2   |

## DOOR SWITCH ELECTRICAL PART - SUPPORT



| PART ID      | DESCRIPTION                        | QTY |
|--------------|------------------------------------|-----|
| 003.00.00069 | DOOR MICROSWITCH 16A               | 1   |
| 002.00.00090 | NUT M3 GALVANISED                  | 4   |
| 003.00.00077 | STEEL ELECTRICAL DOOR SWITCH PLATE | 1   |
| 003.00.00065 | HEX BOLT M3x16 GALVANISED          | 2   |

## DOOR SWITCH ELECTRICAL PART - ASSEMBLY



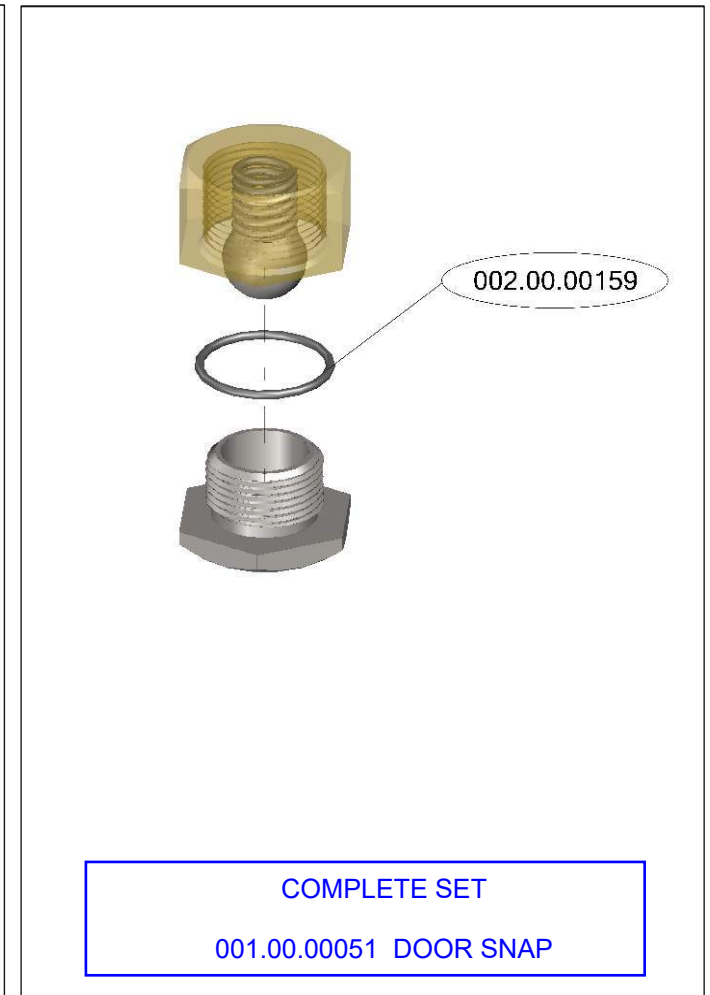
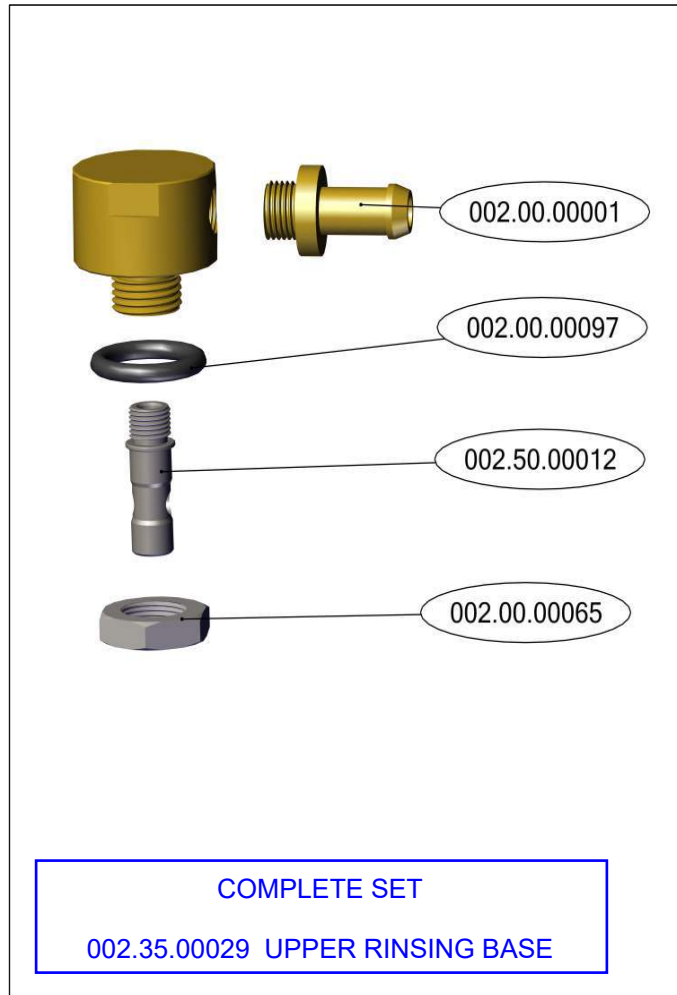
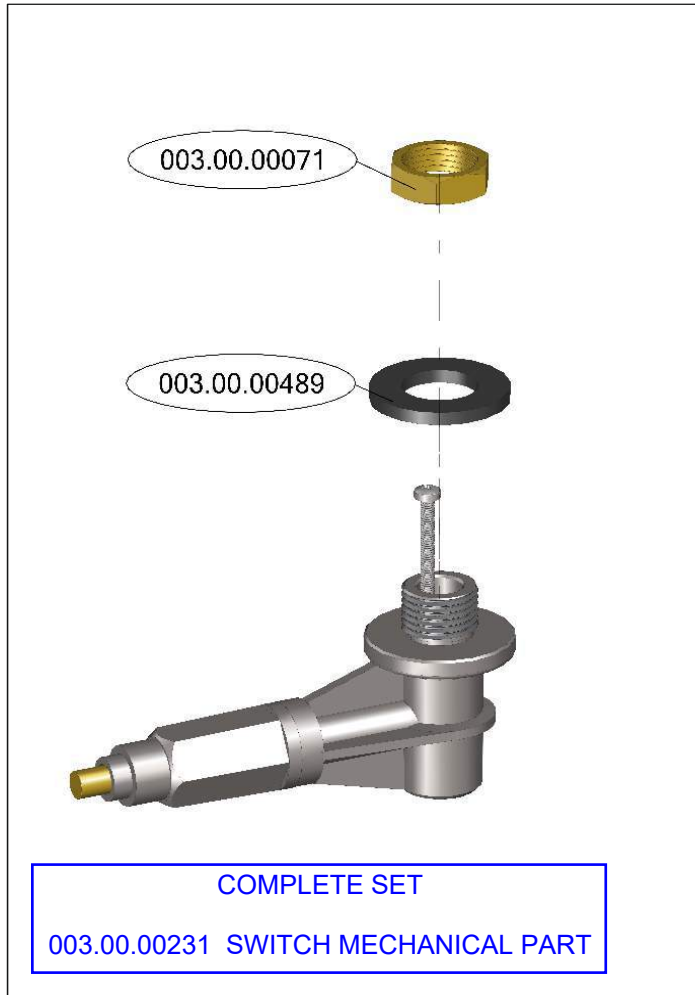
**MODEL 50**

R1

DESCRIPTION : MECHANICAL EQUIPMENT - TOP

ITEM CODE : 001.00.00051, 003.00.00231, 002.35.00029

| PART ID      | DESCRIPTION           | QTY |
|--------------|-----------------------|-----|
| 002.00.00159 | ORING 10x1.5          | 1   |
| 003.00.00071 | NUT FOR DOOR SWITCH   | 1   |
| 003.00.00489 | RUBBER GASKET 16x30x3 | 1   |
| 002.00.00001 | FITTINGS 1/4x10       | 1   |
| 002.00.00097 | O-RING 20x4           | 1   |
| 002.50.00012 | INOX AXLE RINSE BASE  | 1   |
| 002.00.00065 | NUT 3/8               | 1   |



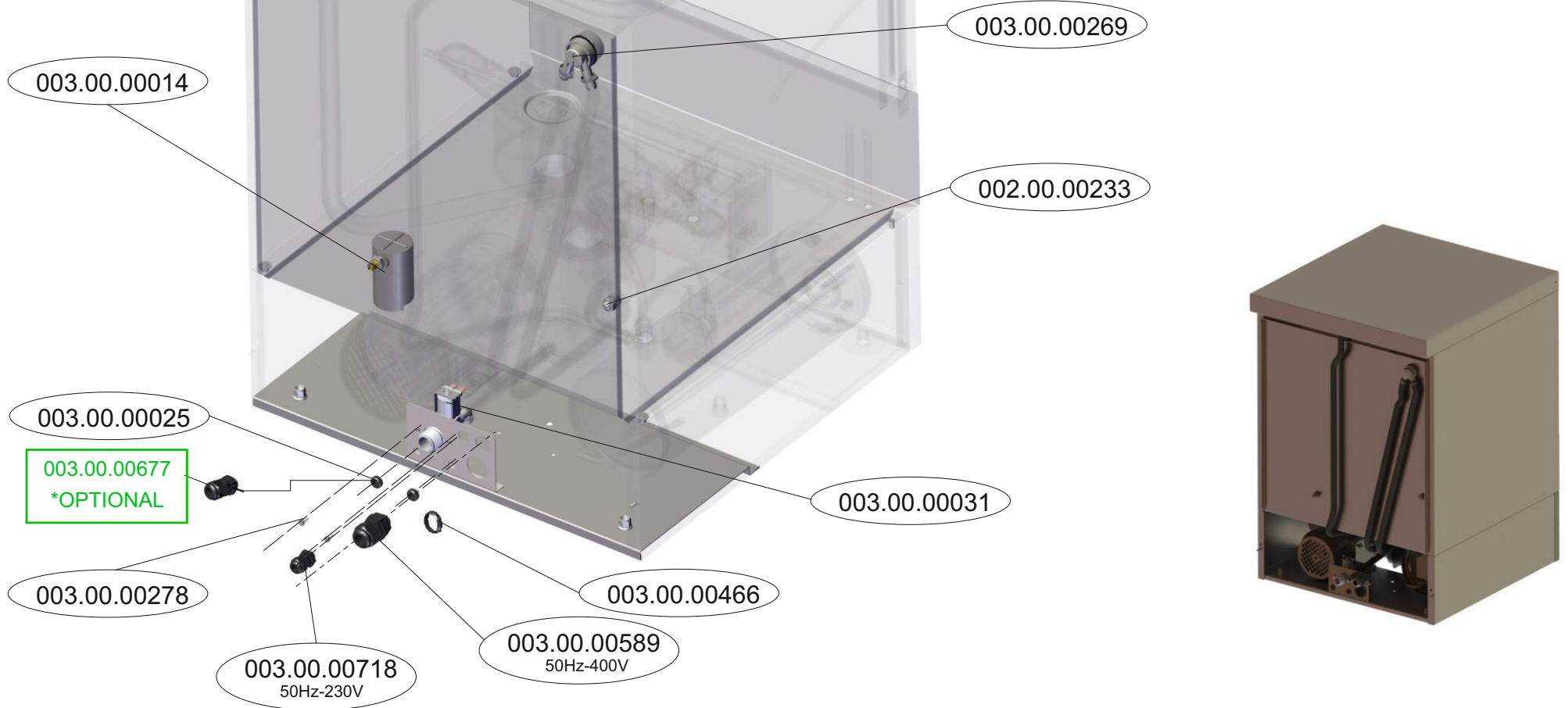
**MODEL 50**

R1

DESCRIPTION : ELECTROMECHANICAL - BACK

ITEM CODE : -

| PART ID        | DESCRIPTION  | QTY |
|----------------|--|-----|
| 003.00.00269   | NO RETURNE VALVE   | 1   |
| 002.00.00233   | DETERGENT TANK INJEKTOR 4-6mm                                | 1   |
| 003.00.00031-1 | WATER INPUT VALVE  | 1   |
| 003.00.00278   | HEX BOLT M4x10 GALVANISED<br>(WATER INPUT VALVE SUPPORT)     | 2   |
| 003.00.00466   | RUBBER CABLE PROTECTION N30<br>(WHEN MACHINE HAS DRAIN PUMP) | 1   |
| 003.00.00014   | PRESSOSTATS CHAMBER  | 1   |
| 003.00.00025   | CABLE RUBBER PROTECTOR No3 (STANDARD)                        | 1/1 |
| 003.00.00677   | CABLE CLAMP PG-07 (*optional)                                | 1/1 |
| OR             |  |     |
| 003.00.00718   | CABLE GLAND PG-11 (50Hz-230V)                                | 1   |
| 003.00.00589   | CABLE GLAND PG-16 (50Hz-400V)                                | 1   |



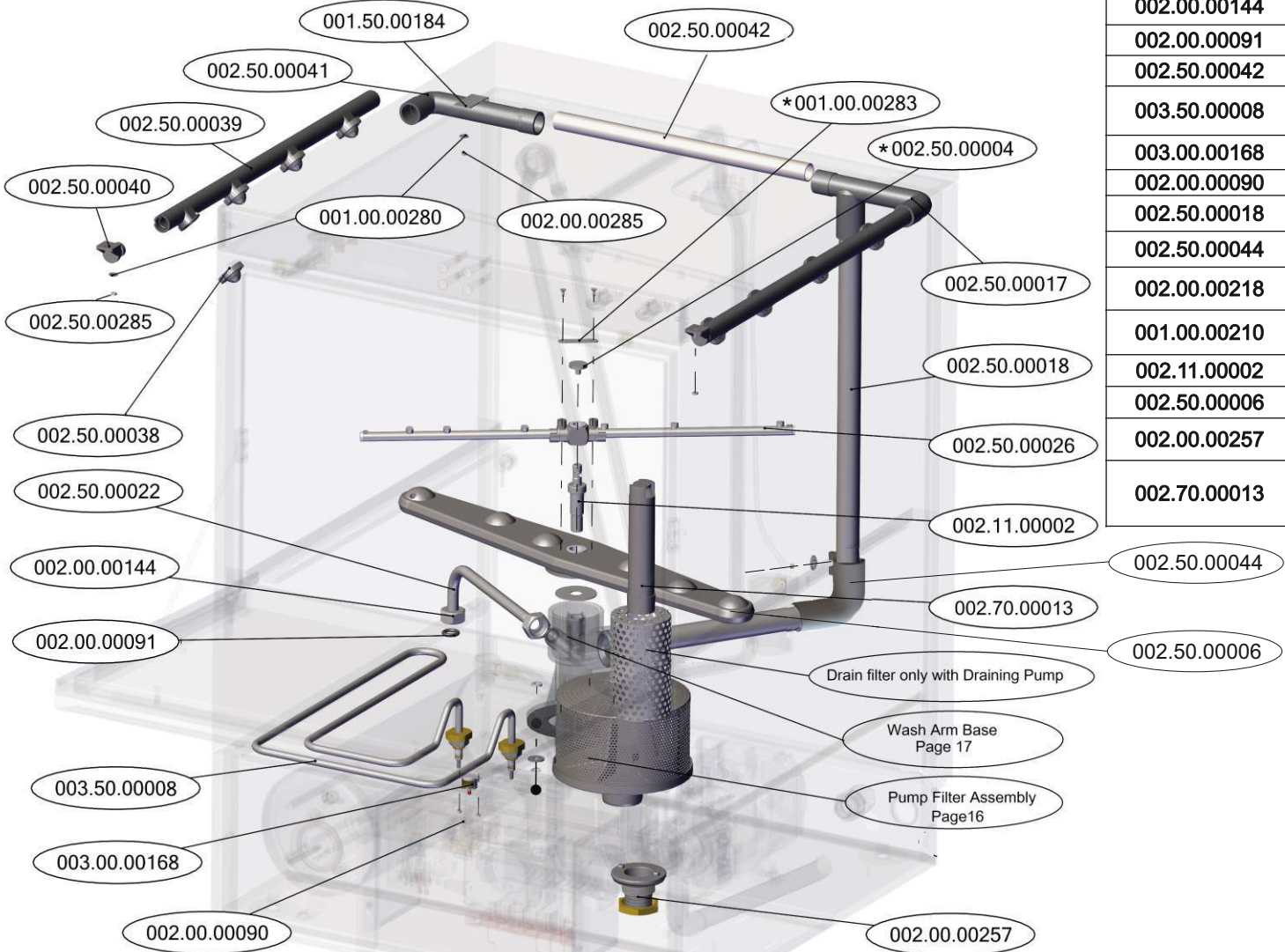


**MODEL 50**

R1

DESCRIPTION : ELECTROMECHANICAL - INSIDE-BOTTOM

ITEM CODE : -



| PART ID      | DESCRIPTION  | QTY |
|--------------|--|-----|
| 001.50.00184 | INOX BASE FOR WASHING ARM  | 1   |
| 002.50.00041 | CONNECTOR WASHING SYSTEM 2 CON.  | 1   |
| 002.50.00017 | CONNECTOR WASHING SYSTEM 3 CON.  | 1   |
| 001.00.00280 | WASHER D4x10 INOX  | 3   |
| 002.00.00095 | NUT M4 INOX  | 3   |
| 002.50.00039 | PLASTIC WASH ARM MOD50 LEFT-RIGHT  | 2   |
| 002.50.00040 | PLASTIC CAP FOR WASH ARM MOD50   | 2   |
| 002.50.00038 | SPRAYER FOR UPPER WASH ARM MOD50   | 8   |
| 002.50.00022 | RINSE PIPE MOD50 INOX  | 1   |
| 002.00.00144 | RINSE PIPE RETAINING NUT   | 2   |
| 002.00.00091 | ORING 10.5x3 (ON WASH BASE)  | 1   |
| 002.50.00042 | WASHING UPPER MED CONNECTION PART 310mm  | 1   |
| 003.50.00008 | HEATER ELEMENT TANK 2,8KW 230V V-K   | 1   |
| 003.00.00168 | THERMOFUSE TANK 90o(UNDER THE TANK)  | 1   |
| 002.00.00090 | NUT M3 GALVANISED  | 2   |
| 002.50.00018 | WASHING UPPER SYSTEM INOX SUPPLY   | 1   |
| 002.50.00044 | CONNECTOR WASHING SYSTEM PLASTIC MOD.50  | 1   |
| 002.00.00218 | NUT M6 INOX ( FOR 002.50.00044 SUPPORT)  | 1   |
| 001.00.00210 | INOX GROVER Ø6 (FOR 002.50.00044 SUPPORT)  | 1   |
| 002.11.00002 | AXLE INOX FOR BASE DOWN MOD50  | 1   |
| 002.50.00006 | WASHING ARM DOWN VER-KN.   | 1   |
| 002.00.00257 | DRAIN&OVERFLOW VALVE PLASTIC BASE COMPLETE                                       | 1   |
| 002.70.00013 | DRAIN&OVERFLOW VALVE PLASTIC PART NEW V-K<br>(For Machine With No Drainage Pump) | 1   |





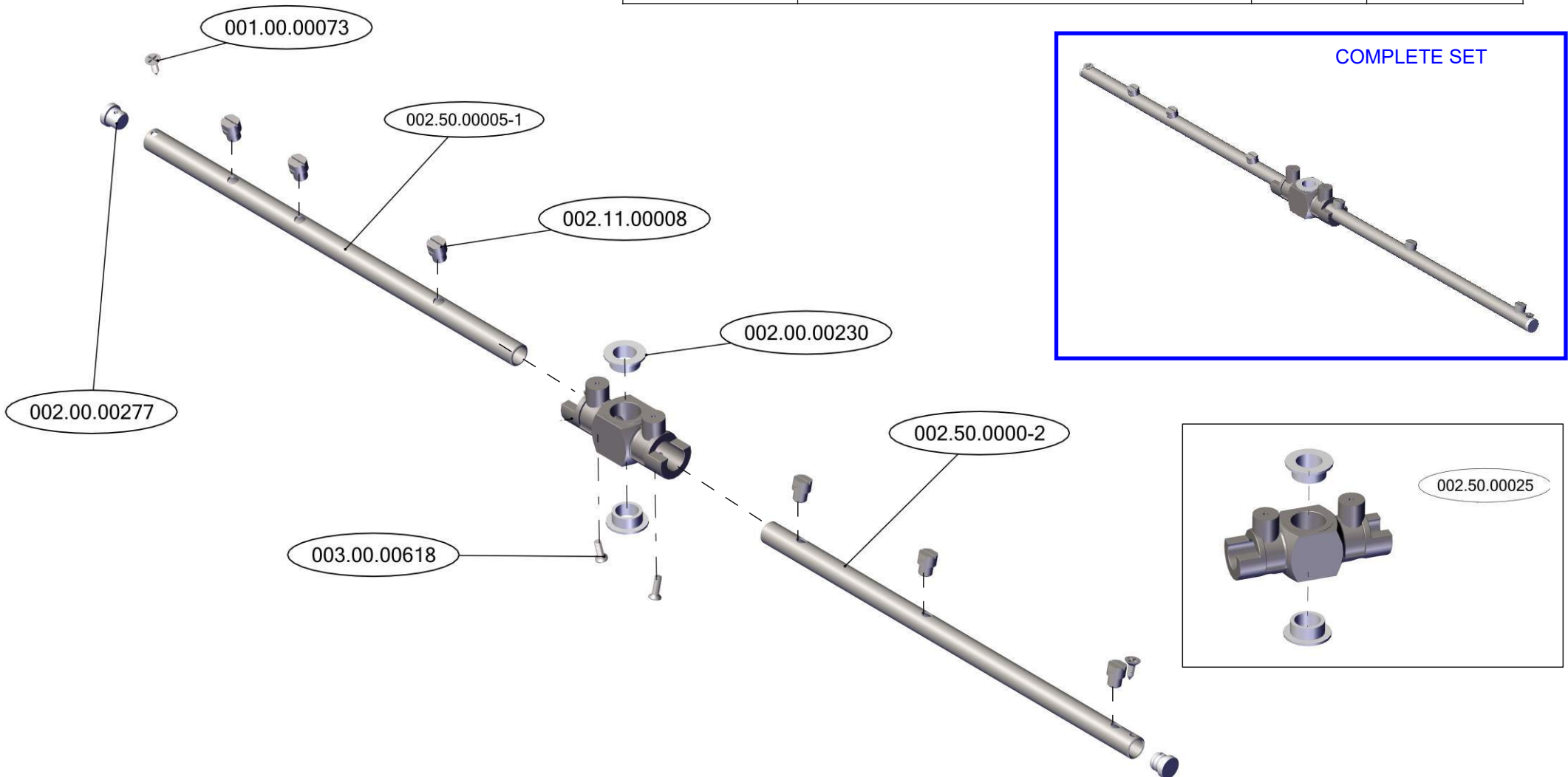
**MODEL 50**

R1

DESCRIPTION : RINSE ARM MOD50 COMPLETE - 2 SETS ONE UP AND ONE DOWN

ITEM CODE: [002.50.00026](#)

| PART ID        | DESCRIPTION                   | QTY- SET | PER MACHINE |
|----------------|-------------------------------|----------|-------------|
| 002.00.00230   | TEFLON D18x6                  | 2        | 4           |
| 002.50.00025   | PLASTIC BASE FOR RINSING ARMS | 1        | 2           |
| 003.00.00618   | INOX SCREW M3x10              | 2        | 4           |
| 002.11.00008   | SPRAYER FOR RINSING ARM       | 6        | 12          |
| 002.00.00277   | PLASTIC CAP FOR RINSE ARM     | 2        | 4           |
| 002.50.00005-1 | PIPE D10x220                  | 1        | 2           |
| 002.50.00005-2 | PIPE D10x220                  | 1        | 2           |
| 001.00.00073   | INOX SCREW 2.9x9.5            | 2        | 4           |



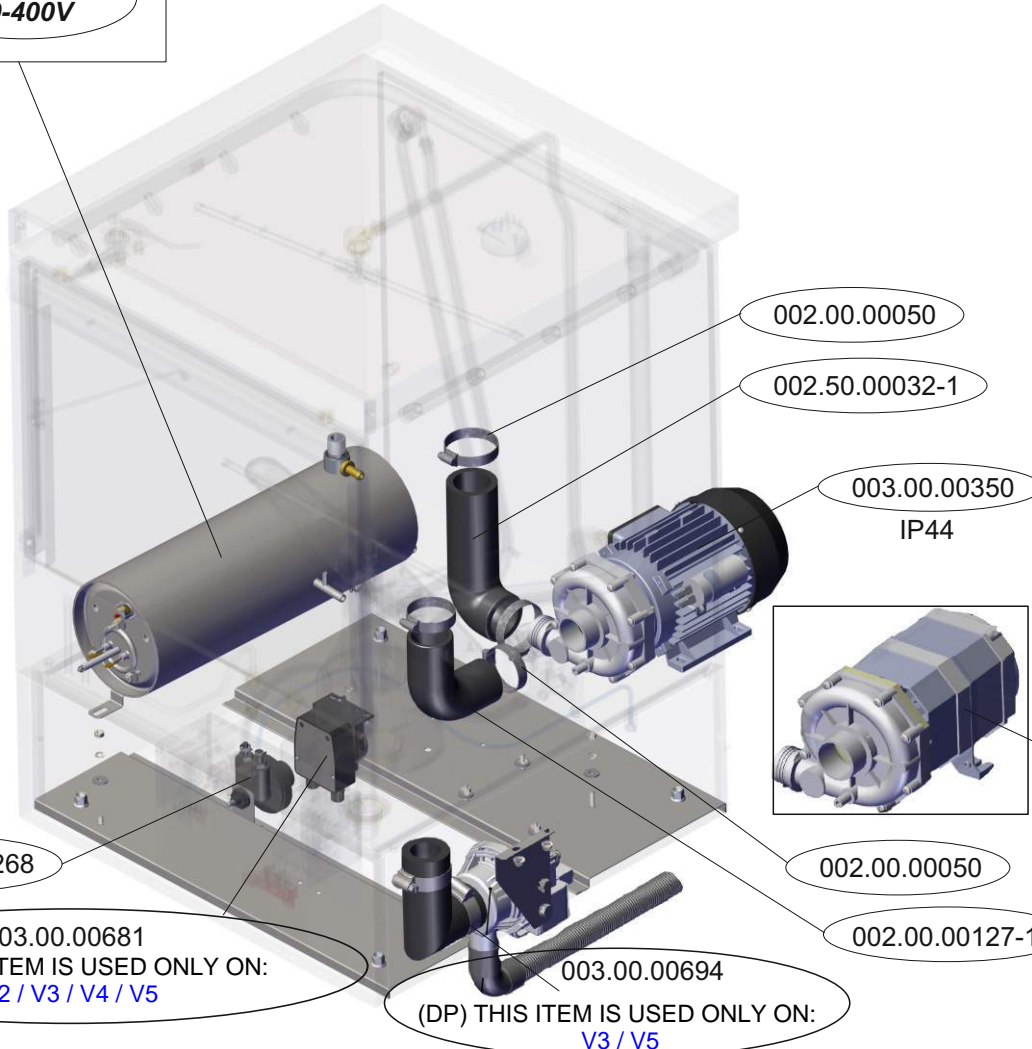
**MODEL 50**

R1

DESCRIPTION : ELECTROMECHANICAL - BASE

ITEM CODE : -

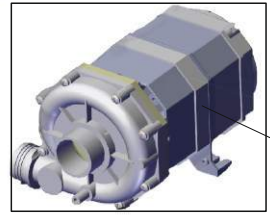
- 006.50.00001  
**50-230V**
- 006.50.00004  
**50-400V**



003.00.00268

003.00.00681  
(DT) THIS ITEM IS USED ONLY ON:  
**V2 / V3 / V4 / V5**

003.00.00694  
(DP) THIS ITEM IS USED ONLY ON:  
**V3 / V5**



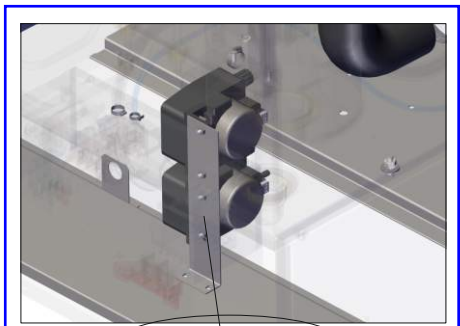
003.00.00350  
IP44

002.00.00050

002.00.00127-1

| PART ID        | DESCRIPTION  |          |
|----------------|--|----------|
| 006.50.00001   | <b>BOILER COMPLETE WITH HEATER ELEMENT 50-230V</b>                     | <b>1</b> |
| 006.50.00004   | <b>BOILER COMPLETE WITH HEATER ELEMENT 50-400V</b>                     | <b>1</b> |
| 003.00.00681   | <b>PUMP IP22 0.7hp 230 V 50 Hz</b>                                     | <b>1</b> |
| 003.00.00350   | <b>PUMP IP44 0,75 HP 50HZ 230V</b>                                     | <b>1</b> |
| 003.00.00041   | NUT M6 GALVANISED (BOILER, PUMP SUPPORT)                               | 3+2      |
| 001.00.00204   | LOCK WASHER D6 (BOILER, PUMP SUPPORT)                                  | 3+2      |
| 003.00.00516   | WASHER D6x18 GALVANISED (BOILER, PUMP SUPPORT)                         | 3+2      |
| 002.50.00032-1 | WASH PUMP HOSE - OUTLET  | 1        |
| 002.00.00127   | WASH PUMP HOSE - INPUT   | 1        |
| 002.00.00050   | CLAMP 40-60  | 4        |
| 003.00.00268   | HYDRAULIC RINCE AID VALVE<br>(MACHINE WITH MANUAL DETERGENT LOADING)   | 1        |
| 003.00.00685   | PERISTALTIC DETERGENT PUMP SEKO REG<br>(DT)                            | 1        |
| 003.00.00702   | DETERGENT - RINSE AID PUMP KIT MOD50<br>(DT-RP)                        | 1        |
| 003.00.00694   | TANK DRAINAGE PUMP KIT MOD50<br>(DP)                                   | 1        |
| 003.00.00046   | NUT M4 GALVANISED<br>(DRAINAGE PUMP, DETERGENT-RINSE AID PUMP SUPPORT) | 4        |
| 002.00.00140   | LOCK WASHER D4<br>(DRAINAGE PUMP, DETERGENT-RINSE AID PUMP SUPPORT)    | 4        |

OR  
OR



003.00.00702  
THIS ITEM IS USED ONLY ON: **V4 / V5**

**MODEL 50**

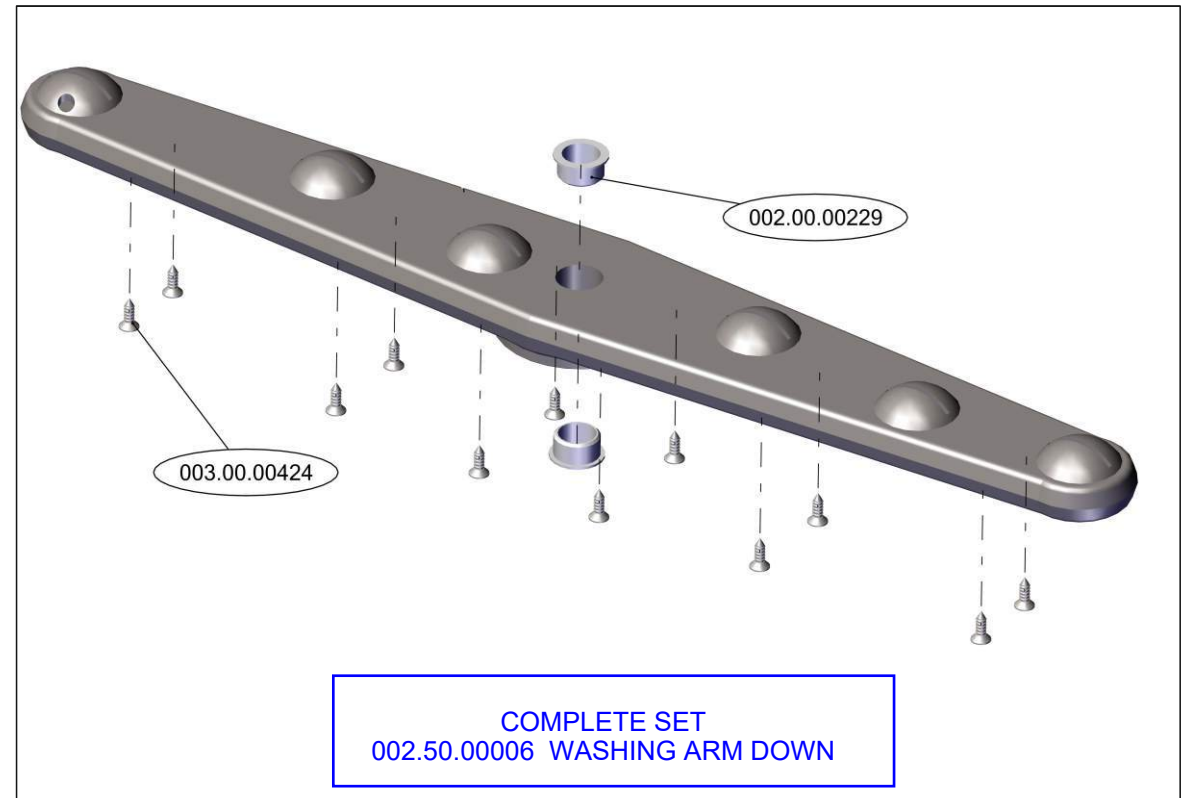
R1

DESCRIPTION : PUMP FILTER, WASHING ARM

ITEM CODE :



| PART ID      | DESCRIPTION  | QTY |
|--------------|--|-----|
| 002.00.00229 | TEFLON 23x10   | 2   |
| 003.00.00424 | INOX SCREW 4.2x13  | 12  |
| 001.00.00017 | FILTER RETAINING NUT                                       | 1   |
| 002.00.00081 | PLASTIC BASE FOR TANK FILTER MOD 50<br>(WITH ORING 52x2.5) | 1   |
| 002.00.00037 | NUT 1 1/2"   | 1   |
| 002.00.00093 | ORING 52x2.5   | 1   |
| 001.70.00000 | FILTER IN THE TANK FOR THE PUMP                            | 1   |
| 002.50.00006 | WASHING ARM DOWN VE-KN                                     | 1   |

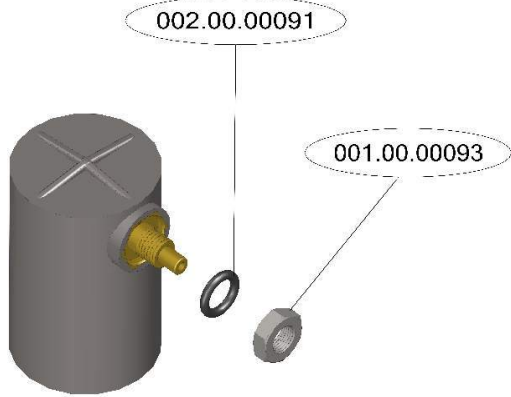


**MODEL 50**

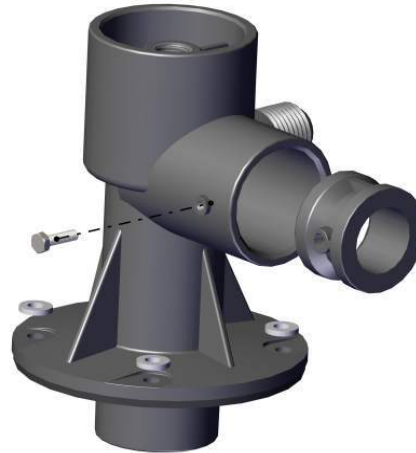
R1

DESCRIPTION : COMPONENTS

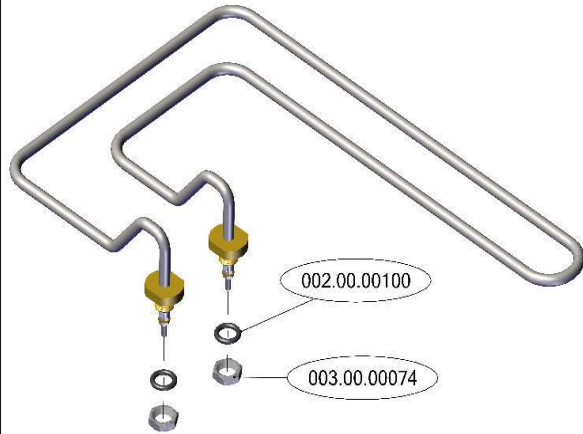
ITEM CODE : -



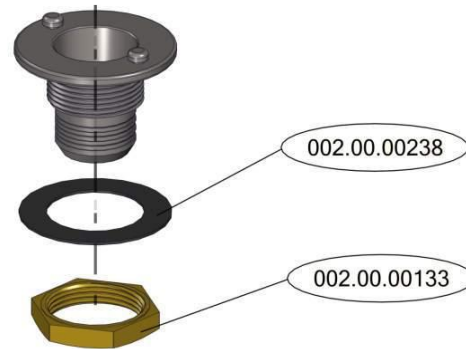
**COMPLETE SET**  
003.00.00014 PRESSOSTATS CHAMBER



**COMPLETE SET**  
002.50.00036 WASHING BASE DOWN V-K



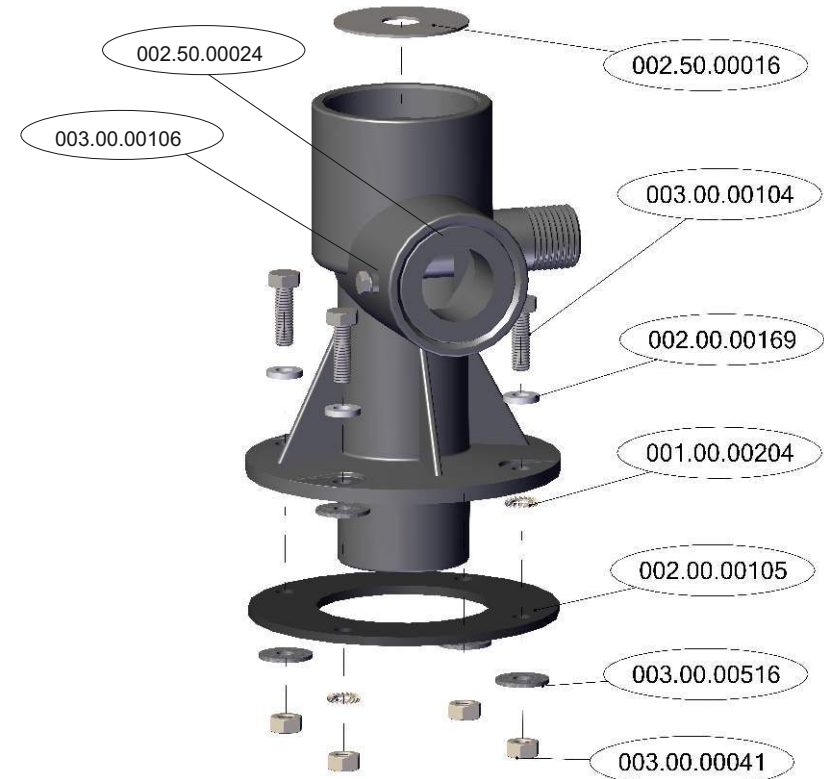
**COMPLETE SET**  
003.50.00008 HEATER ELEMENT TANK 2,8Kw



**COMPLETE SET**  
002.00.00257 DRAIN & OVERFLOW VALVE  
PLASTIC BASE COMPLETE

| PART ID      | DESCRIPTION   | QTY |
|--------------|---|-----|
| 002.00.00238 | RUBBER GASKET 36x55x1   | 1   |
| 002.00.00133 | BRONZE NUT M36  | 1   |
| 002.00.00091 | ORING 3x10.5  | 1   |
| 001.00.00093 | NUT M10 INOX - HALF   | 1   |
| 002.00.00100 | ORING 14x3.5  | 1   |
| 003.00.00074 | NUT M14 GALVANISED  | 1   |
| 002.50.00036 | WASHING BASE DOWN V-K (INCLUDED : 002.00.00169, 002.00.00105, 002.50.00024, 003.00.00106) | 1   |
| 002.50.00016 | FLOW CONTROL DISK MOD50   | 1   |
| 003.00.00104 | HEX BOLT INOX M6x20   | 4   |
| 002.00.00169 | TEFLON 12-6-2   | 4   |
| 001.00.00204 | LOCK WASHER D6  | 4   |
| 003.00.00041 | NUT M6 GALVANISED   | 4   |
| 002.00.00105 | RUBBER GASKET 103x58x3  | 1   |
| 003.00.00516 | WASHER D6x18 GALVANISED   | 4   |
| 002.50.00024 | ADAPTOR D40-25 FOR WASH BASE  | 1   |
| 003.00.00106 | INOX HEX BOLD M4X15   | 1   |

**WASHING ARM SUPPORT ASSEMBLY**





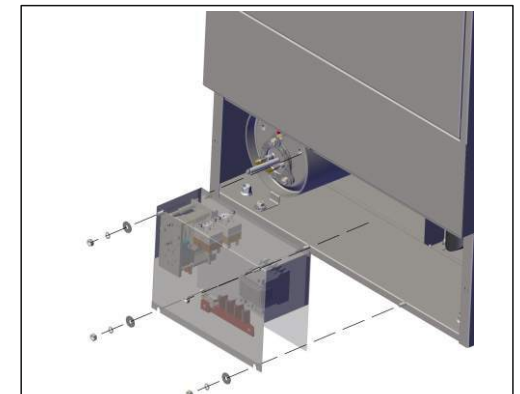
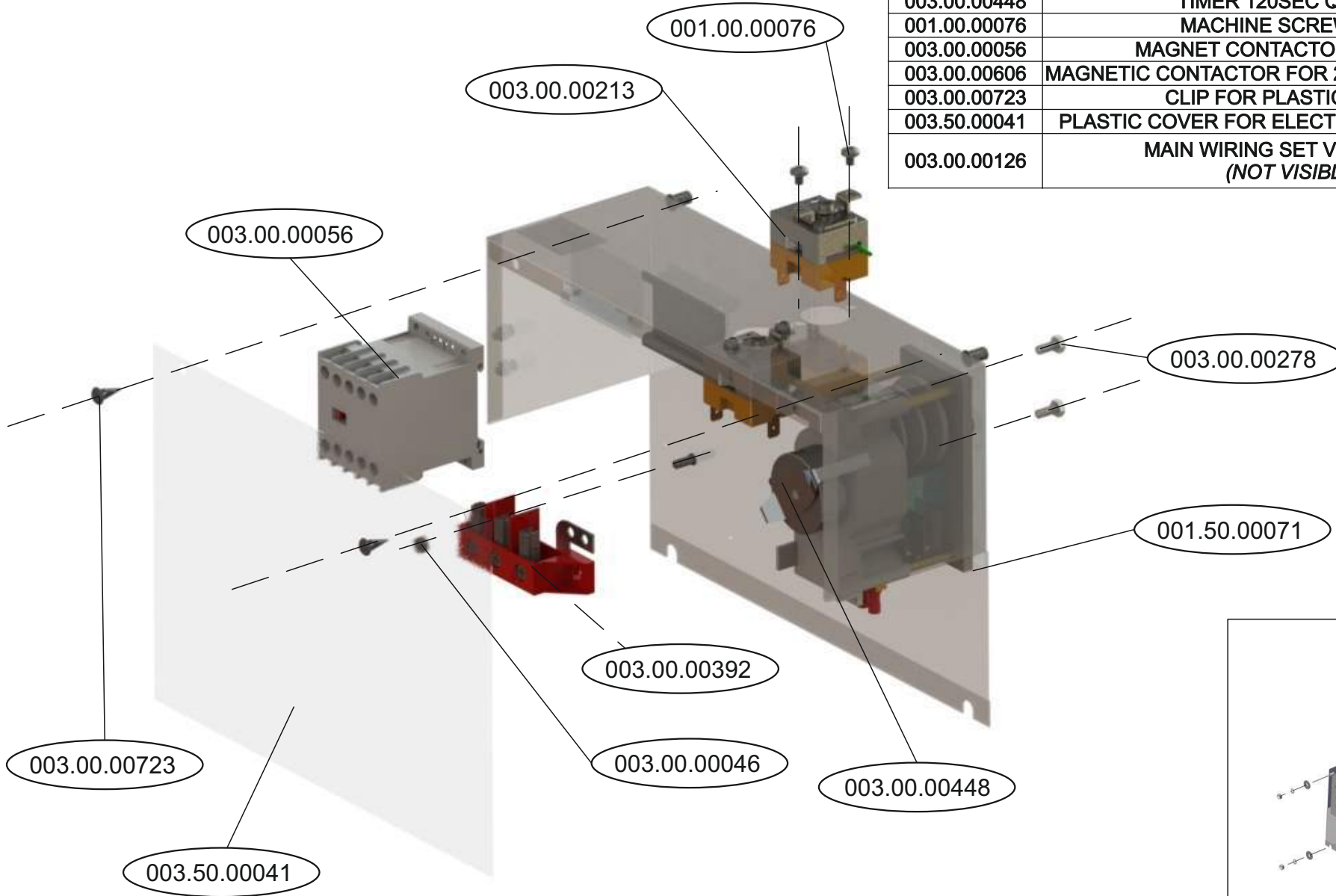
**MODEL 50**

R1

DESCRIPTION : ELECTRICAL BOX 50Hz-230V

ITEM CODE : 006.50.00002 FOR SINGLE PHASE MACHINE

| PART ID      | DESCRIPTION                                 | QTY |
|--------------|---|-----|
| 001.50.00071 | ELECTRICAL BOARD CASING -SINGLE PHASE       | 1   |
| 003.00.00046 | NUT M4 GALVANISED                           | 3   |
| 003.00.00392 | POWER SUPPLY BOARD 3con                     | 1   |
| 003.00.00213 | THERMOSTAT 0-90 C 1500 mm                   | 2   |
| 003.00.00278 | GALV HEX BOLD M4X10                         | 2   |
| 003.00.00448 | TIMER 120SEC Q START                        | 1   |
| 001.00.00076 | MACHINE SCREW M4x5                          | 2   |
| 003.00.00056 | MAGNET CONTACTOR MINI (1NO)                 | 1   |
| 003.00.00606 | MAGNETIC CONTACTOR FOR 230TF 7,5KW AC1-40A  | 1   |
| 003.00.00723 | CLIP FOR PLASTIC COVER                      | 2   |
| 003.50.00041 | PLASTIC COVER FOR ELECTRICAL BOX - MOD50    | 1   |
| 003.00.00126 | MAIN WIRING SET VERGINA SF<br>(NOT VISIBLE) | 1   |





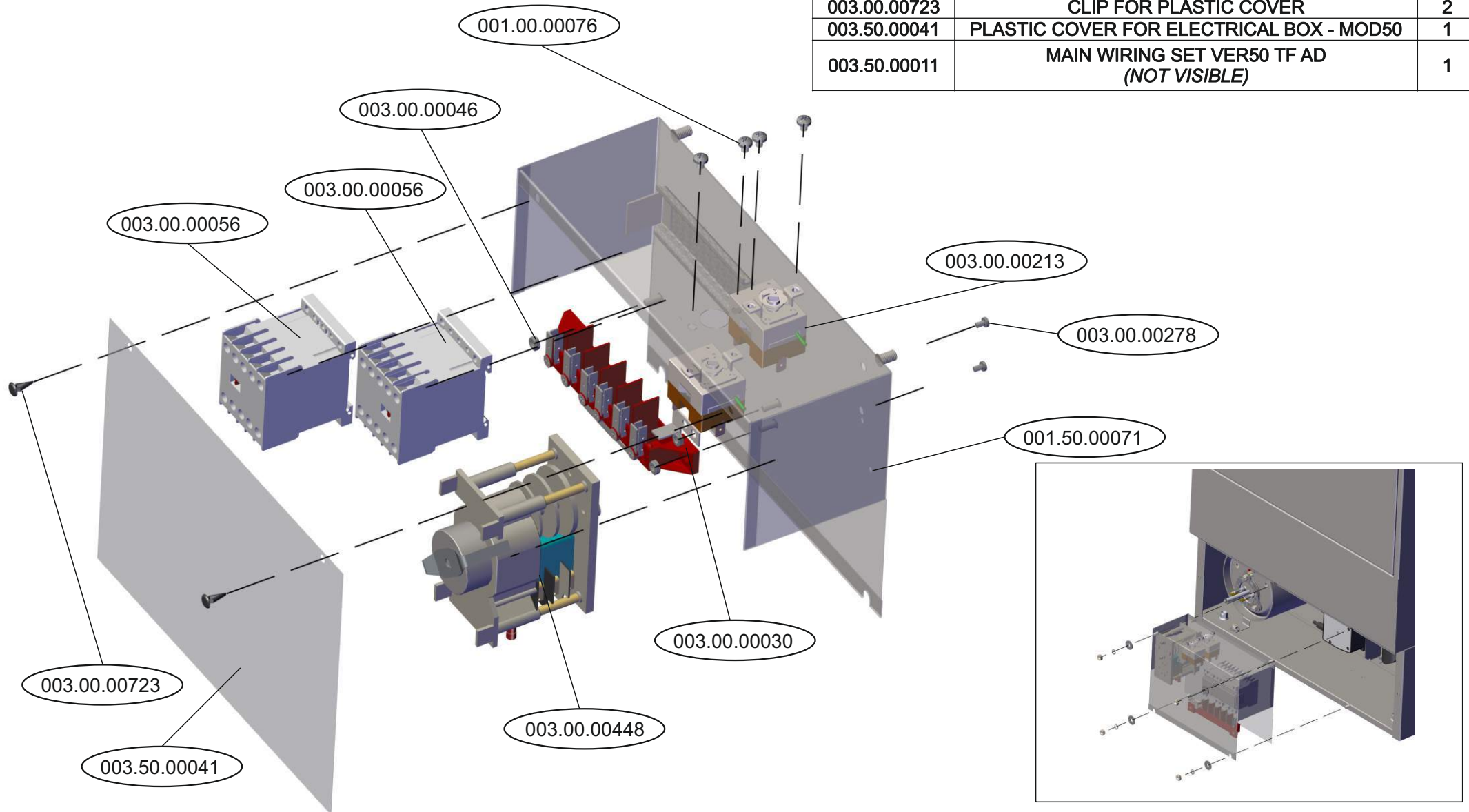
**MODEL 50**

R1

DESCRIPTION : ELECTRICAL BOX 50Hz-400V

ITEM CODE : **006.50.00003** FOR THREE PHASE MACHINE

| PART ID      | DESCRIPTION                                  | QTY |
|--------------|--|-----|
| 001.50.00071 | ELECTRICAL BOARD CASING - THREE PHASE        | 1   |
| 003.00.00046 | NUT M4 GALVANISED                            | 3   |
| 003.00.00030 | POWER SUPPLY BOARD 6con                      | 1   |
| 003.00.00213 | THERMOSTAT 0-90 C 1500 mm                    | 2   |
| 003.00.00278 | GALV HEX BOLD M4X10                          | 2   |
| 003.00.00448 | TIMER 120SEC Q START                         | 1   |
| 001.00.00076 | MACHINE SCREW M4x5                           | 2   |
| 003.00.00056 | MAGNET CONTACTOR MINI (1NO)                  | 2   |
| 003.00.00723 | CLIP FOR PLASTIC COVER                       | 2   |
| 003.50.00041 | PLASTIC COVER FOR ELECTRICAL BOX - MOD50     | 1   |
| 003.50.00011 | MAIN WIRING SET VER50 TF AD<br>(NOT VISIBLE) | 1   |



**MODEL 50**

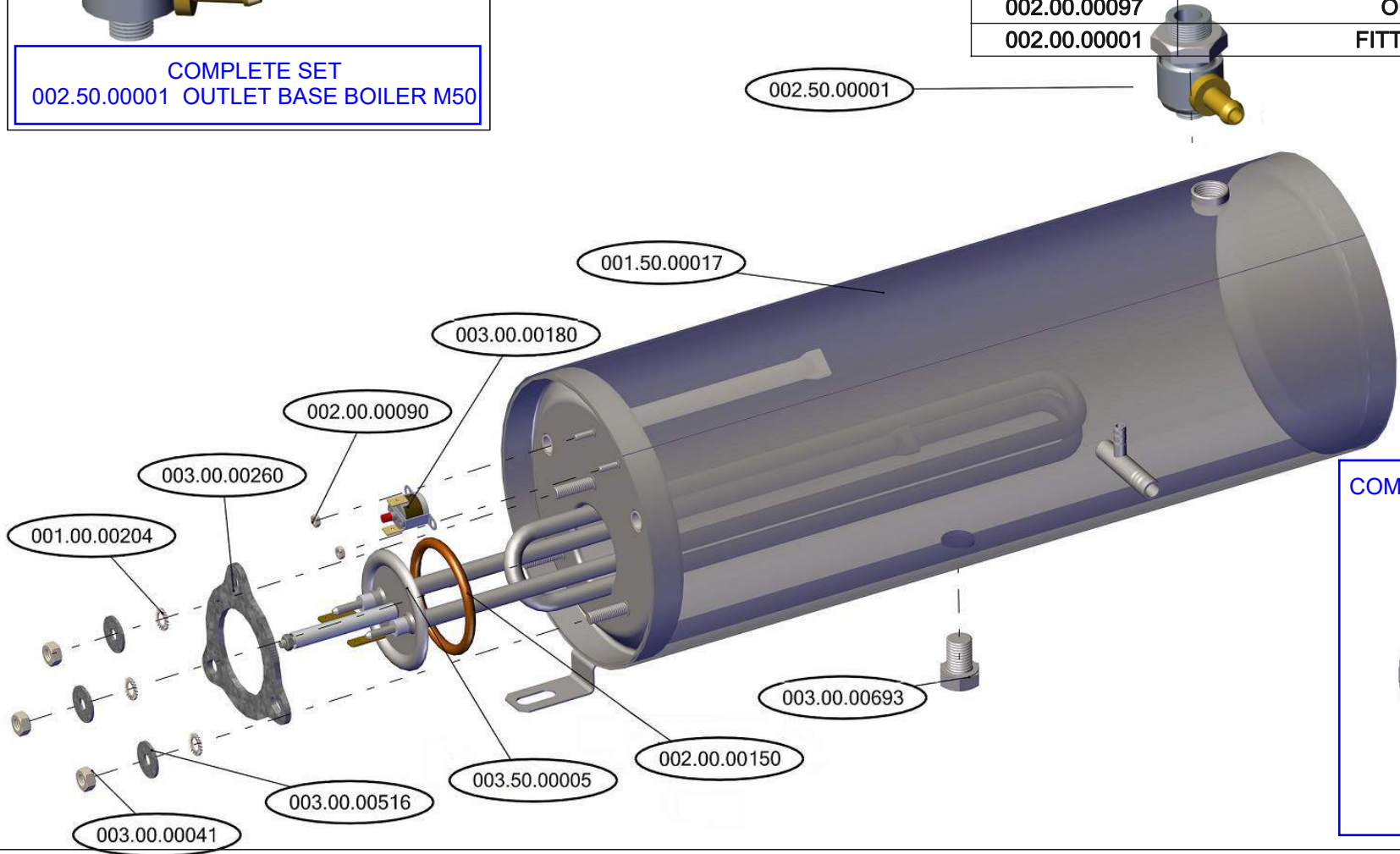
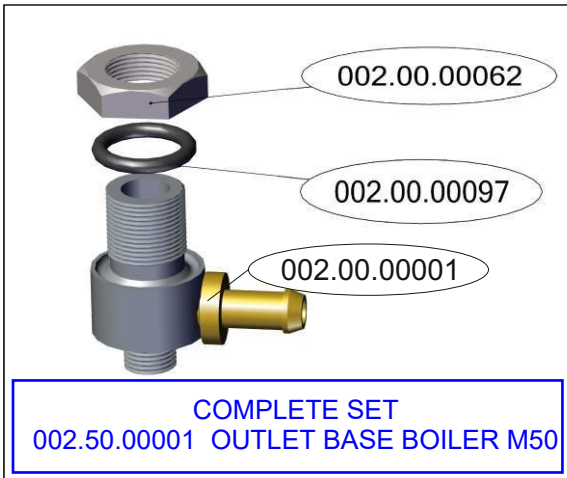
R1

DESCRIPTION : BOILER COMPLETE WITH HEATER ELEMENT 50-230 Volt

ITEM CODE : **006.50.00001**

**FOR SINGLE PHASE MACHINE**

| PART ID      | DESCRIPTION                                  | QTY |
|--------------|--|-----|
| 001.50.00017 | BOILER FOR MOD50 - STEEL                     | 1   |
| 003.00.00693 | M12x16 INOX HEX (1.75)                       | 1   |
| 003.50.00005 | HEATER ELEM.BOILER 3KW 230V V-K (WITH ORING) | 1   |
| 002.00.00150 | O RING 45X6                                  | 1   |
| 003.00.00260 | BOIL.ELEMENT FITTING BASE                    | 1   |
| 003.00.00516 | WASHER D6x18 GALVANISED                      | 3   |
| 001.00.00204 | LOCK WASHER D6                               | 3   |
| 003.00.00041 | NUT M6 GALVANISED                            | 3   |
| 003.00.00180 | THERMOFUSE BOILER 105°C                      | 1   |
| 002.00.00090 | NUT M3 GALVANISED                            | 2   |
| 002.50.00001 | OUTLET BASE BOILER MOD50                     | 1   |
| 002.00.00062 | NUT 1/2 INOX                                 | 1   |
| 002.00.00097 | ORING 20x4                                   | 1   |
| 002.00.00001 | FITTINGS 1/4X10                              | 1   |



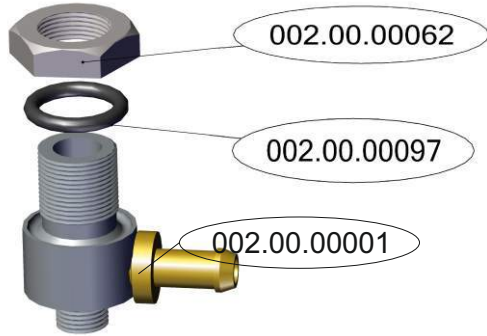
**MODEL 50**

R1

DESCRIPTION : BOILER COMPLETE WITH HEATER ELEMENT 50-400V

ITEM CODE : **006.50.00004** FOR THREE PHASE MACHINE

| PART ID      | DESCRIPTION                                     | QTY |
|--------------|---|-----|
| 001.50.00017 | BOILER FOR MOD50 - STEEL                        | 1   |
| 003.00.00693 | M12x16 INOX HEX (1.75)                          | 1   |
| 003.00.00411 | HEATER ELEMENT BOILER 6KW 400V V-K (WITH ORING) | 1   |
| 002.00.00150 | O RING 45X6                                     | 1   |
| 003.00.00260 | BOIL.ELEMENT FITTING BASE                       | 1   |
| 003.00.00516 | WASHER D6x18 GALVANISED                         | 3   |
| 001.00.00204 | LOCK WASHER D6                                  | 3   |
| 003.00.00041 | NUT M6 GALVANISED                               | 3   |
| 003.00.00180 | THERMOFUSE BOILER 105°C                         | 1   |
| 002.00.00090 | NUT M3 GALVANISED                               | 2   |
| 002.50.00001 | OUTLET BASE BOILER MOD50                        | 1   |
| 002.00.00062 | NUT 1/2 INOX                                    | 1   |
| 002.00.00097 | ORING 20x4                                      | 1   |
| 002.00.00001 | FITTINGS 1/4X10                                 | 1   |



**COMPLETE SET**  
002.50.00001 OUTLET BASE BOILER M50



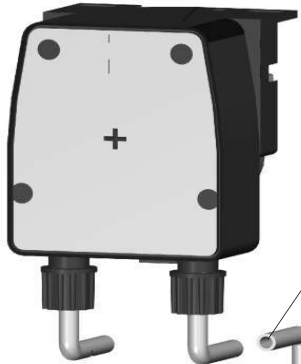
**MODEL 50**

R1

DESCRIPTION : DETERGENT & RINSE AID PUMP KIT 003.00.00702

ITEM CODE: 003.00.00702

| PART ID      | DESCRIPTION                         | QTY  |
|--------------|-------------------------------------|------|
| 001.50.00078 | BRACKET FOR PERISTALTIC PUMPS MOD50 | 1    |
| 002.00.00195 | BALANCE F15x20                      | 2    |
| 002.00.00233 | DETERGENT TANK INJEKTOR 4-6mm       | 1    |
| 002.00.00242 | FILTER PLASTIC FOR RINSE AID VALVE  | 2    |
| 003.00.00046 | NUT GALVANISED M4                   | 6    |
| 003.00.00140 | TUBO TRANSPARENT 4x6                | 1.8m |
| 003.00.00140 | TUBO TRANSPARENT 4x6                | 0.8m |
| 003.00.00278 | HEX BOLT M4x10 GALVANISED           | 4    |
| 003.00.00487 | TUBO PVC BLUE 4x6                   | 1.8m |
| 003.00.00685 | PERISTALTIC DETERGENT PUMP SEKO REG | 1    |
| 003.00.00686 | PERISTALTIC RINSE AID PUMP SEKO REG | 1    |
| 002.00.00140 | LOCK WASHER M4                      | 2    |



003.00.00140



002.00.00195



002.00.00242



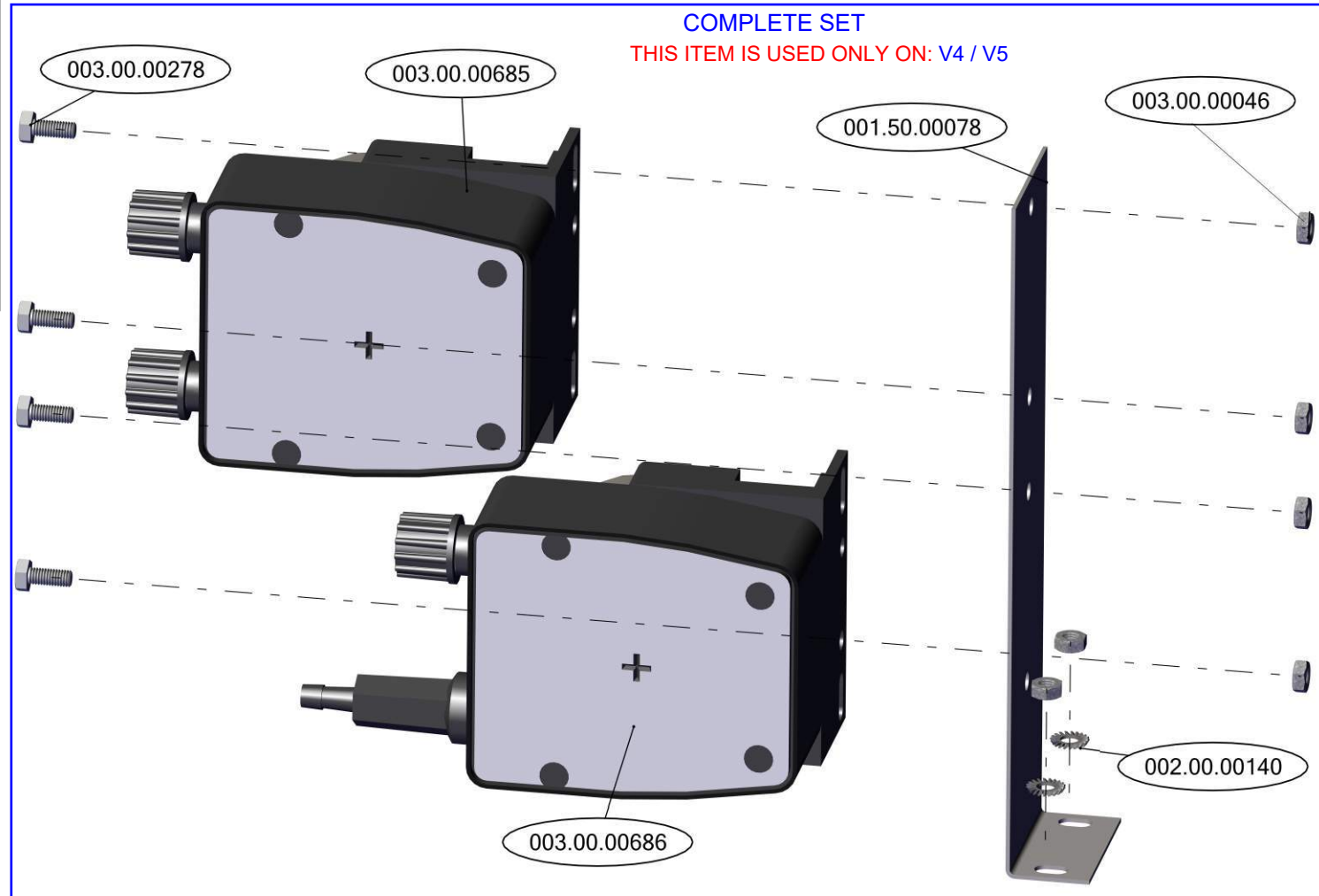
002.00.00233

COMPLETE SET  
003.00.00685 PERISTALTIC DETERGENT PUMP  
SEKO REG



003.00.00487

COMPLETE SET  
003.00.00686 PERISTALTIC RINSE AID PUMP  
SEKO REG





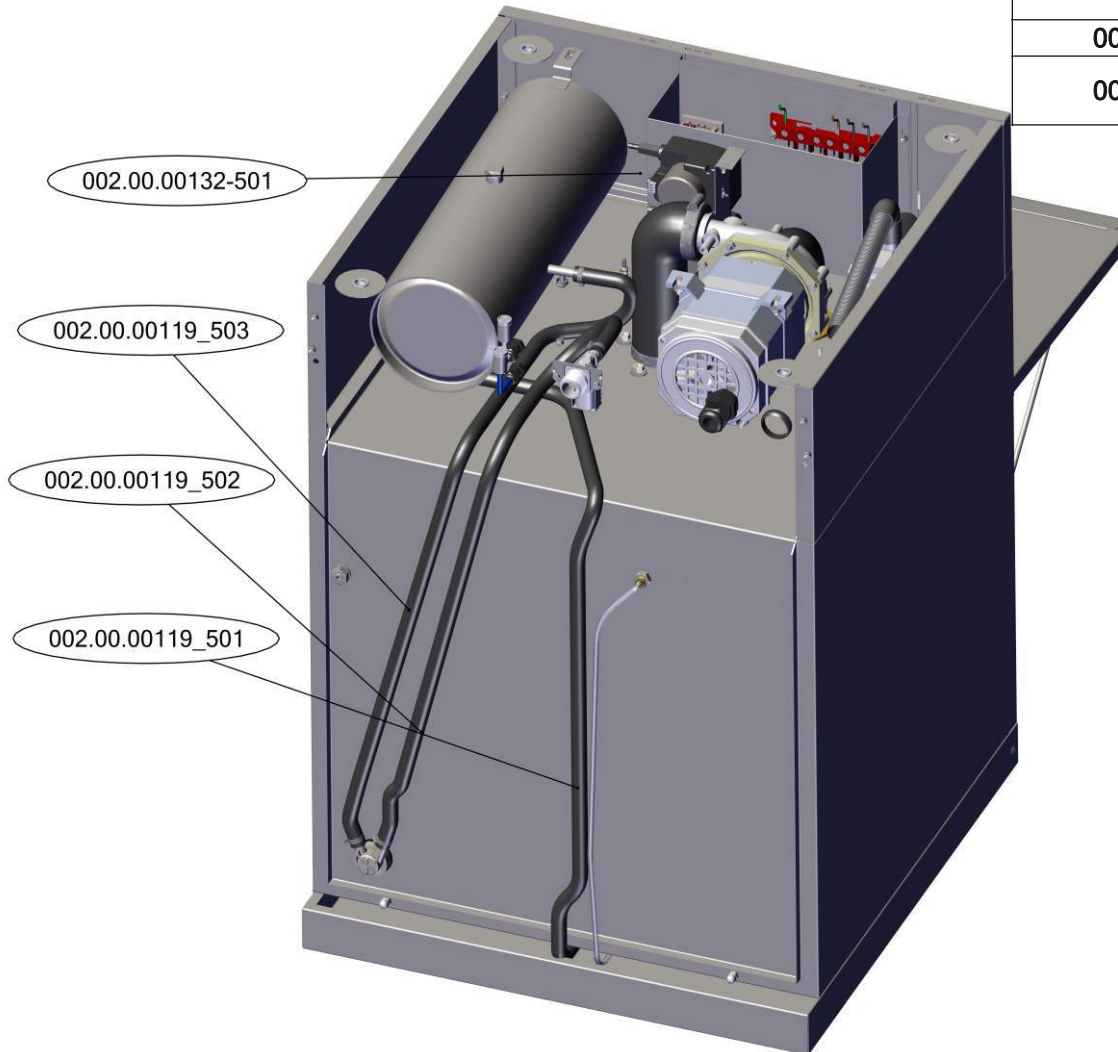
**MODEL 50**

R1

DESCRIPTION : HOSES

ITEM CODE : -

| PART ID          | DESCRIPTION   | QTY |
|------------------|---|-----|
| 002.00.00132-501 | HOSE BLACK (1/4)6x12 , L : 0.3mm<br><b>RINSE PUMP ↔ BOILER</b>      | 1   |
| 002.00.00231     | CLAMP 8-12 (FOR HOSE 1/4)   | 2   |
| 002.00.00119-501 | HOSE BLACK (3/8)10x16.5 L : 1.2m<br><b>BOILER ↔ UPPER RINSE ARM</b> | 1   |
| 002.00.00119-502 | HOSE BLACK (3/8)10x16.5<br><b>BOILER ↔ WATER VALVE</b>              | 1   |
| 002.00.00119-503 | HOSE BLACK (3/8)10x16.5<br><b>BOILER ↔ NO RETURN VALVE</b>          | 1   |
| 002.00.00052     | CLAMP 10-16 (FOR HOSE 3/8)  | 8   |
| 002.00.00048     | CLAMP 25-40 (FOR DRAINING PUMP INLET)                               | 2   |



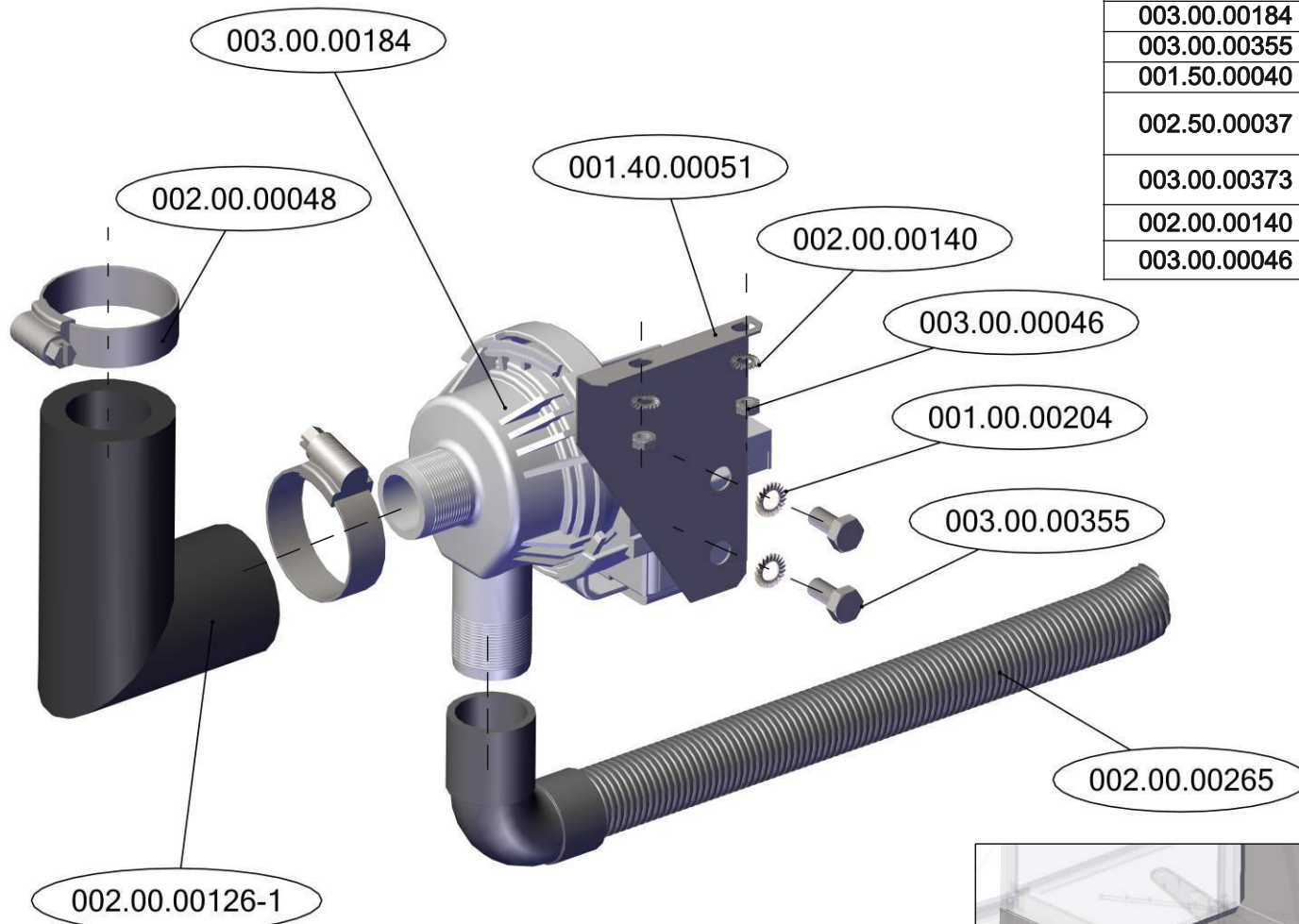


**MODEL 50**

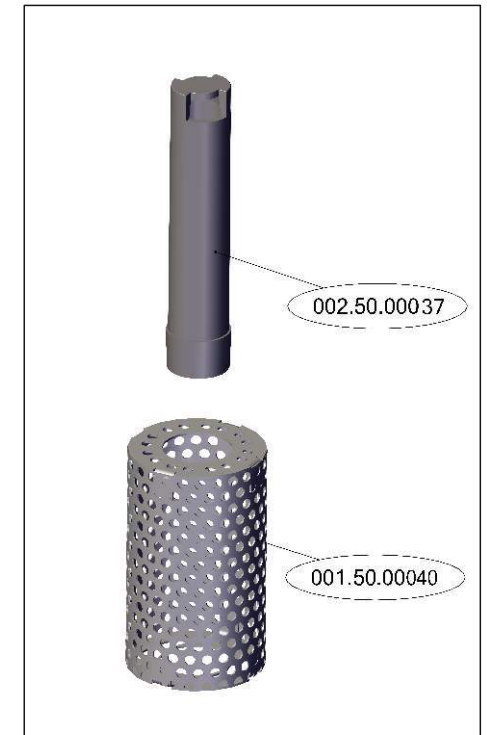
R1

DESCRIPTION : DRAINING PUMP KIT FOR MODEL 50

ITEM CODE : 003.00.00694

**(DP) THIS ITEM IS USED ONLY ON: V3 / V5**

| PART ID        | DESCRIPTION  | QTY |
|----------------|--|-----|
| 001.00.00204   | LOCK WASHER D6   | 2   |
| 001.40.00051   | INOX BASE FOR DRAINING PUMP  | 1   |
| 002.00.00048   | CLAPM 25-40  | 2   |
| 002.00.00126-1 | WASH PAMP HOSE (INPUT)   | 1   |
| 002.00.00265   | ELBOW DRAINING PIPE OD22-ID19 L:1.5m                                   | 1   |
| 003.00.00184   | TANK DRAINING PUMP 230v-65W  | 1   |
| 003.00.00355   | HEX BOLT M6x12 GALVANISED  | 2   |
| 001.50.00040   | DRAIN PUMP FILTER VE50   | 1   |
| 002.50.00037   | DRAIN&OVERFLOW VALVE PLASTIC PART FOR MODEL 50-DRAINING PUMP           | 1   |
| 003.00.00373   | SWITCH ON/ON 6CONT<br>(ALREADY INSTALLED ON DISPLAY PANEL-NOT VISIBLE) | 1   |
| 002.00.00140   | LOCK WASHER D4   | 2   |
| 003.00.00046   | NUT M4 GALVANISED  | 2   |



**MODEL 50**

R1

DESCRIPTION : EQUIPMENT

ITEM CODE : -



P1

003.00.00307



002.00.00109

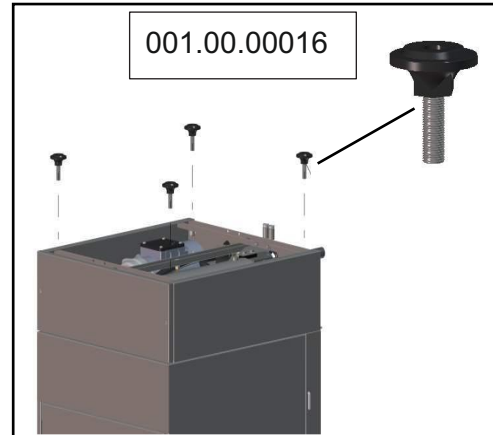


P2

003.00.00711



002.00.00038



001.00.00016

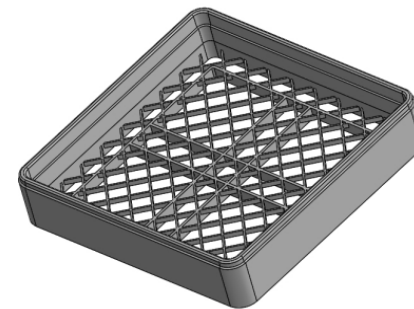


P3

003.00.00725



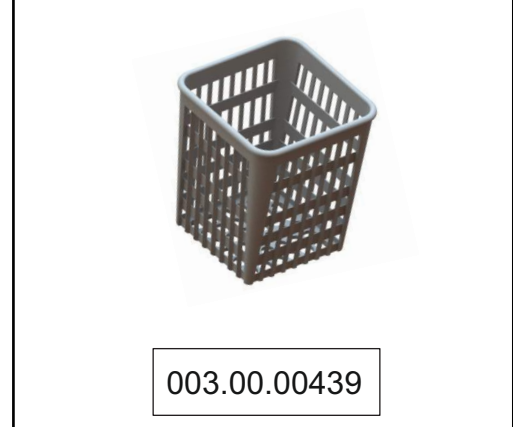
002.00.00265



003.00.00390



003.00.00166



003.00.00439

| PART ID      | DESCRIPTION  | QTY |
|--------------|--|-----|
| 001.00.00016 | FOOT SMALL M10   | 4   |
| 002.00.00109 | INLET HOSE 1500mm  | 1   |
| 003.00.00439 | PLASTIC CUTLERY QUADRATO                                       | 1   |
| 003.00.00166 | PLAST.BASKET 50X50 FOR DISH VE,KN,TU                           | 1   |
| 003.00.00390 | PLAST.BASKET 50X50 FOR GLASSES VE KN.TU                        | 1   |
| 003.00.00711 | POWER SUPPLY CABLE 5x2,5 -2,3m                                 | 1   |
| 003.00.00307 | POWER SUPPLY CABLE 3x2,5 -2,3m                                 | 1   |
| 003.00.00725 | POWER SUPPLY CABLE WITH SCHUKO 3x2,5 - 2,7M2,7M                | 1   |
| 002.00.00038 | STRAIGHT DRAINING PIPE OD29-ID24-2m                            | 1   |
| 002.00.00265 | ELBOW DRAINING PIPE OD22-ID19-1,5m FOR MACHINE WITH DRAIN PUMP | 1   |