



**7492.0130**

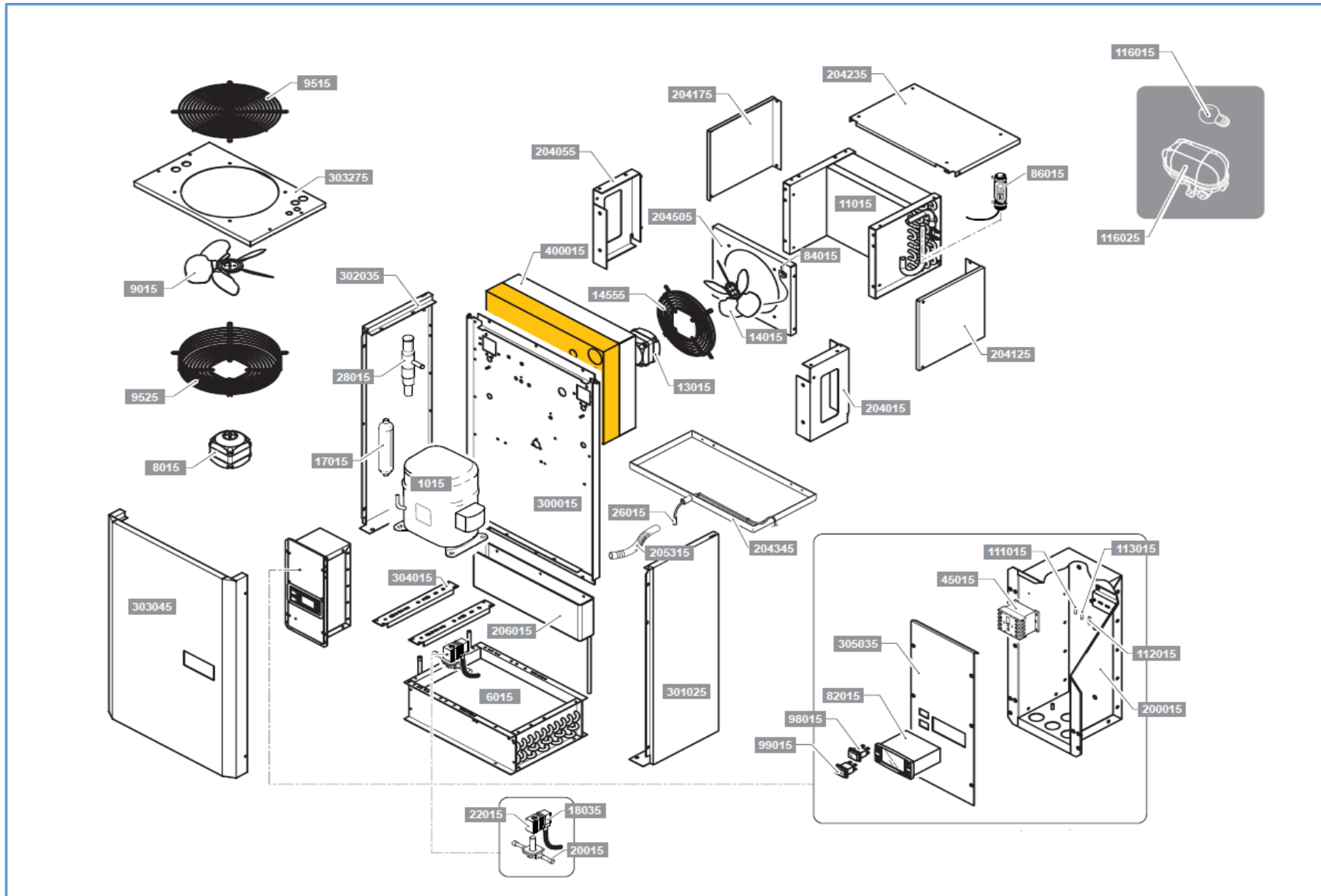
Onderdelen informatie

Erzatzteil information

Spare part information

Information de pièces





## Onderdelenlijst 7492.0130

POS:	Art.No.:	Omschrijving:	Aantal:
1015	9181.2255	Compressor	
6015		Condenser	
8015	9806.0028	Condenser fan motor	
9015	9806.0046	Condenser fan	
9515	9806.0022	Condenser fan grid	
9525	9806.0023	Condenser fan motor bearing grid	
11015		Evaporator	
13015	9806.0029	Evaporator fan motor	
14015	9806.0047	Evaporator fan	
14555	9806.0021	Evaporator fan motor bearing grid	
17015	9806.0013	Gas filter	
18035	9806.0009	Solenoid valve terminal	
20015	9806.0044	Defrost solenoid valve	
22015	9806.0002	Solenoid valve coil	
26015	9806.0037	Drain heater	
45015	9806.0042	Compressor contactor	
82015		Electronic control instrument	
84015	9806.0038	Room temperature probe	
86015	9806.0038	Evaporator temperature probe	
98015	9806.0024	Auxiliary circuit main switch	
99015	9806.0026	Room light switch	
111015	9806.0015	Auxiliary circuit fuse	
112015	9806.0016	Room light fuse	
116015	9806.0027	Lamp	
116025	9806.0032	Lamp holder	
204015		Evaporator left holder	
204055		Evaporator right holder	
204125	9806.0086	Evaporator left side panel	
204175	9806.0087	Evaporator right side panel	
204235		Evaporator cover	
204345		Evaporator plastic drain tray	
204505		Evaporator fan holder	
205315	9806.0041	Evaporator drain pipe (each metre)	
206015		Condensate evaporation tray	
300015		Condensing section back	
301025		Condensing section right side panel	
302035		Condensing section left side panel	
303045		Condensing section front cover	
303275		Condensing section cover/ fan holder	
304015		Compressor holder	