



7492.0025

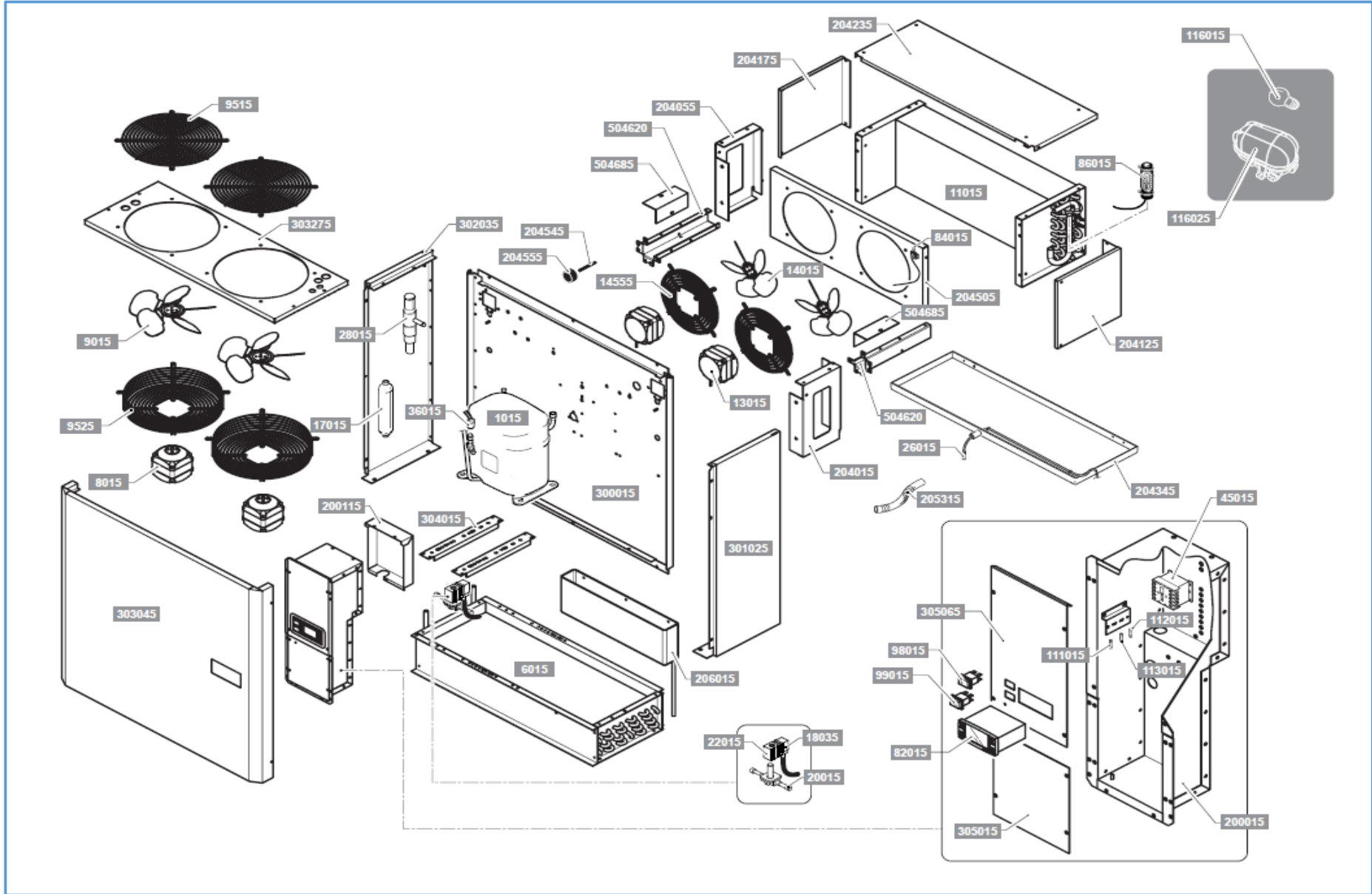
Onderdelen informatie

Erzatzteil information

Spare part information

Information de pièces





Onderdelenlijst 7492.0025

POS:	Art.No.:	Omschrijving:	Aantal:
1015	9286.0016	Compressor FH2480Z	/ ST
6015	9806.0007	Condenser	/ ST
8015	9806.0028	Condenser fan motor	/ ST
9015	9806.0046	Condenser fan	/ ST
9515	9806.0022	Condenser fan grid	/ ST
9525	9806.0023	Condenser fan motor bearing grid	/ ST
11015	9806.0011	Evaporator	/ ST
13015	9806.0029	Evaporator fan motor	/ ST
14015	9806.0047	Evaporator fan	/ ST
14555	9806.0021	Evaporator fan motor bearing grid	/ ST
17015	9806.0013	Gas filter	/ ST
18035	9806.0009	Solenoid valve terminal	/ ST
20015	9806.0045	Defrost solenoid valve	/ ST
22015	9806.0002	Solenoid valve coil	/ ST
26015	9806.0037	Drain heater	/ ST
28015		Pressure regulating valve	/ ST
45015	9806.0042	Compressor contactor	/ ST
82015	9806.0043	Electronic control instrument	/ ST
84015	9806.0038	Room temperature probe	/ ST
86015	9806.0039	Evaporator temperature probe	/ ST
98015	9806.0024	Auxiliary circuit main switch	/ ST
99015	9806.0026	Room light switch	/ ST
111015	9806.0015	Auxiliary circuit fuse	/ ST
112015	9806.0016	Room light fuse	/ ST
113015	9806.0016	Door heater fuse	/ ST
116015	9806.0027	Lamp	/ ST
116025	9806.0032	Lamp holder	/ ST
200015	9806.0092	Unit switchboard	/ ST
200115	9806.0058	Switchboard back protection	/ ST
204015	9806.0084	Evaporator left holder	/ ST
204055	9806.0085	Evaporator right holder	/ ST
204125	9806.0086	Evaporator left side panel	/ ST
204175	9806.0087	Evaporator right side panel	/ ST
204235	9806.0068	Evaporator cover	/ ST
204345	9806.0070	Evaporator plastic drain tray	/ ST
204505	9806.0069	Evaporator fan holder	/ ST
204545	9806.0001	Adjustable evaporator holder	/ ST
204555	9806.0018	Adjustable evaporator holder feet	/ ST
205315	9806.0041	Evaporator drain pipe (each metre)	/ ST
206015	9806.0048	Condensate evaporation tray	/ ST
300015	9806.0066	Condensing section back	/ ST
301025	9806.0089	Condensing section right side panel	/ ST
302035	9806.0088	Condensing section left side panel	/ ST
303045	9806.0065	Condensing section front cover	/ ST
303275	9806.0067	Condensing section cover/ fan holder	/ ST
304015	9806.0090	Compressor holder	/ ST
305065	9806.0055	Switchboard upper front side	/ ST
305015	9806.0056	Switchboard lower front side	/ ST
35015	9806.0033	Low pressure switch	/ ST
36015	9806.0035	High pressure switch	/ ST
504620	9806.0052	Straddle type holder	/ ST
504685	9806.0054	Straddle type angle iron	/ ST