

# ecofrost

**7950.5135**

Onderdelen informatie

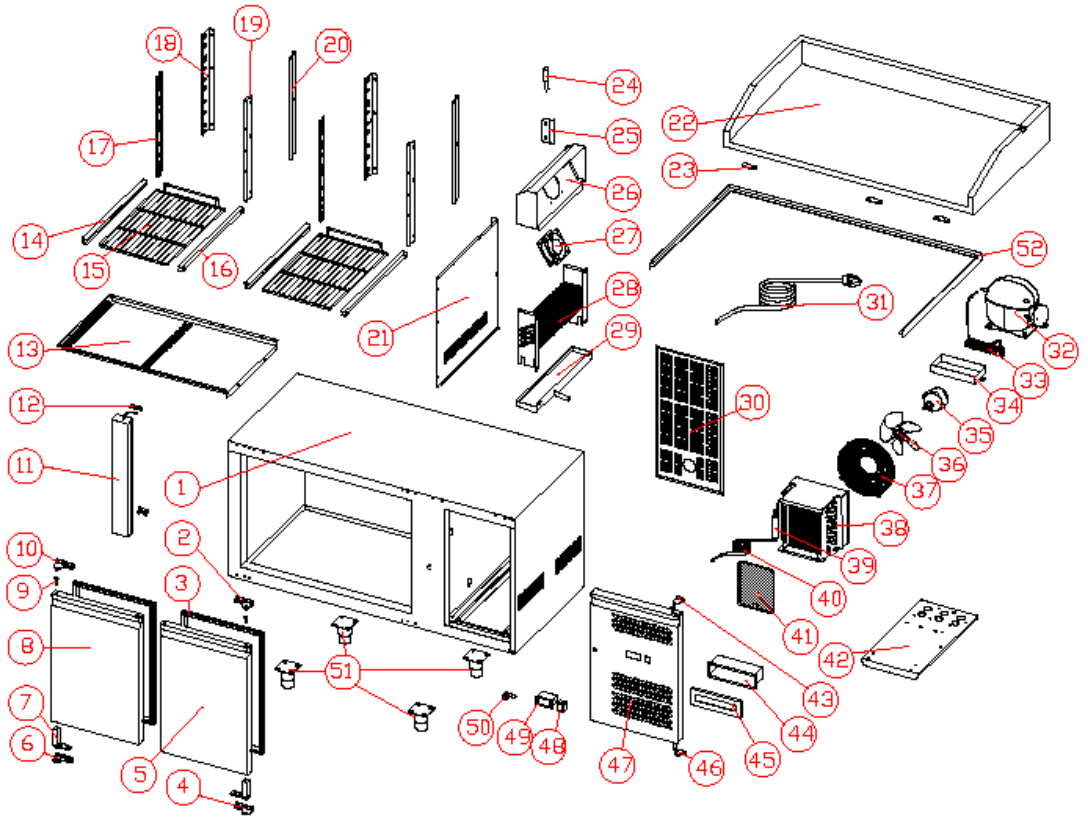
Erzatzteil information

Spare part information

Information de pièces



EXPLODED VIEW OF GX-PZ2600TN



## GX-PZ2600TN (7950.5135) EXPLODE LIST

number	list	name	quantity	number	List	name	quantity
1	GX-PZ2600TN.01	cabinet	1	31	GX-PZ2600TN.31	power cord	1
2	GX-PZ2600TN.02	right upper hinge	1	32	GX-PZ2600TN.32	compressor	1
3	GX-PZ2600TN.03	door gasket	2	33	GX-PZ2600TN.33	high pressure pipe	1
4	GX-PZ2600TN.04	right bottom hinge	1	34	GX-PZ2600TN.34	outer drain pan	1
5	GX-PZ2600TN.05	Door (right)	1	35	GX-PZ2600TN.35	cond. Fan motor	1
6	GX-PZ2600TN.06	left bottom hinge	1	36	GX-PZ2600TN.36	cond. Fan blade	1
7	GX-PZ2600TN.07	spring hinge	2	37	GX-PZ2600TN.37	cond.fan cover	1
8	GX-PZ2600TN.08	Door (left )	1	38	GX-PZ2600TN.38	condenser	1
9	GX-PZ2600TN.09	door axis sleeve	4	39	GX-PZ2600TN.39	dryer filter	1
10	GX-PZ2600TN.10	left upper hinge	1	40	GX-PZ2600TN.40	capillary	1
11	GX-PZ2600TN.11	middle beam	1	41	GX-PZ2600TN.41	dryer filter	1
12	GX-PZ2600TN.12	middle beam connect	2	42	GX-PZ2600TN.42	cooling unit board	1
13	GX-PZ2600TN.13	air guide board	1	43	GX-PZ2600TN.43	control panel upper hinge	1
14	GX-PZ2600TN.14	left shelf guide	2	44	GX-PZ2600TN.44	plastic water-proof box	1
15	GX-PZ2600TN.15	shelf	2	45	GX-PZ2600TN.45	plastic water-proof box cover	1
16	GX-PZ2600TN.16	right shelf guide	2	46	GX-PZ2600TN.46	control paner bottom hinge	1
17	GX-PZ2600TN.17	beam hang strip (left)	2	47	GX-PZ2600TN.47	panel	1
18	GX-PZ2600TN.18	rear hang strip (left)	2	48	GX-PZ2600TN.48	power switch	1
19	GX-PZ2600TN.19	beam hang strip (right)	2	49	GX-PZ2600TN.49	controller	1
20	GX-PZ2600TN.20	rear hang strip (right)	2	50	GX-PZ2600TN.50	door lock	1
21	GX-PZ2600TN.21	fan cover	1	51	GX-PZ2600TN.51	feet	4
22	GX-PZ2600TN.22	marble board	1	52	GX-PZ2600TN.52	metal frame	1
23	GX-PZ2600TN.23	top fixing plate	3				
24	GX-PZ2600TN.24	probe	1				
25	GX-PZ2600TN.25	probe cover	1				
26	GX-PZ2600TN.26	eva. Fan cover	1				
27	GX-PZ2600TN.27	eva. Fan	1				
28	GX-PZ2600TN.28	evaporator	1				
29	GX-PZ2600TN.29	evaporator drain pan	1				
30	GX-PZ2600TN.30	back cover	1				