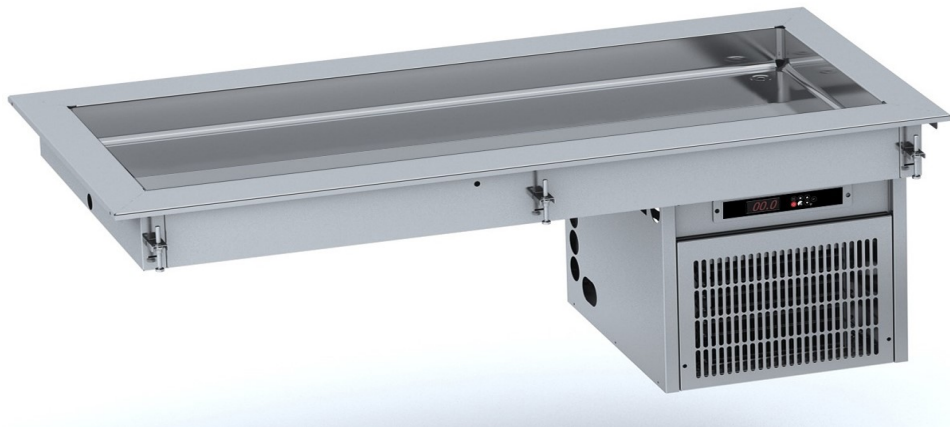


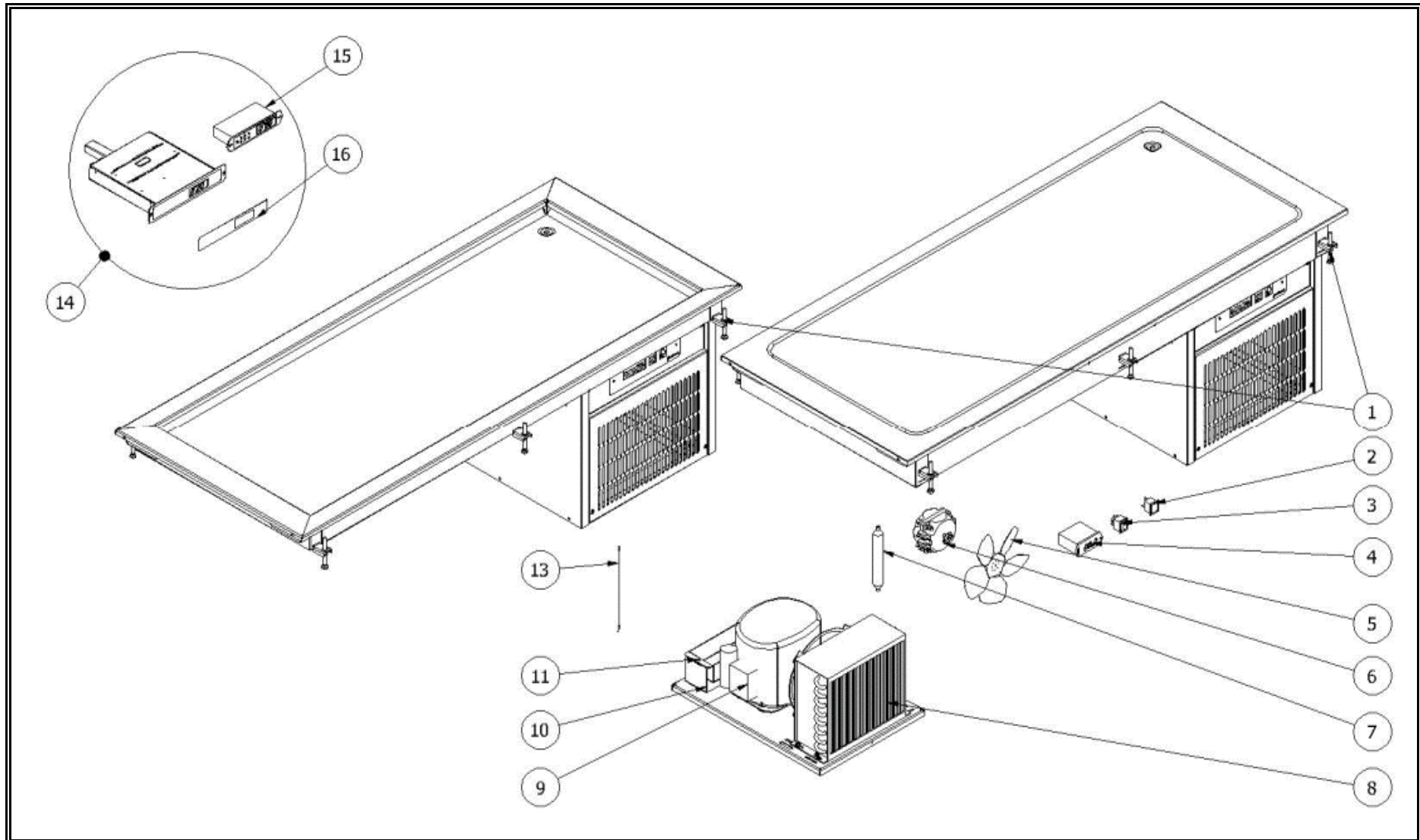


**7495.0030-35-40-45**

Onderdelen informatie  
Erzatzteil information  
Spare part information  
Information de pièces







POS:	Art.No.:	Omschrijving:	7495.0030	7495.0035	7495.0040	7495.0045
1		ANCHORAGE ASSEMBLY DROP	4	6	6	6
2		BLIND TAPE 22X30 MM TB-1	1	1	1	1
3		BIPOLAR RED SWITCH IB-4	1	1	1	1
4	CS9998.6917	THERMOSTAT CAREL PYCO1SN50P	1	1	1	1
5		ROTOR BLADE MOD.203/32	1	1	1	
5		ROTOR BLADE MOD.254/22				1
6		ROTOR 5W 220/240V-50/60HZ	1	1	1	
6A		ROTOR 5W - 220V	1	1	1	
6		ROTOR 10W 220/240V-50/60HZ				1
6A		ROTOR 10W - 220V				1
6 TR		ROTOR 5W 220/240V-50/60HZ	1	1	1	
6 TR		ROTOR 10W 220/240V-50/60HZ				1
7		DEHIDRATED FILTER DS.20 1/4X CAP	1	1	1	1
7 TR		DEHIDRATED FILTER DS.20 1/4X CAP	1	1	1	1
8		CONDENSOR 8X2 WITH BAFLE	1	1	1	
8A		CONDENSOR 8X2 NO BAFLE	1	1	1	
8		CONDENSOR 9X3 WITH BAFLE				1
8A		CONDENSOR 9X3 NO BAFLE				1
8 TR		CONDENSOR 8X3 WITH BAFLE	1	1	1	
8 TR		CONDENSOR 9X4 WITH BAFLE				1
9	CS9181.2475	COMPRESSOR EMBRACO EMT6144GK 220V 50Hz	1	1	1	
9	CS9182.0250	COMPRESSOR EMBRACO NEK6181GK 220V 50Hz				1
9*		COMPRESOR DANFOSS FR 7,5 GX 220V 60Hz		1	1	
9A*	CS9181.2275	COMPRESOR EMBRACO NEK6144GK-957GD70 208		1	1	
9*	CS9180.0310	COMPRESSOR DANFOSS TL 5G 60HZ	1			
9*		COMPRESSOR DANFOSS SC 12 GX 220V 60Hz				1

POS:	Art.No.:	Omschrijving:	7495.0030	7495.0035	7495.0040	7495.0045
9**		COMPRESOR SECOP NF7MLX (50-60 HZ)				1
9 TR		COMPRESSOR EMBRACO NEK2125GK 230V 50/60Hz	1			
9 TR	CS9181.2475	COMPRESSOR EMT6144GK		1	1	
9 TR		COMPRESSOR SECOP NF7MLX				1
10		SILICON RESISTOR 210X58 MM - 100W	1	1	1	1
11		KIT EVAPORATOR WELL + RESISTOR 100W	1	1	1	1
13	CS9181.2050	TEMPERATURE SENSOR NTC IP67 3 m -50/+50°C	2	2	2	2
14		CONTROL PANEL 3 DROP	1	1	1	1
15	CS9347.0102	THERMOSTAT POWER COMPAC PMFE1Z0053	1	1	1	1
16	CS9347.0104	STICKER 223 X 35 WITHOUT LOGO	1	1	1	1
17	CS9392.0830	POWER CABLE 3X1,5X2,5	1	1	1	1