



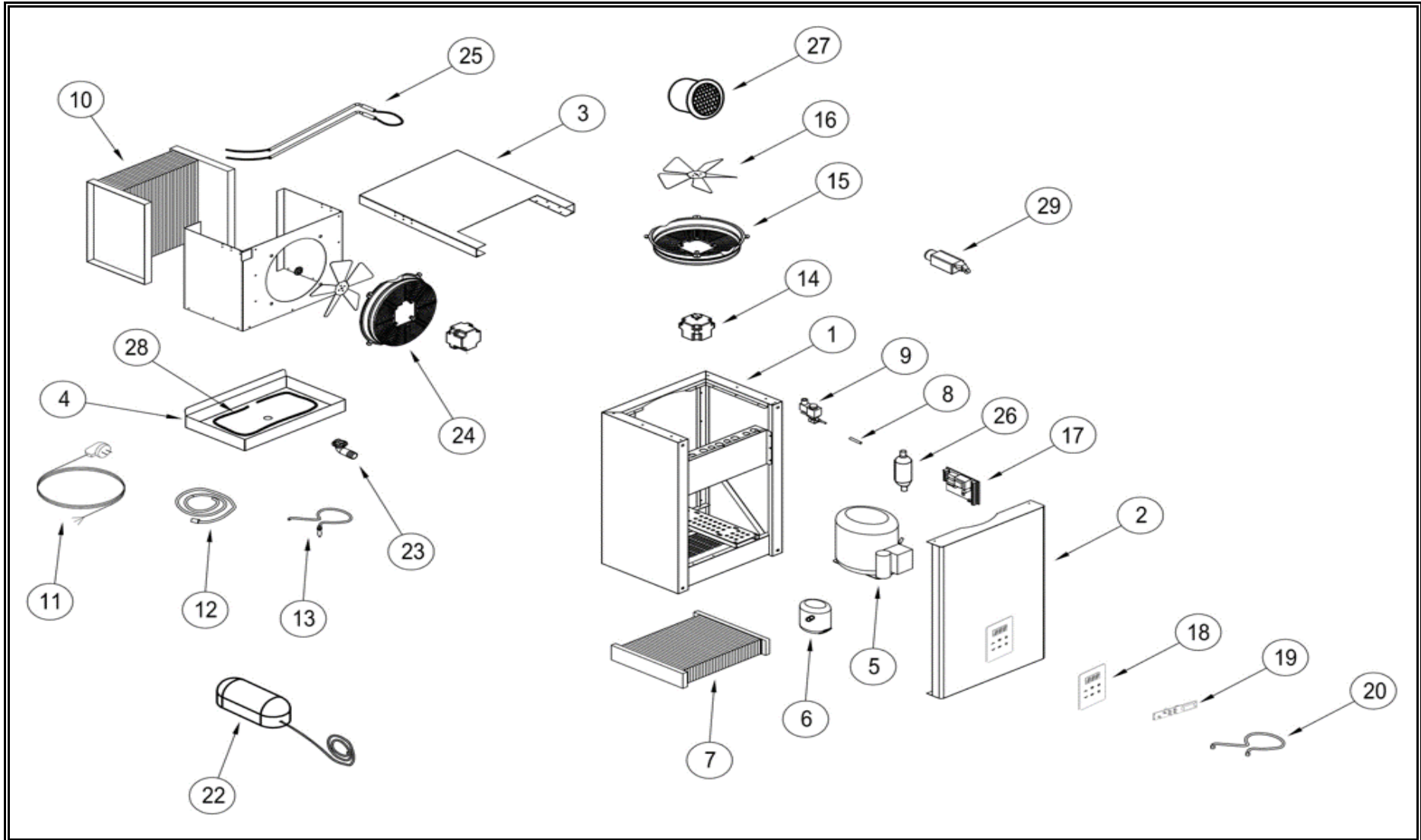
7489.0415

R452a

Onderdelen informatie
Erzatsteil information
Spare part information
Information de pièces







<i>POS:</i>	<i>Art.No.:</i>	<i>Omschrijving:</i>	<i>Aantal:</i>
1		COOLING GROUP BODY SHEET	1
2		COOLING GROUP CANOPY SHEET	1
3		COOLING GROUP EVAP SHEET	1
4		WATER BOX	1
5	CS9113.0540	NT 6222 GK - R404	1
6		LIQUID TANK	1
7		CONDENSER--(10.1m ³ -15.0m ³) 1900W	1
8	CS9180.1950	EXPENSION VALVE NEEDLE	1
9	CS9113.0725	EXPENSION VALVE	1
10		EVAP--(7.6m ³ -15.0m ³) NOR. 1450	1
11		PLUG CABLE	1
12	CS9390.2290	PROP (3mt)	1
13	CS9181.2051	PROP (1,5mt)	1
14	CS9113.0320	ELCO FAN MOTOR	2
15	CS9113.0230	FAN PLASTIC	1
16		ALUMINUM PROPELLER Ø25 CM	2
17	CS9113.0155	MOTHERBOARD	1
18		WATERPROOF DIGITAL DISPLAY	1
19		WATERPROOF DIGITAL FRONT PANEL	1
20	CS9113.1015	WATER EVAPORATION RESISTOR	1
21	CS9390.2560	DISPLAY CONNECTION CABLE	1
22	CS9113.2320	LED LAMP	1
23		EVAP OUT ELBOW	1
24		COLD ROOM FAN PLASTIC	1
25		200W--RESISTANCE	2
26		DRAYER 3/8" (GMC)	1
27		PRESSURE VALVE	1
28	CS9113.0995	DOOR RESISTANCE 7mt	1
29	CS9113.0685	DOOR SWITCH	1