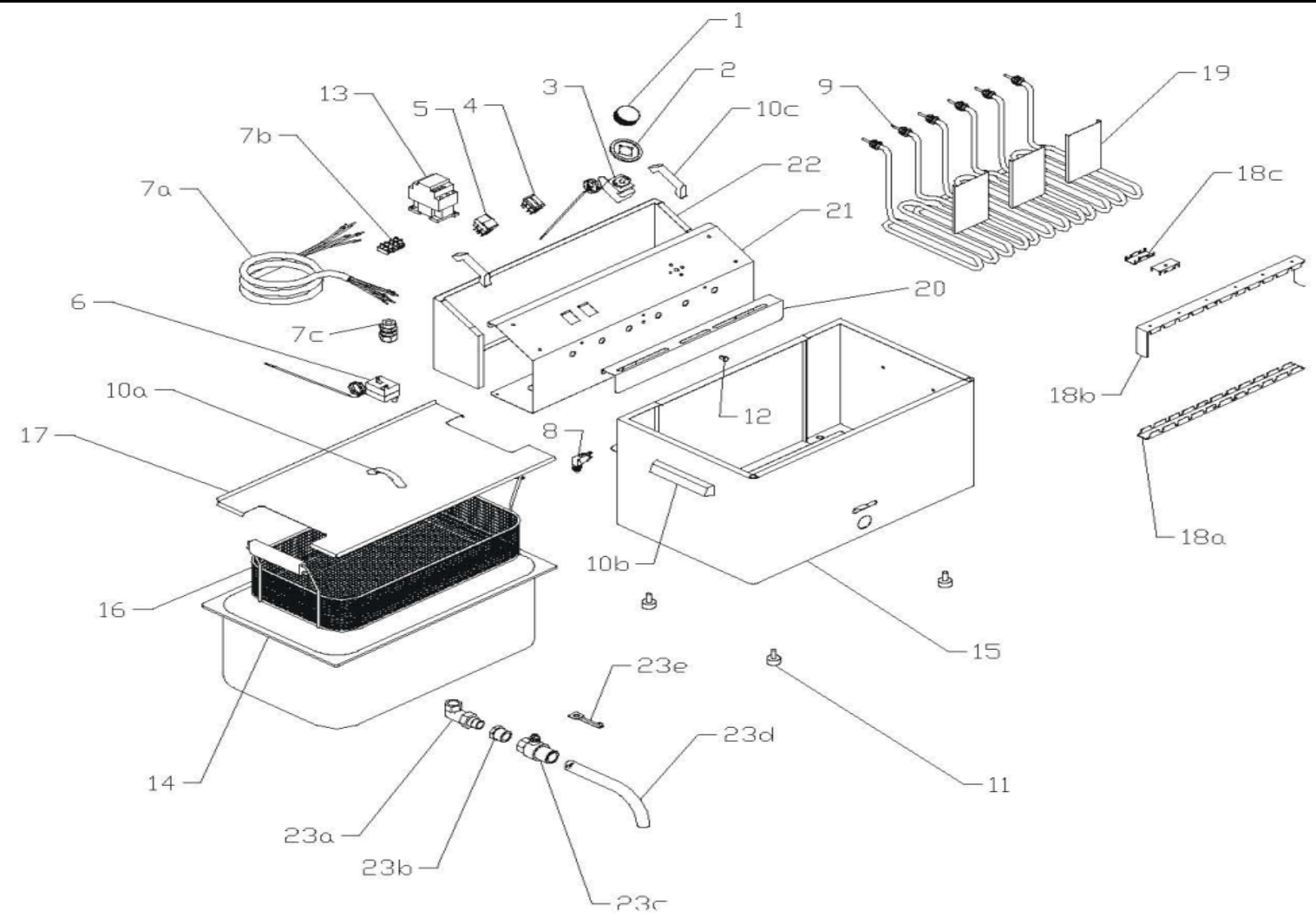




7471.1000

Onderdelen informatie
Erzatzteil information
Spare part information
Information de pièces





| POS: | Art.No.: | Omschrijving: | Aantal: |
|------|-----------|---------------|---------|
| 1 | 9995.5282 | KNOP | |
| 2 | 9481.0290 | ROZET | |
| 3 | 9691.0090 | THERMOSTAAT | |
| 4 | 9998.6656 | LAMP | |
| 5 | 9993.0011 | SCHAKELAAR | |
| 6 | 9998.0362 | THERMOSTAAT | |
| 7A | | | |
| 7B | | | |
| 7C | | | |
| 8 | | | |
| 9 | 9993.1054 | ELEMENT | |
| 10A | 9000.0035 | GREEP | |
| 10B | | | |
| 10C | | | |
| 11 | | | |
| 12 | 9105.3980 | RELAIS | |
| 13 | | | |
| 14 | | | |
| 15 | 9989.0117 | MAND | |
| 16 | | | |
| 17 | | | |
| 18A | | | |
| 18B | | | |
| 18C1 | | | |
| 18C2 | | | |
| 19 | | | |
| 20 | | | |
| 21 | | | |
| 22 | | | |
| 23A | 9998.4535 | KRAAN | |
| 23B | 9000.0122 | AFTAPPIJP | |
| 23C | | | |
| 23D | | | |
| 23E1 | | | |
| 23E2 | | | |