



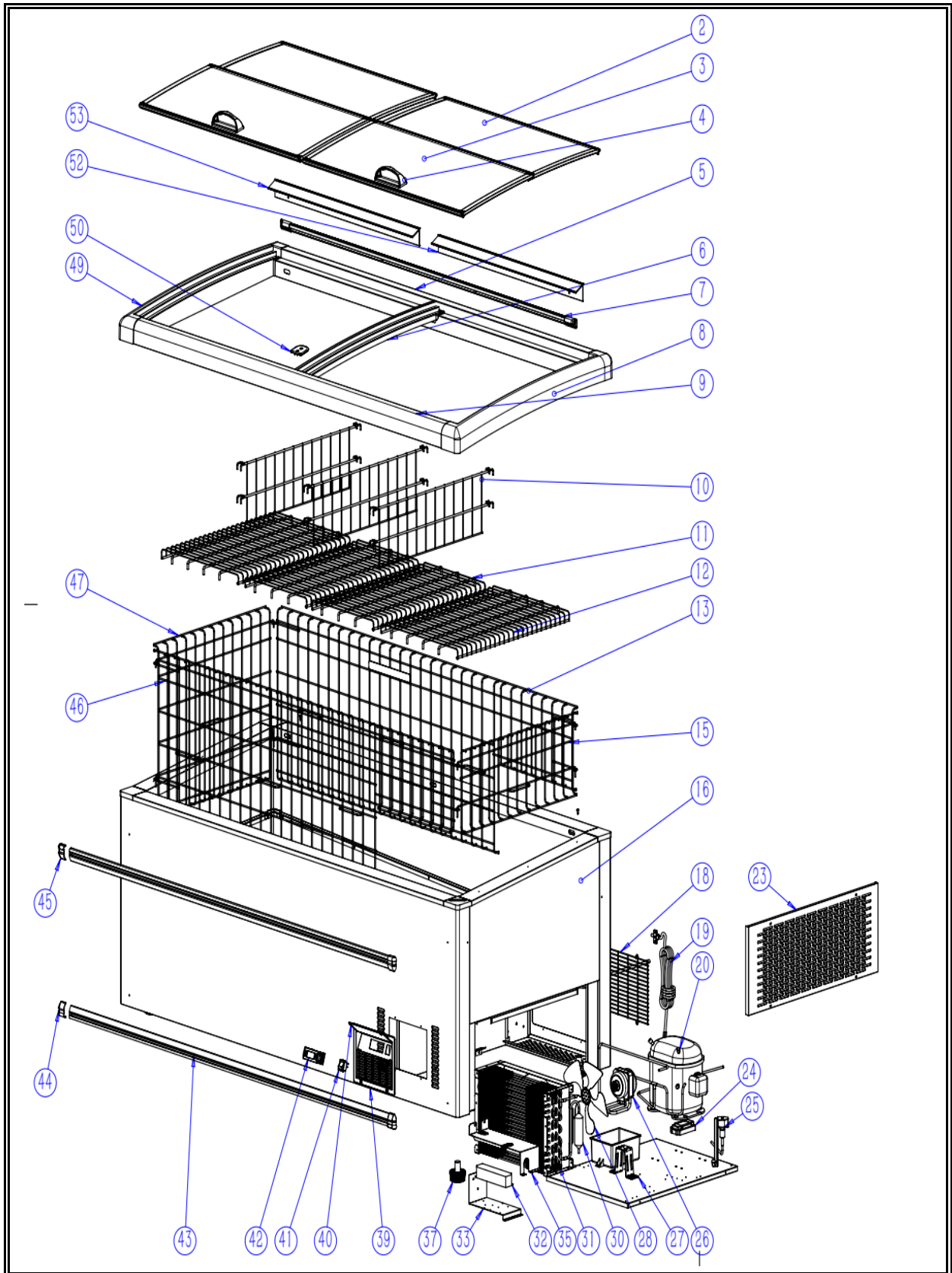
**7455.2530**

**R290**

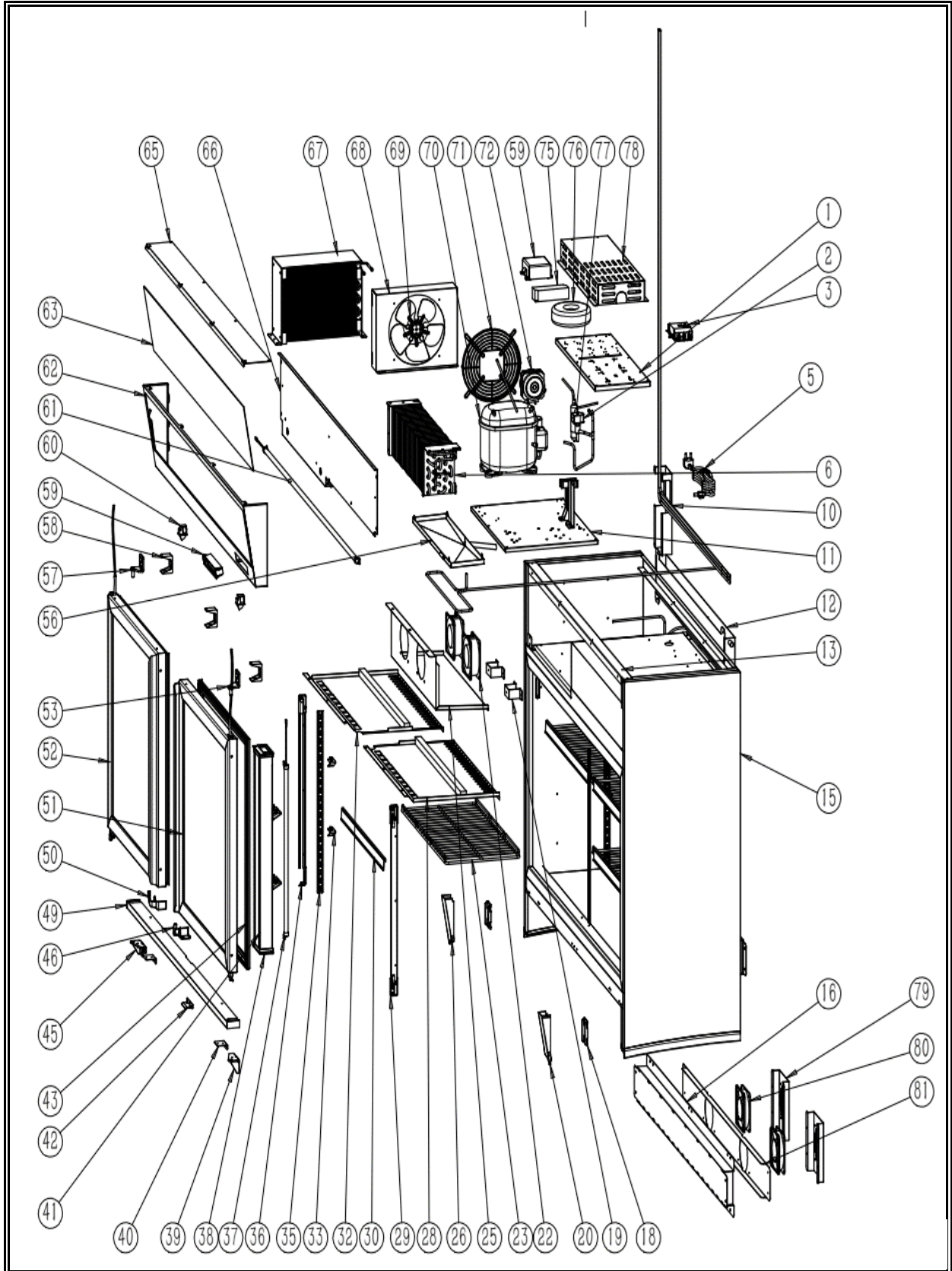
Onderdelen informatie  
Erzatzteil information  
Spare part information  
Information de pièces







| POS: | Art.No.:    | Omschrijving:                 | Aantal: |
|------|-------------|-------------------------------|---------|
| 2    |             | Rear glass door               | 2       |
| 3    |             | Front glass door              | 2       |
| 4    |             | Glass door handle             | 1       |
| 5    |             | Back frame                    | 1       |
| 6    |             | Mullion                       | 1       |
| 7    |             | Right LED light accessories   | 1       |
| 8    |             | Right frame                   | 1       |
| 9    |             | Front frame                   | 1       |
| 10   | CS7455.2540 | Separate bar                  | 2       |
| 11   |             | Bottom net A                  | 1       |
| 12   |             | Bottom net                    | 2       |
| 13   |             | Rear side net                 | 1       |
| 14   |             | Front side net                | 1       |
| 15   |             | Right side net                | 1       |
| 16   |             | Indulated body                | 1       |
| 18   |             | Back mesh                     | 1       |
| 19   |             | Power cable                   | 1       |
| 20   | CS9390.2325 | Compressor                    | 1       |
| 23   |             | Side panel of compressor unit | 1       |
| 24   |             | Electronic box                | 1       |
| 25   | CS9338.2460 | Solenoid valve                | 1       |
| 26   | CS9390.0130 | Fan motor                     | 1       |
| 27   |             | Condenser fan motor bracket   | 1       |
| 28   | CS9338.1855 | Condenser fan blade           | 1       |
| 30   |             | Dry filter                    | 1       |
| 31   |             | Condenser                     | 1       |
| 32   |             | LED light driver              | 1       |
| 33   |             | Fixed parts                   | 1       |
| 35   |             | Electronic box cover          | 1       |
| 37   |             | Adjustable feet               | 4       |
| 39   |             | Thermostat panel              | 1       |
| 40   |             | Thermostat panel cover        | 1       |
| 41   | CS9030.0510 | Light switch                  | 1       |
| 42   | CS9338.2754 | Digital controller            | 1       |
| 43   |             | Bumper strip B                | 2       |
| 44   |             | Bumper strip right cover      | 2       |
| 45   |             | Bumper strip left cover       | 2       |
| 47   |             | Left side net                 | 1       |
| 49   |             | Left frame                    | 1       |
| 50   |             | Positioning cover             | 1       |
| 52   |             | Left PVC price strip          | 1       |
| 53   |             | Right PVC price strip         | 1       |



| POS: | Art.No.:    | Omschrijving:                                     | Aantal: |
|------|-------------|---|---------|
| 1    |             | Electrical fixer                                  | 1       |
| 2    |             | Solenoid valve                                    | 1       |
| 3    |             | Junction box components                           | 1       |
| 5    |             | Plug  | 1       |
| 6    |             | Evaporator  | 1       |
| 10   |             | Sub-condenser cover                               | 1       |
| 11   |             | Refrigeration bottom plate                        | 1       |
| 12   |             | Back-mounted evaporative plate assembly           | 1       |
| 13   |             | Front connection bar                              | 2       |
| 15   |             | Cabinet   | 1       |
| 16   |             | Rear support assembly - spray (double white)      | 1       |
| 18   |             | Decorative cover buckle                           | 2       |
| 19   |             | Evaporation cover holder (white)                  | 2       |
| 20   |             | Lower foot trim cover right (grey)                | 1       |
| 22   | CS9163.2815 | Quad Fan  | 2       |
| 23   |             | Shelf   | 4       |
| 25   |             | Evaporation fan panel - spray (double white)      | 1       |
| 26   |             | Lower foot trim cover left (grey)                 | 1       |
| 28   |             | Top wind guide plate right - spray (double white) | 1       |
| 29   |             | P-type LED light left component (transparent)     | 1       |
| 30   |             | Price tag   | 4       |
| 32   |             | Top wind guide left-spray (double white)          | 1       |
| 33   | CS7455.2225 | K clip  | 19      |
| 35   |             | K strip   | 8       |
| 36   |             | P-type LED light right assembly (transparent)     | 1       |
| 37   | CS9338.2758 | T5 round tube LED light (milk white)              | 1       |
| 38   |             | Middle beam end (white)                           | 2       |
| 39   |             | Right bottom hinge                                | 1       |
| 40   |             | Lower door fixing block                           | 3       |
| 41   |             | Mullion   | 1       |
| 42   |             | Door supporter                                    | 1       |
| 43   | CS9338.2772 | Door sealer                                       | 2       |
| 45   |             | Left bottom hinge                                 | 1       |
| 46   |             | Door corner right (grey)                          | 1       |
| 49   |             | Front grill                                       | 1       |
| 50   |             | Door guard angle left (grey)                      | 1       |
| 51   |             | Right door  | 1       |
| 52   |             | Left door   | 1       |
| 53   | CS9338.2314 | Right top hinge                                   | 1       |
| 56   |             | Evaporative water tray assembly                   | 1       |
| 57   | CS9338.2310 | Left top hinge                                    | 1       |
| 58   |             | Door fixing block                                 | 3       |
| 59   |             | Digital controller                                | 1       |

| POS: | Art.No.:    | Omschrijving:  | Aantal: |
|------|-------------|--|---------|
| 60   | CS9338.2764 | Fan switch   | 2       |
| 61   | CS9338.2262 | T5 round tube LED light (milk white)                   | 1       |
| 62   |             | Lightbox Welding Components - Spray (Double Grey 429C) | 1       |
| 63   |             | Perspex cover  | 1       |
| 65   |             | Light box cover - spray (double white)                 | 1       |
| 66   |             | Lightbox back plate (pre-white)                        | 1       |
| 67   |             | Condenser  | 1       |
| 68   |             | Condenser fan cover                                    | 1       |
| 69   | CS9338.1885 | Fan blade  | 1       |
| 70   | CS9390.2325 | Compressor   | 1       |
| 71   |             | Fan mesh (black)                                       | 1       |
| 72   | CS9390.1425 | Condenser fan motor                                    | 1       |
| 75   |             | LED driver   | 1       |
| 76   |             | Transformer  | 1       |
| 77   |             | Dry filter   | 1       |
| 78   |             | Electrical shield                                      | 1       |
| 79   |             | Quad fan cover   | 2       |
| 80   |             | Quad fan   | 2       |
| 81   |             | Fan cover  | 1       |