



**7455.0450 - 7455.0460**

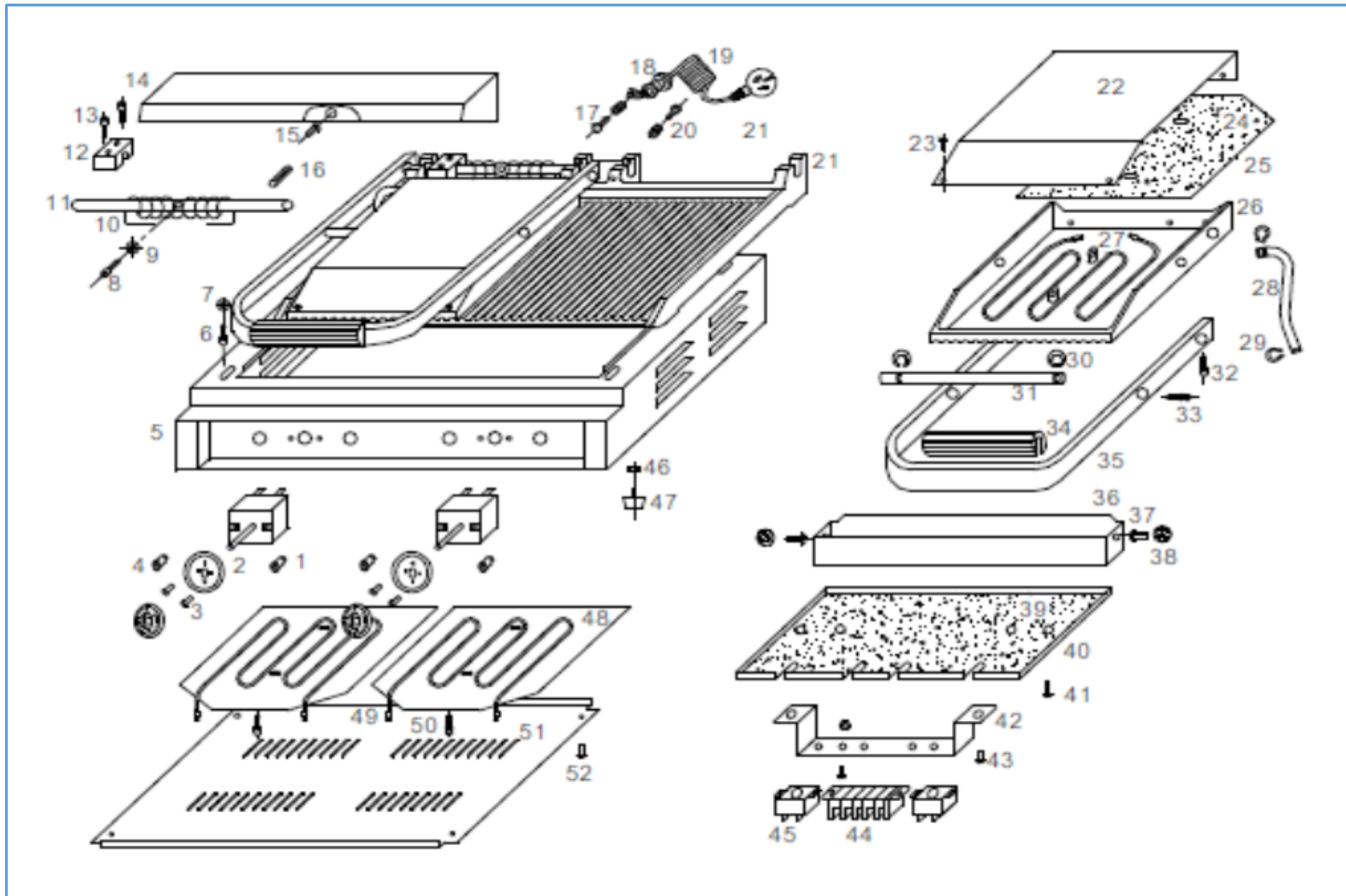
Onderdelen informatie

Erzatzteil information

Spare part information

Information de pièces







## Onderdelenlijst 7455.0450 - 7455.0460

POS:	Art.No.:	Omschrijving:	Aantal:
1	9344.0000	HEATING INDICATOR	1
2	9344.0005	TEMPERATURE CONTROLLER	1
3		CROSS-HEADED SCREW M4x6	1
4	9393.2252	POWER SWITCH	1
5		BOTTOM HULL	1
6		INTERNAL HEXAGON SCREW M6x10	1
7		FLAT SPACER	1
8	9895.0495	INTERNAL HEXAGON SCREW M5x25	1
9		FLAT SPACER	1
10	9344.0015	WISTING SPRING	1
11	9344.0080	REAR ROTARY AXLE	1
12		FASTONTING STAND	1
13		INTERNAL HEXAGON SCREW M6x40	1
14		BACK UPPER COVERING BOARD	1
15		SCROSS-HEADED SCREW M4x8	1
16	9344.0460	SPRING PIN	1
17		EQUIPOTENTIAL GROUND SCREW M6x15	1
18	9344.0030	POWER SUPPLY WIRE JACKET	1
19	9344.0035	POWER CORD	1
20		POWER GROUND SCREW M5x15	1
21		GRILL OF LOWER MODULE	1
22		UPPER MODULE BOARD	1
23		CROSS-HEADED SCREW M4x8	1
24		HEAT-INSULATED COTTON OF UPPER MODULE	1
25		PLATEN OF UPPER ELECTRIC HEATING TUBE	1
26		GRILL OF UPPER MODULE	1
27	9344.0040	ELECTRIC HEATING TUBE OF UPPER MODULE	1
28		INCOMING LINE TUBE	1
29		SPRING CHECK RING FOR AXLE	1
30		SPRING CHECK RING FOR TUBE	1
31	9344.0050	AXLE OF UPPER MODULE	1
32		INTERNAL HEXAGON SCREW M5x16	1
33		INTERNAL HEXAGON SCREW M6x8	1
34	9344.0055	HANDLE	1
35	9344.0052	FRAME OF OPERATION HANDLE (Pos 32+33+34+35)	1
36	9344.0320	OIL TRAY	1
37		HALF OF CHEESE HEAD SCREW M6x12	1
38		SMALL BALL	1
39		HEAT-INSULATED COTTON OF LOWER MODULE	1
40		PRESSURE PLATE FOR COTTON	1
41		CROSS-HEADED SCREW M4x20	1
42	9344.0060	AMPHENOL CONNECTOR PLATE	1
43		CROSS-HEADED SCREW M4x8	1
44	9344.0060	CERMIC CONNECTORS	1
45	9344.0065	TEMPERATURE LIMITER	1
46		HEXAGON SCREW M6x20	1
47	9344.0070	RUBBER FOOT	1

## Onderdelenlijst 7455.0450 - 7455.0460

POS:	Art.No.:	Omschrijving:	Aantal:
48		PRESSURE PLATE FOR ELECTRIC HEATING TUBE OF LOWER MODULE	1
49	9344.0075	ELECTRIC HEATING TUBE OF LOWER MODULE	1
50		INTERNAL HEXAGON SCREW M6×8	1
51		BOTTOM BOARD	1
52		CROSS-HEDED SCREW M4×8	1
2A	9341.0345	KNOB TEMPERATURE CONTROLLER	1