



**7455.0300**

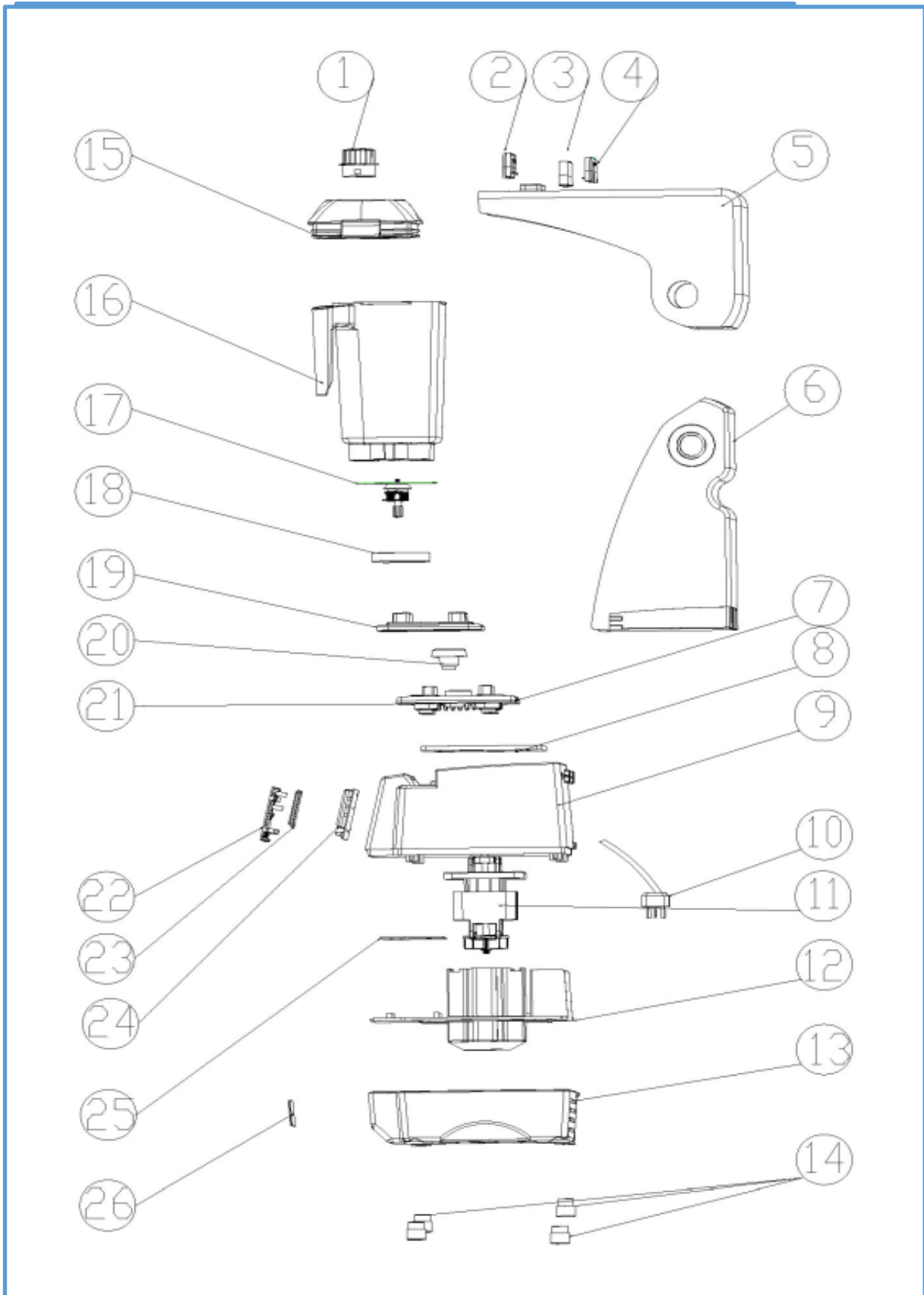
Onderdelen informatie

Erzatzteil information

Spare part information

Information de pièces





## Onderdelenlijst 7455.0300

| POS: | Art.No.:  | Omschrijving:                 | Aantal: |
|------|-----------|-------------------------------|---------|
| 1    |           | Small Cap                     | 1       |
| 2    |           | B Hand Cover                  | 1       |
| 3    |           | O Hand Cover                  | 1       |
| 4    |           | T Hand Cover                  | 1       |
| 5    | 9339.0732 | NF Cover                      | 1       |
| 6    | 9339,0732 | NB Cover                      | 1       |
| 7    |           | Motor Flame                   | 1       |
| 8    |           | Motor Cushion                 | 1       |
| 9    |           | Top Board                     | 1       |
| 10   |           | Wire                          | 1       |
| 11   | 9339.0714 | Motor                         | 1       |
| 12   |           | Motor Cover                   | 1       |
| 13   |           | Low Board                     | 1       |
| 14   |           | Foot                          | 1       |
| 15   |           | Cup Cap                       | 1       |
| 16   | 9339.0712 | Cup (bevat No: 1+15+16+17+18) | 1       |
| 17   | 9339.0724 | Blade ASM                     | 1       |
| 18   | 9339.0736 | Cup Base                      | 1       |
| 19   |           | Cup Pad                       | 1       |
| 20   | 9339.0708 | Clutch                        | 1       |
| 21   |           | Motor Flame                   | 1       |
| 22   |           | Bracket                       | 1       |
| 23   |           | Screan Cover                  | 1       |
| 24   | 9338.0716 | Controle PCB                  | 1       |
| 25   |           | Power PCB                     | 1       |
| 26   |           | KPS Marking                   | 1       |
| A    | 9339.0734 | Screw Cover                   | 1       |
| 17A  | 9339.0726 | Metal Drive Socket            | 1       |
| 17B  | 9339.0728 | Metal Drive Socket            | 1       |
| B    | 9339.0718 | Print Display                 | 1       |
| 16A  | 9339.0730 | Cup (bevat No: 15+16)         | 1       |