



SL 350 R290

LIST OF THE EXPLODED VIEWS



SHELL ASSY SL 350 R290

SHELL ASSY SL 350 R290 Drain Pump

COOLING SYSTEM

HYDRAULIC CIRCUIT SL 350 R290 HC

HYDRAULIC CIRCUIT SL 350 R290 Drain Pump

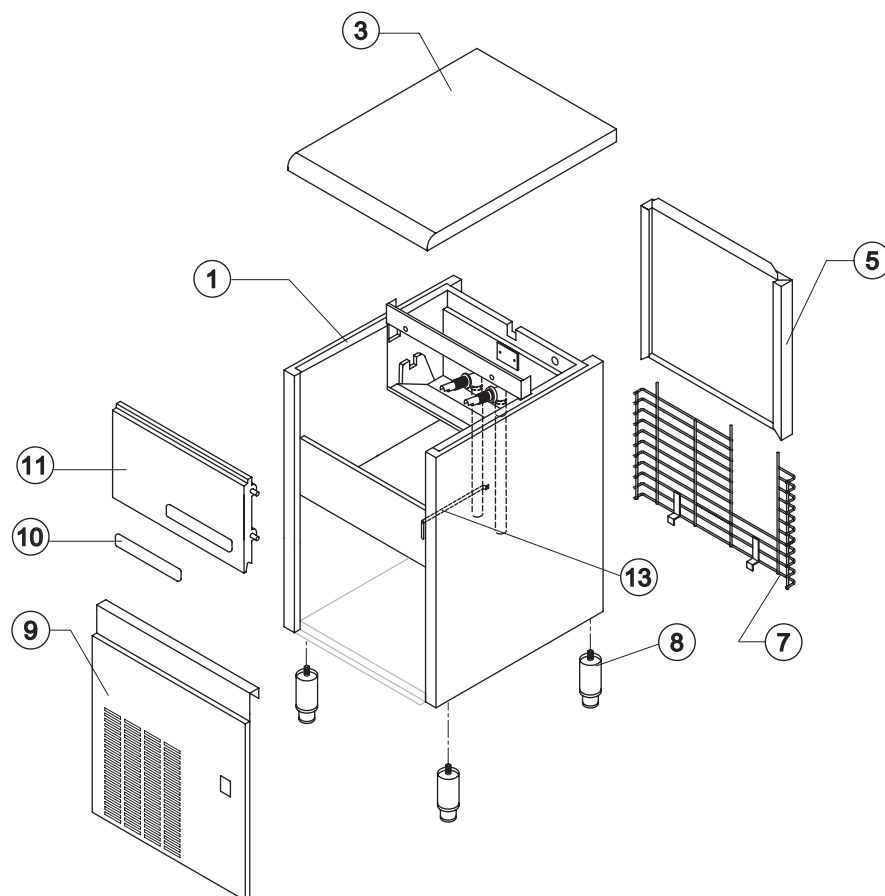
ELECTRIC PARTS



SL 350 R290

SHELL ASSY

SL 350 R290



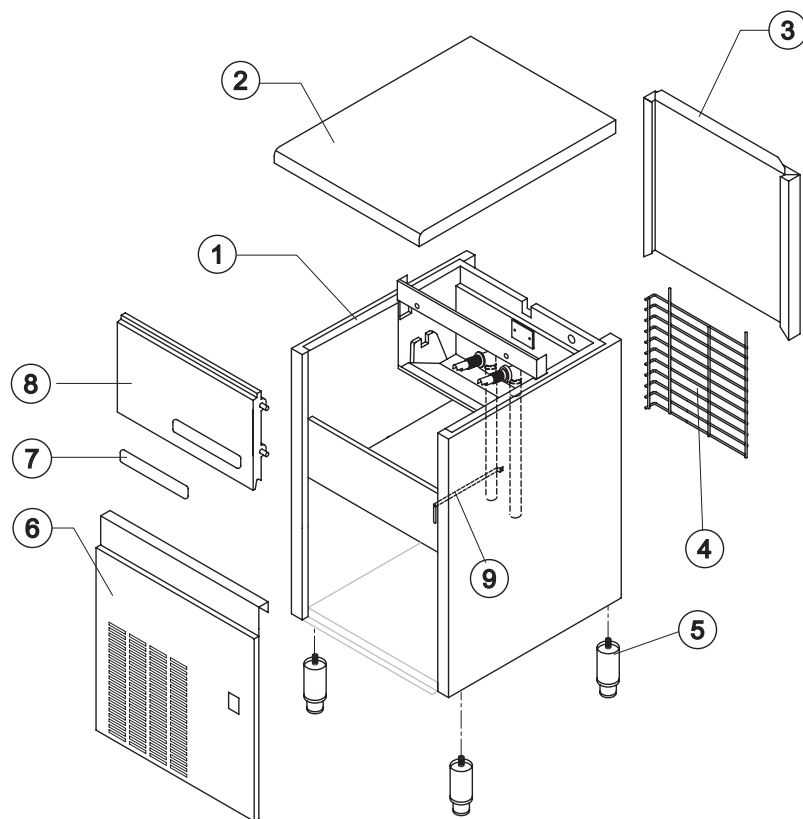
Ref.	Spare Description	Code
1	Foamed Cabinet Assy	C11086A
3	Top Assembly	C22549
5	Rear Panel Assembly	C21209
7	Rear Grid	D12021
8	Adjustable Stainless Steel Foot	20613
9	Front Grid Panel	22710
10	Resinate Logo	241330
11	Door Assy	C10362
13	Bulbe-holder Pipe	20521



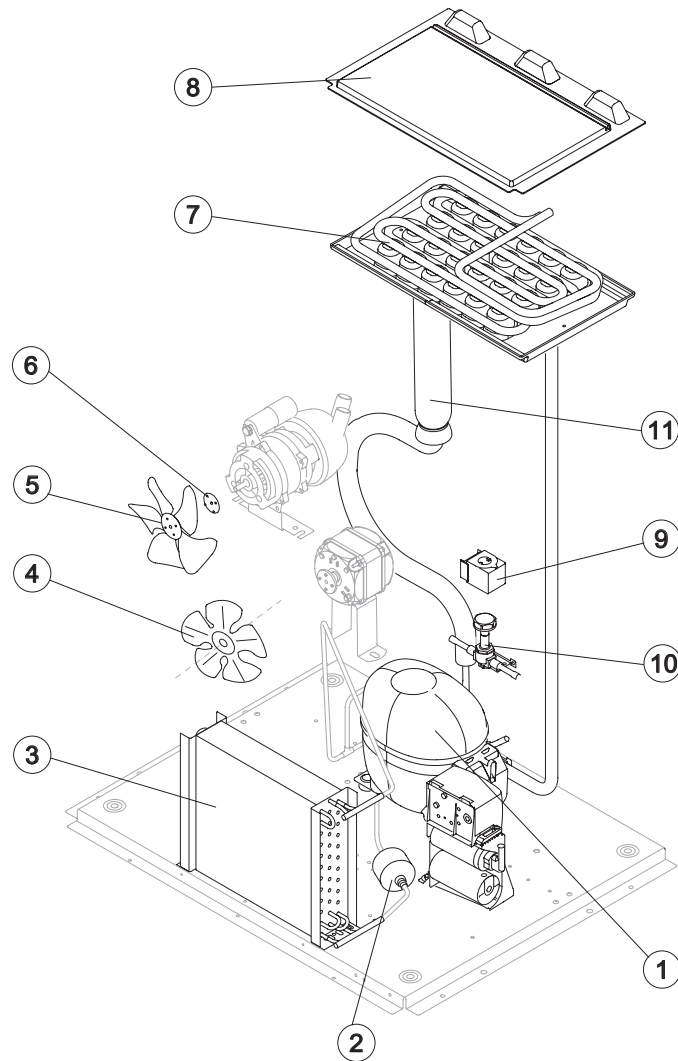
SL 350 R290

SHELL ASSY

SL 350 R290 DP



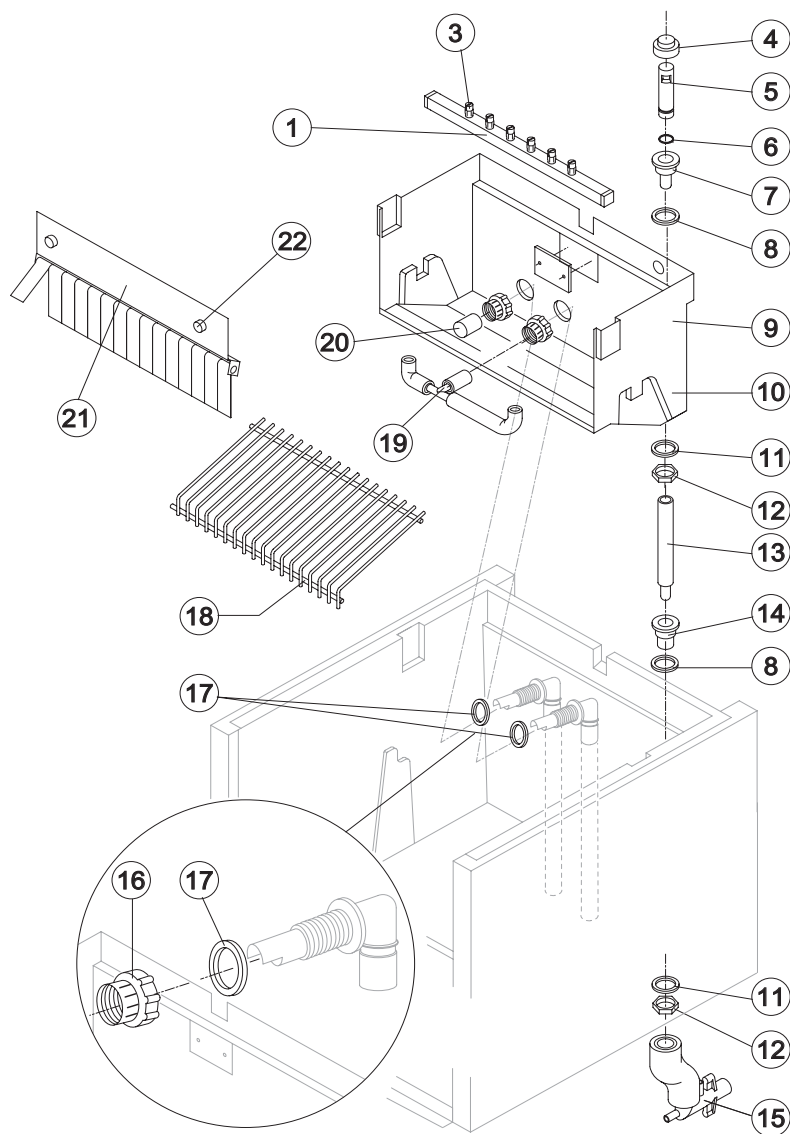
<i>Ref.</i>	<i>Spare Description</i>	<i>Code</i>
1	Foamed Cabinet Assy	C11086DP
2	Top Assembly	C22549
3	Rear Panel Assembly	C21209
4	Rear Grid	D12103
5	Adjustable Stainless Steel Foot	20613
6	Front Grid Panel	22710
7	Resinate Logo	241330
8	Door Assy	C10362
9	Bulbe-holder Pipe	20521



Ref.	Spare Description	Code
1	Compressor	231295
2*	Liquid line drier	141003
3	Air Condenser	201224
4	Sucking Fan	20407
5	Sucking Fan	10213
6	Hub for the Fan Fixing	10014
7	Evaporator	See Table
8	Evaporator Cover Panel	10450
9*	Hot Gas Valve Body	231294
10*	Hot Gas Valve Coil	201162
11	Suctin Line	for the spare parts code give us the s/n.

Ref. 7 - Evaporator

Kind of Cube	Code
18 g. (Standard)	D10214
33 g.	D10092
13 g.	D10126
42 g.	D10477
60 g.	D10555



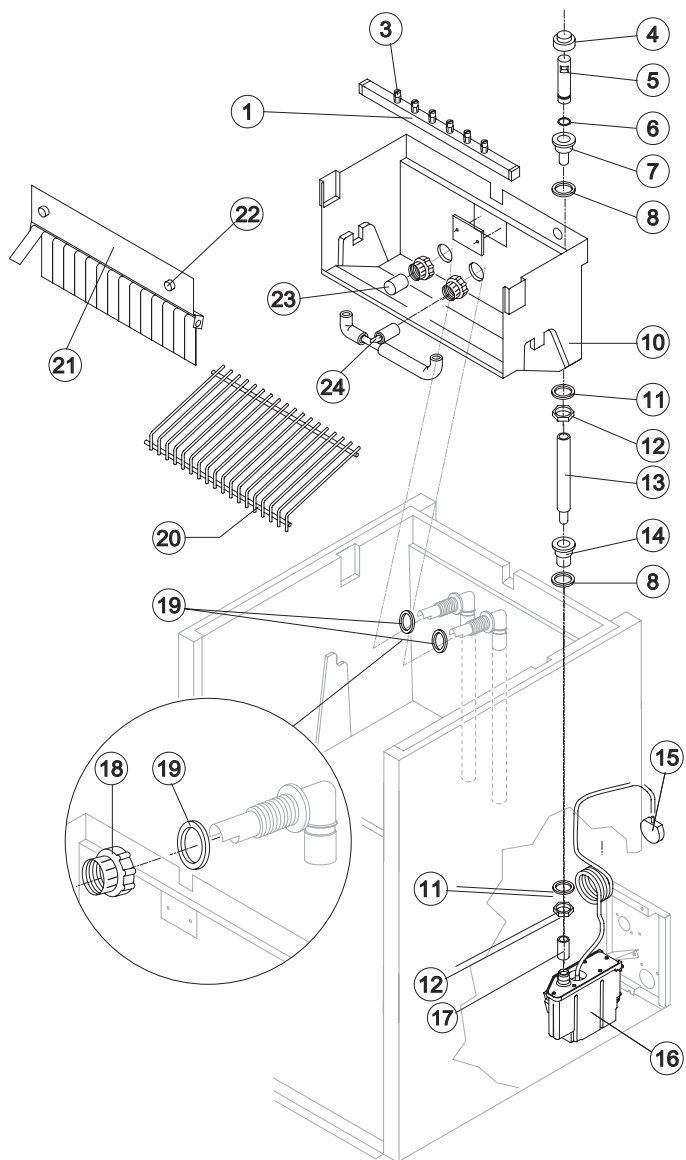
Ref.	Spare Description	Code
1*	Sprayers Bar Assembly	See Table
2	Sprayer Bar Plug	10012
3	Sprayer	D20002
4*	Overflow Cap	10305
5*	Overflow Pipe	10133
6*	OR Gasket for Overflow Pipe	20233
7	Overflow pipe nipple	10471
8	Silicone Gasket	13219
9	Slide keep plate	10009
10	Inner Basin	10759
11	Semirigid Polyethylene Gasket	13007
12	Bin Discharge Nut	10096
13*	Overflow Pipe	13155
14	Water Outlet Nipple	10472
15	Discharges Manifold	C10006
16	Fittings Locking Ring	10405
17	Gasket for Pump Suction/Delivery Pipes	13220
18	Ice Cubes Slide	See Table
19	Sprayers Feeding Pipe Assembly	C13036
20*	Pump Suction Filter	20005
21	Flags Support Assembly	C22134
22	Fixing screw	20009

Ref. 1* - Sprayers Bar Assy

Kind of Cube	Code
18 g. (Standard)	C20144
33 g.	C20157
13 g.	C20200
42 g.	C20157
60 g.	C20941

Ref. 18 - Ice Cubes Slide

Kind of Cube	Code
18 g. (Standard)	D12022
33 g.	D12033
13 g.	D12040
42 g.	D12033
60 g.	D12084



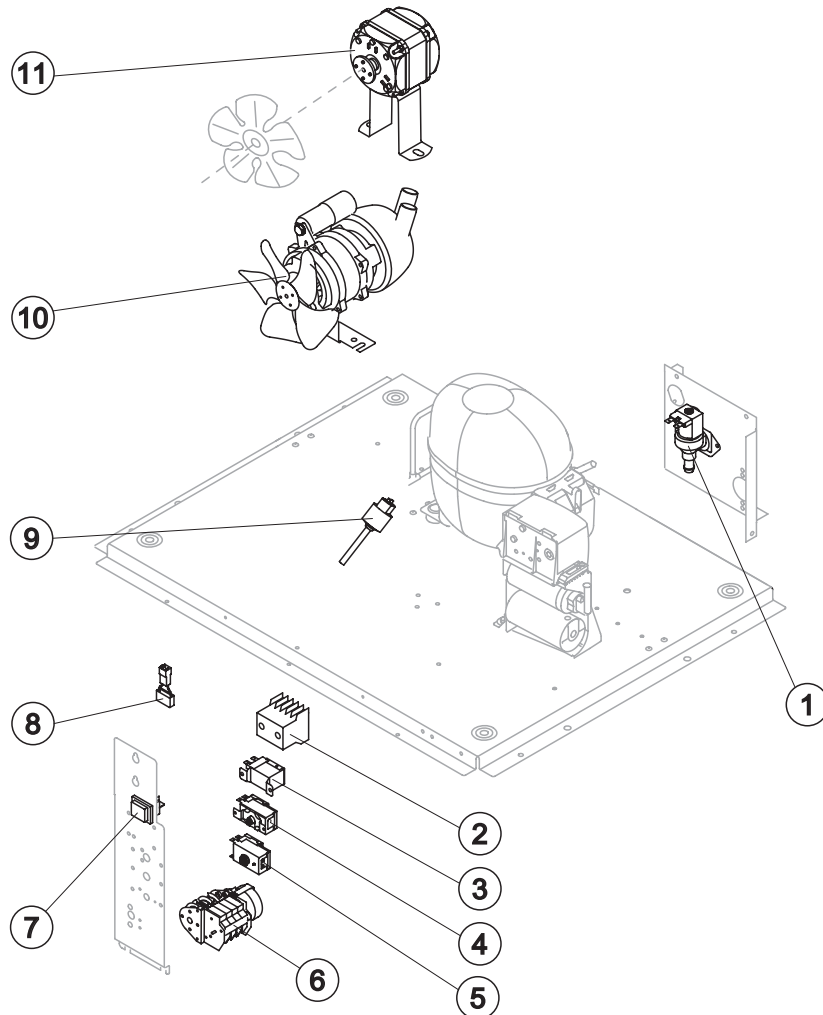
Ref.	Spare Description	Code
1*	Sprayers Bar Assembly	See Table
3	Sprayer	D20002
4*	Overflow Cap	10305
5*	Overflow Pipe	10133
6*	OR Gasket for Overflow Pipe	20233
7	Overflow pipe nipple	10471
8	Silicone Gasket	13219
10	Inner Basin	10759
11	Semirigid Polyethylene Gasket	13007
12	Bin Discharge Nut	10096
13*	Overflow Pipe	13155
14	Water Outlet Nipple	10472
15	Drain Pump Pressure Switch	C231230
16	Drain Pump	RC231225
17	Bin Discharge-Drain Pump Connection	C13175200
18	Fittings Locking Ring	10405
19	Gasket for Pump Suction/Delivery Pipes	13220
20	Ice Cubes Slide	See Table
21	Fixing screw	20009
22	Flags Support Assembly	C22134
23*	Pump Suction Filter	20005
24	Sprayers Feeding Pipe Assembly	C13036

Ref. 1* - Sprayers Bar Assy

Kind of cube	Code
18 g. (Standard)	C20144
13 g.	C20200

Ref. 20 - Ice Cubes Slide

Kind of cube	Code
18 g. (Standard)	D12022
13 g.	D12040



Ref.	Spare Description	Code
1*	1 Way- Water Inlet Valve	See Table
2*	Contactor	23594
3*	Fan cycle switch	231123
4*	Bin Thermostat	R23005
5*	Evaporator Thermostat	R23591
6*	Timer	See Table
7*	Green Light Switch (On-Off)	23327
8	Anti Radio Interference Filter	C23459
9	Safety Pressure Switch	231142
10*	Pump Assy	RC23462
11*	Fan Motor	23121

Ref. 1* - 1 Way - Water Inlet valve

Voltage	18g/13g Cube	33g/42g/60g Cube
220-240V ~ 50Hz	23001	23220

Ref. 6* - Timer

Voltage	18g Cube	33g Cube	13g Cube	42g Cube	60g Cube
220-240V ~ 50Hz	23222	23248	23247	23780	23922