

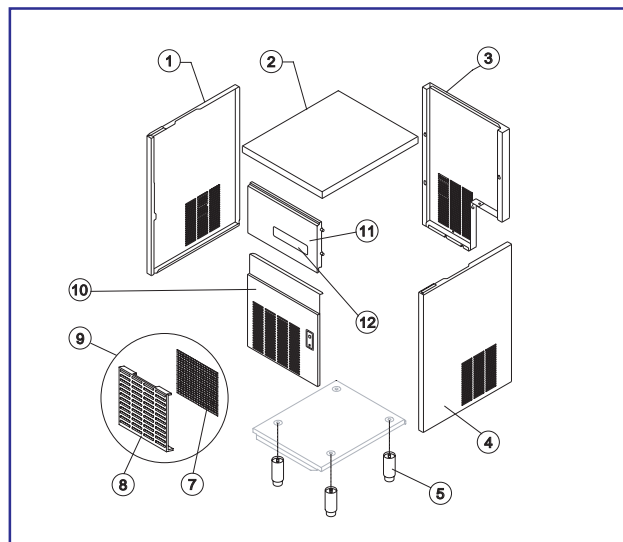
SL 90 R290 R - 2020

LIST OF THE EXPLODED VIEWS

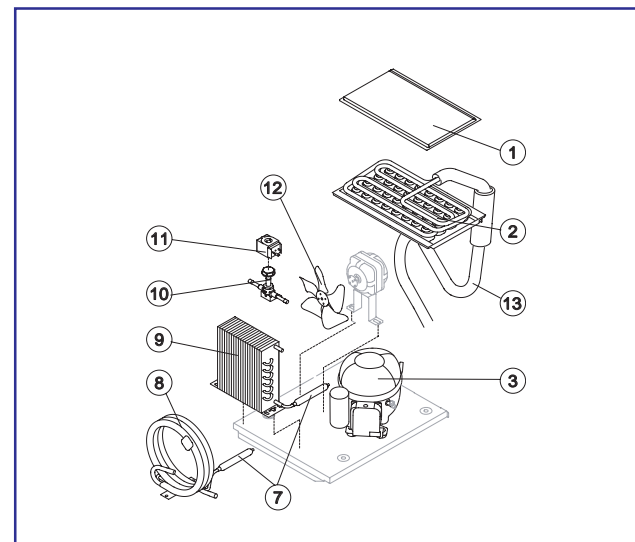
Rev. 1 - 11/01/2021



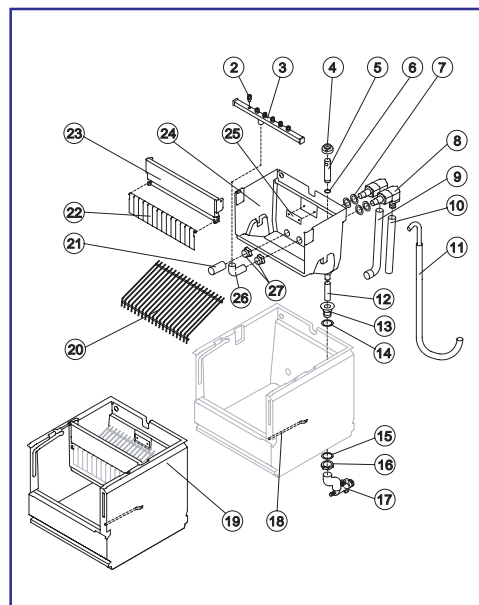
SHELL ASSY



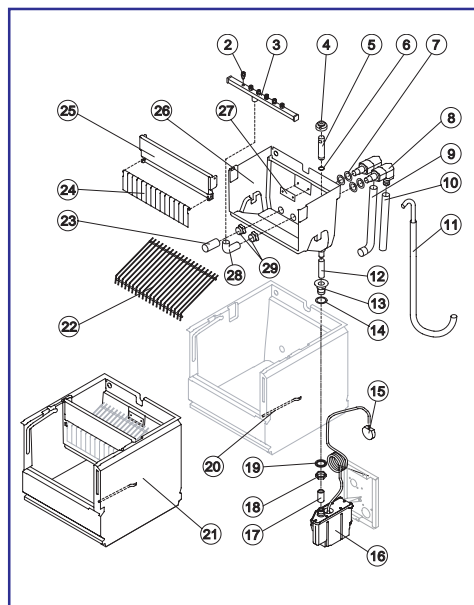
COOLING SYSTEM



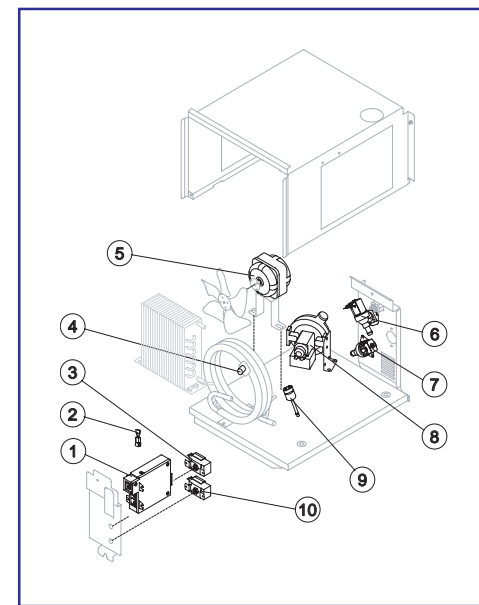
HYDRAULIC CIRCUIT SL90A/W



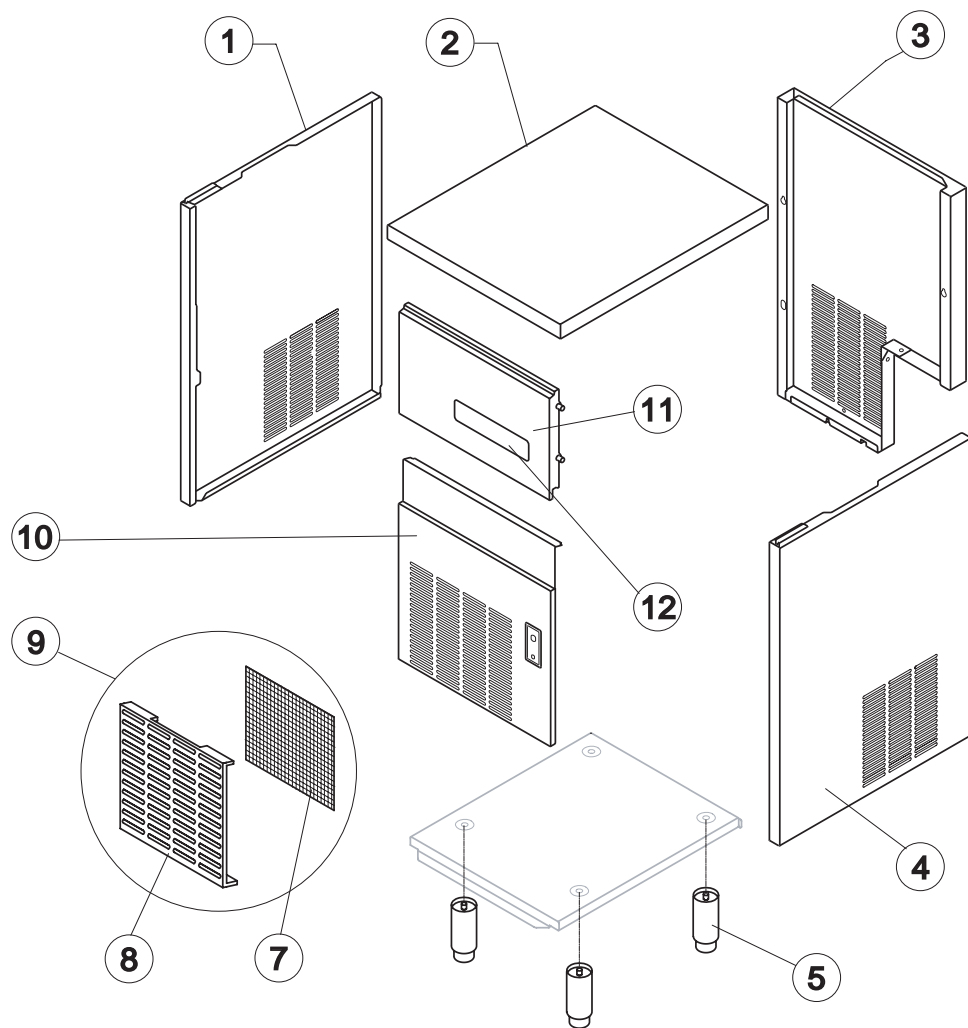
HYDRAULIC CIRCUIT SL90A DP



ELECTRIC PARTS



Rev. 1 - 11/01/2021



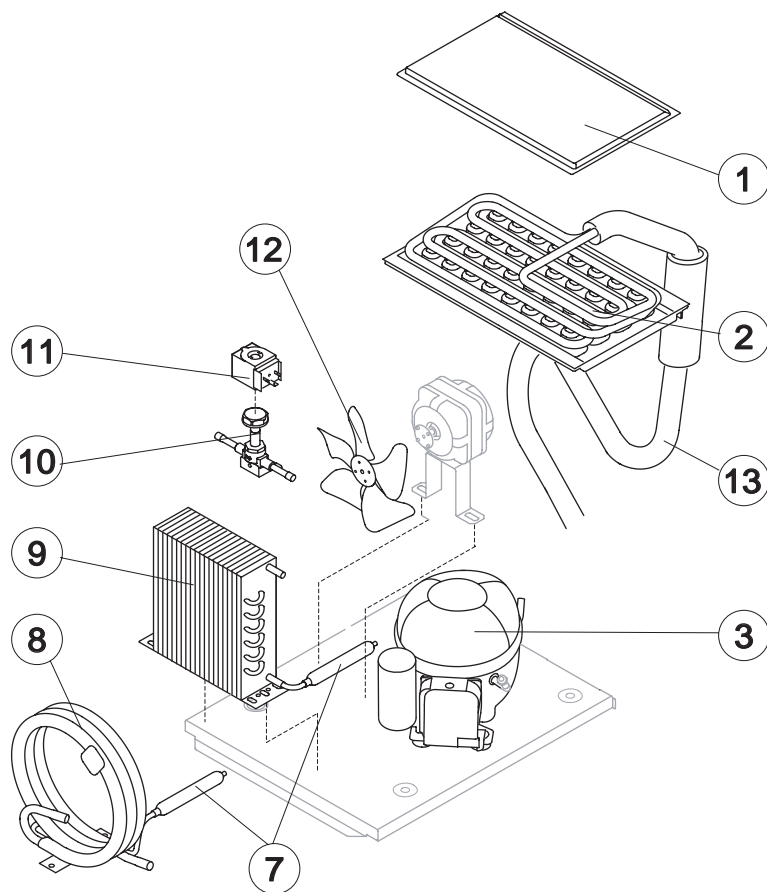
Ref.	Spare Description	Code
1	Assembly Left Side Panel	C221984
2	Top	221966
3	Rear Side Panel	21563
4	Assembly Right Side Panel	C221985
5	Foot	20613
7	Filter	18243
8	Grid	10697
9	Grid Assembly	C10697
10	Front Panel	C221987
11	Door Assembly	C10360
12	Resinated Logo	241330

SL 90 R290 R - 2020

COOLING SYSTEM

SL 90A R290/ SL 90W R290/ SL 90A R290 DP

Rev. 1 - 11/01/2021



Common Parts

Ref.	Spare Description	Code
1	Evaporator Cover Panel	10513
2	Evaporator Assy	See Table
3	Compressore	231171
7*	Molecular Drier	14009
10*	Hot Gas Valve Body	201129
11*	Hot Gas Valve Coil	231294
12	Suction Fan	See Table
13	Suction Line	for the spare parts code give us the s/n.

Parts for Air-Cooled Version Only

Ref.	Spare Description	Code
9	Air Condenser	201238

Parts for Water-Cooled Version Only

Ref.	Spare Description	Code
8	Water Condenser	14374

Ref. 2 - Evaporator

Kind of Cube	Code
17 g. (Standard)	D10046
32 g.	D10089
14 g.	D10417
41 g.	D10465

Ref. 12 - Suction Fan

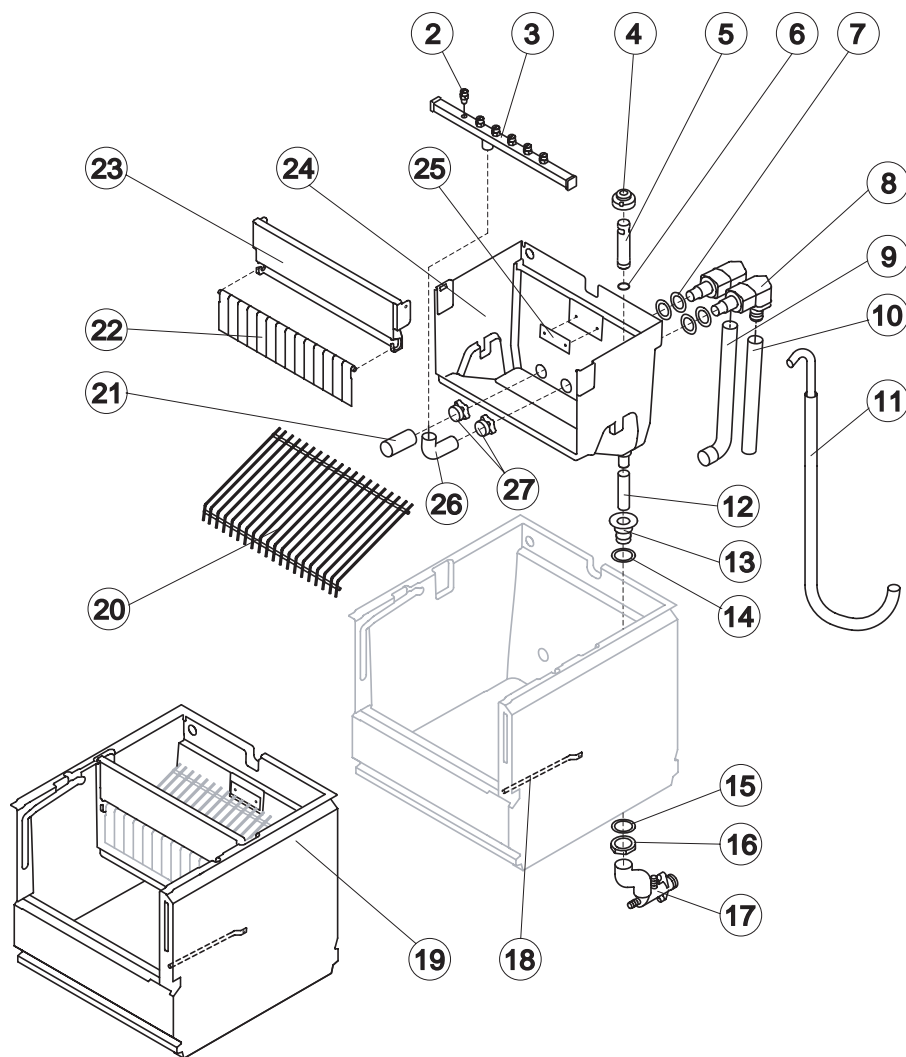
Voltage	Air	Water
220/240V 50 Hz	20096	10213

SL 90 R290 R - 2020

HYDRAULIC CIRCUIT

SL 90A R290/ SL 90W R290

Rev. 1 - 11/01/2021



Common Parts

Ref.	Spare Description	Code
2	Sprayer	D20002
3*	Sprayers Bar Assembly	See Table
4*	Overflow Cap	10305
5*	Overflow Pipe	10133
6*	OR Gasket for Overflow Pipe	20233
7	Gasket for Pump Suction/Delivery Pipes	13220
8	Insulated Pump Suction/Delivery Fitting	C10653
9	Insulated Pump Suction Pipe	C13173
10	Insulated Pump Delivery Pipe	C13175400
11*	Water Supply Pipe to the Evaporator	C13225
12*	Overflow Pipe	13108
13	Water Outlet Nipple	10472
14	Silicone Gasket	13219
15	Semirigid Polyethylene Gasket	13007
16	Bin Discharge Nut	10096
18	Bulbe-holder Pipe	20522
19	Complete Basin Assembly	C11258
20*	Ice Cubes Slide	See Table
21*	Pump Suction Filter	20005
22	Rod with Flags	10534
23	Flags ABS Support	10526
24	Inner Basin	10916
25	Slide Keep Plate	10009
26	Sprayers Feeding Pipe	13005
27	Fittings Locking Ringa	10654

Ref. 3* - Sprayers Bar Assembly

Kind of Cube	Code
17 g. (Standard)	C201070
32 g.	C201090
14 g.	C201072
41 g.	C201090

Ref. 20* - Ice Cubes Slide

Kind of Cube	Code
17 g. (Standard)	D12008
32 g.	D12030
14 g.	D12038
41 g.	D12030

Parts for Air-Cooled Version Only

Ref.	Spare Description	Code
17	Discharges Manifold	C10006

Parts for Water-Cooled Version Only

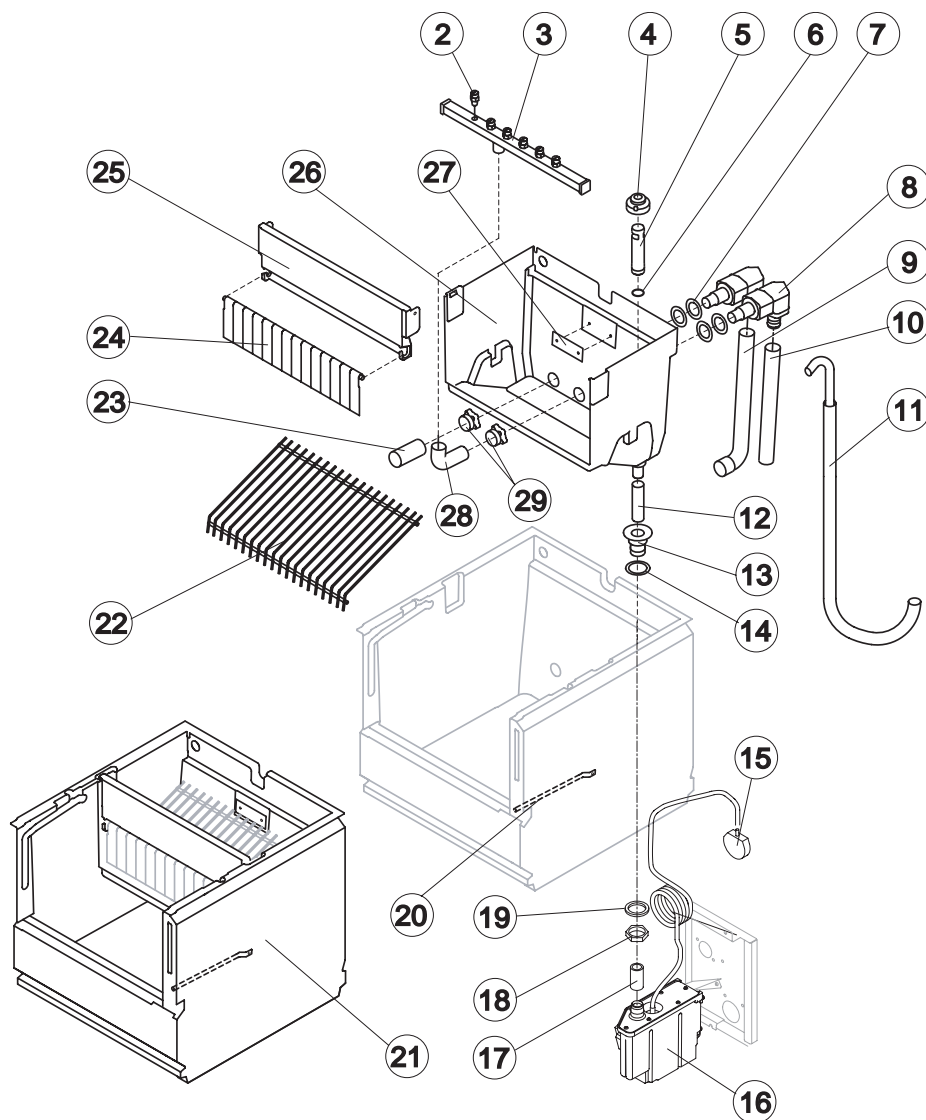
Ref.	Spare Description	Code
17	Discharges Manifold	C26452

SL 90 R290 R - 2020

HYDRAULIC CIRCUIT

SL 90A R290 DP

Rev. 1 - 11/01/2021



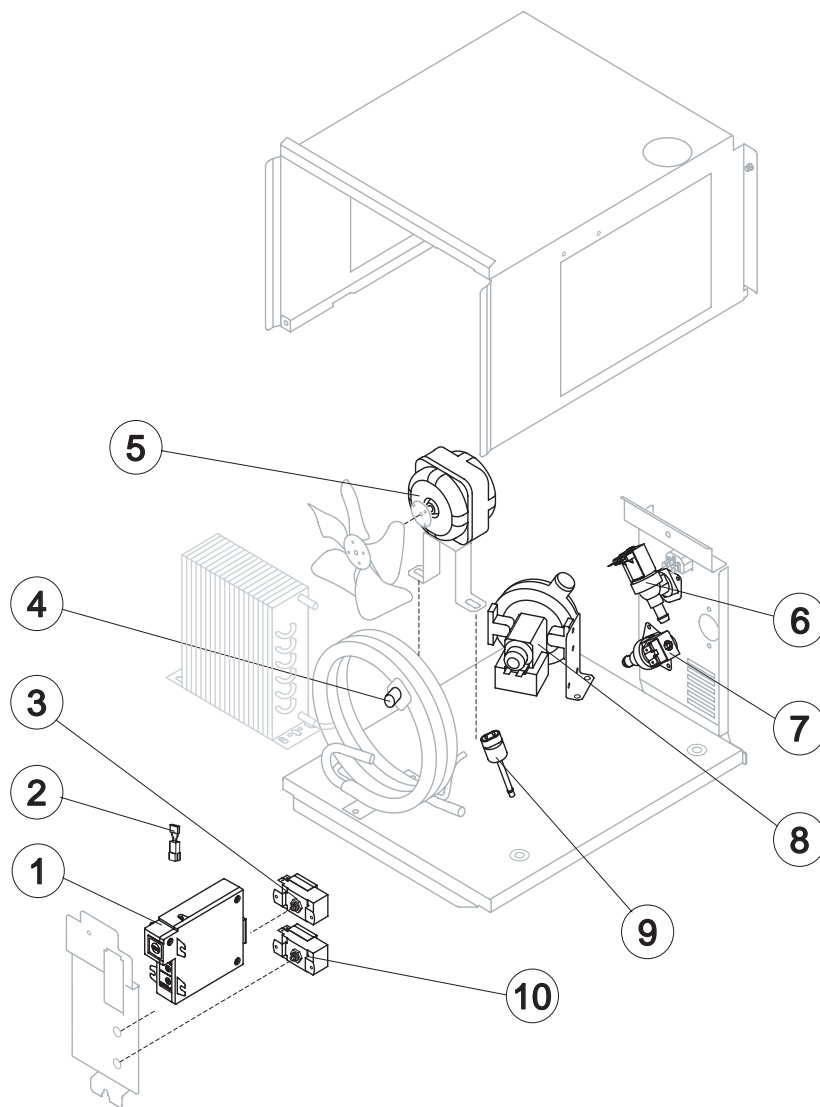
Ref.	Spare Description	Code
2	Sprayer	D20002
3*	Sprayers Bar Assembly	See Table
4*	Overflow Cap	10305
5*	Overflow Pipe	10133
6*	OR Gasket for Overflow Pipe	20233
7	Gasket for Pump Suction/Delivery Pipes	13220
8	Insulated Pump Suction/Delivery Fitting	C10653
9	Insulated Pump Suction Pipe	C13173
10	Insulated Pump Delivery Pipe	C13175400
11*	Water Supply Pipe to the Evaporator	C13225
12*	Overflow Pipe	13108
13	Water Outlet Nipple	10472
14	Silicone Gasket	13219
15	Drain Pump Pressure Switch	C231230
16	Drain Pump	C231225
17	Bin Discharge-Drain Pump Connection	C13175100
18	Bin Discharge Nut	10096
19	Semirigid Polyethylene Gasket	13007
20	Bulbe-holder Pipe	20522
21	Complete Basin Assembly	C11258
22*	Ice Cubes Slide	See Table
23*	Pump Suction Filter	20005
24	Rod with Flags	10534
25	Flags ABS Support	10526
26	Inner Basin	10916
27	Slide Keep Plate	10009
28	Sprayers Feeding Pipe	13005
29	Fittings Locking Ringa	10654

Ref. 3* - Sprayers Bar Assembly

Kind of Cube	Code
17 g. (Standard)	C201070
14 g.	C201072

Ref. 20* - Ice Cubes Slide

Kind of Cube	Code
17 g. (Standard)	D12008
14 g.	D12038



Common Parts

Ref.	Spare Description	Code
1*	Electronic Timer / On-Off (AWS)	R231154
3*	Bin Thermostat	23005
5*	Fan Motor	231041
7*	1 Way- Water Inlet Valve	23115
8*	Pump Assembly	C231397
10*	Evaporator Thermostat	23591

Parts for Water-Cooled Version Only

Ref.	Spare Description	Code
2	Anti Radio Interference Filter	Only 220V 50 Hz C23457
4*	Safety Thermostat	C23114
6*	1 Way- Water Inlet Valve	23001
9*	Condenser Pressure Switch	231352