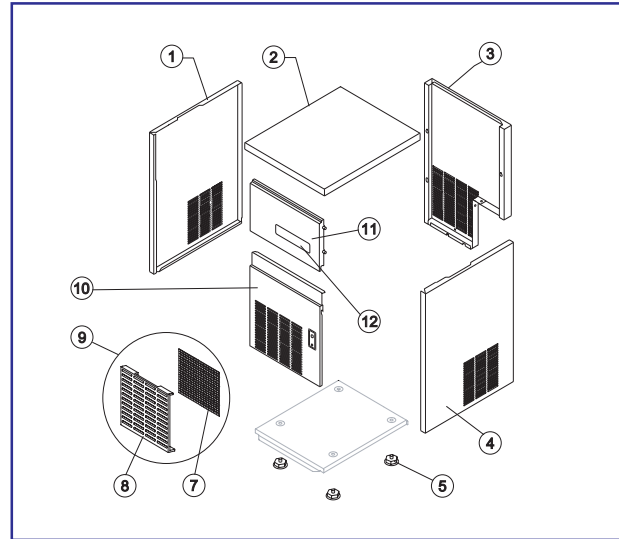


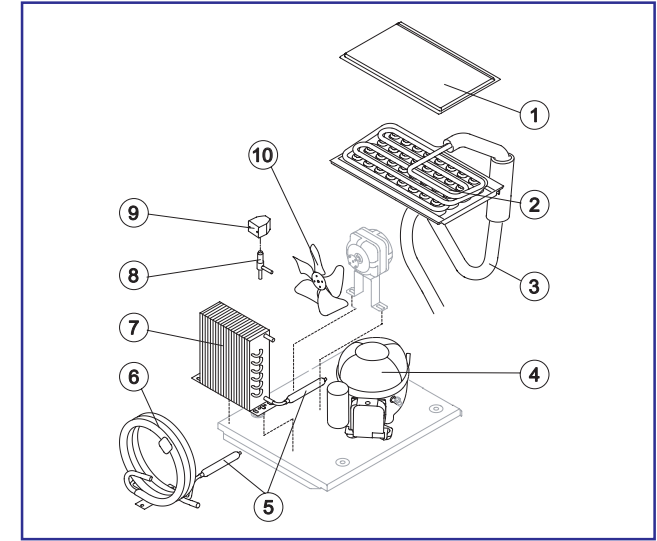
# SL 50 R 290 R - 2020

# LIST OF THE EXPLODED VIEWS

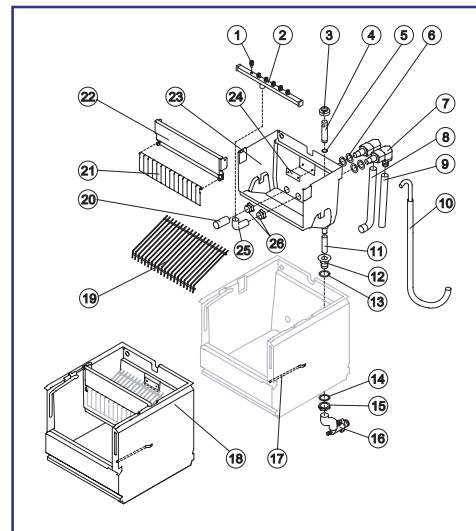
### SHELL ASSY



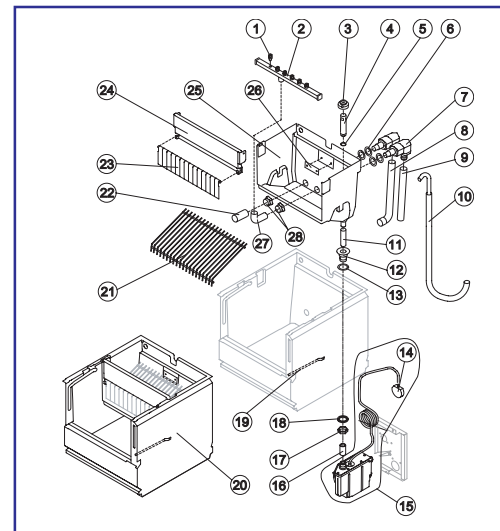
### COOLING SYSTEM



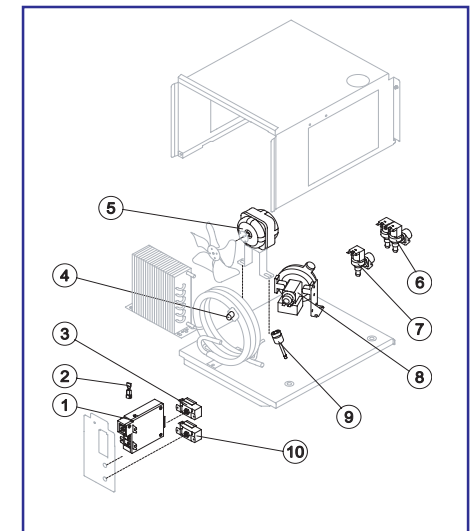
### HYDRAULIC CIRCUIT SL50A/W



### HYDRAULIC CIRCUIT SL50A DP

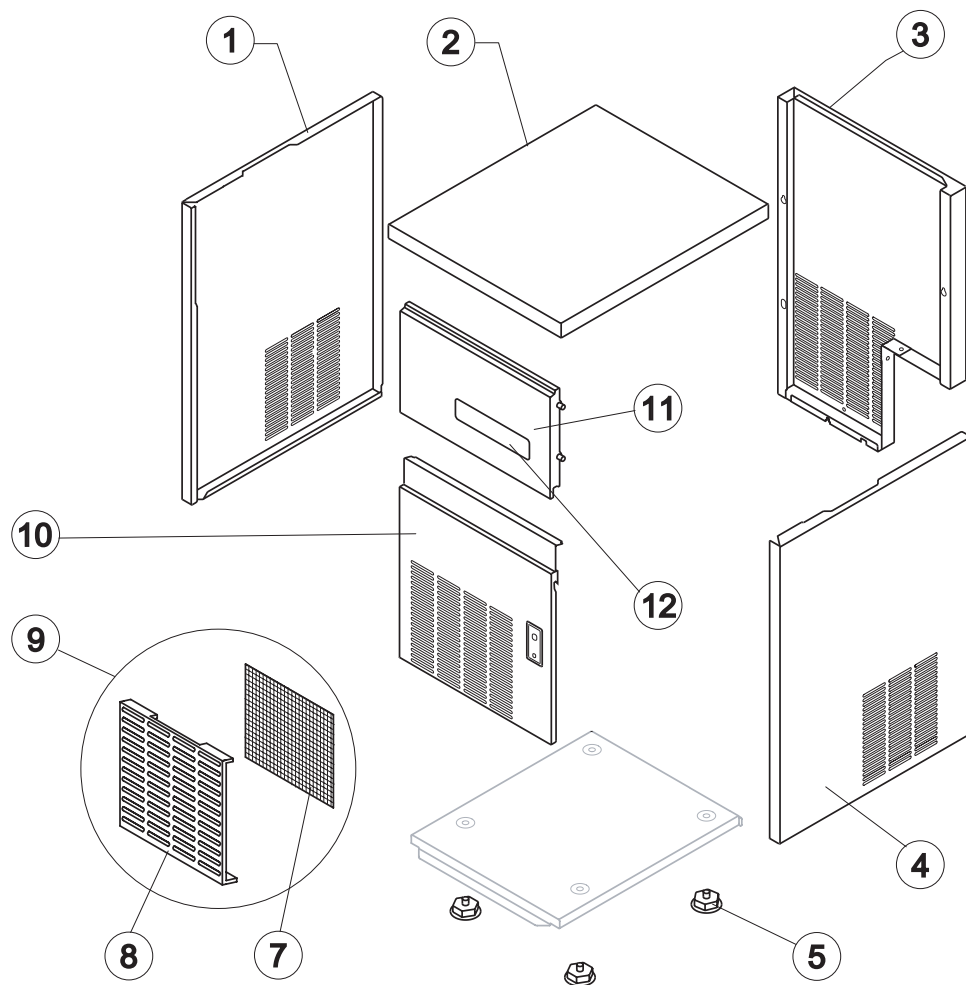


### ELECTRICAL PARTS



Rev. 03 - 26/01/2022





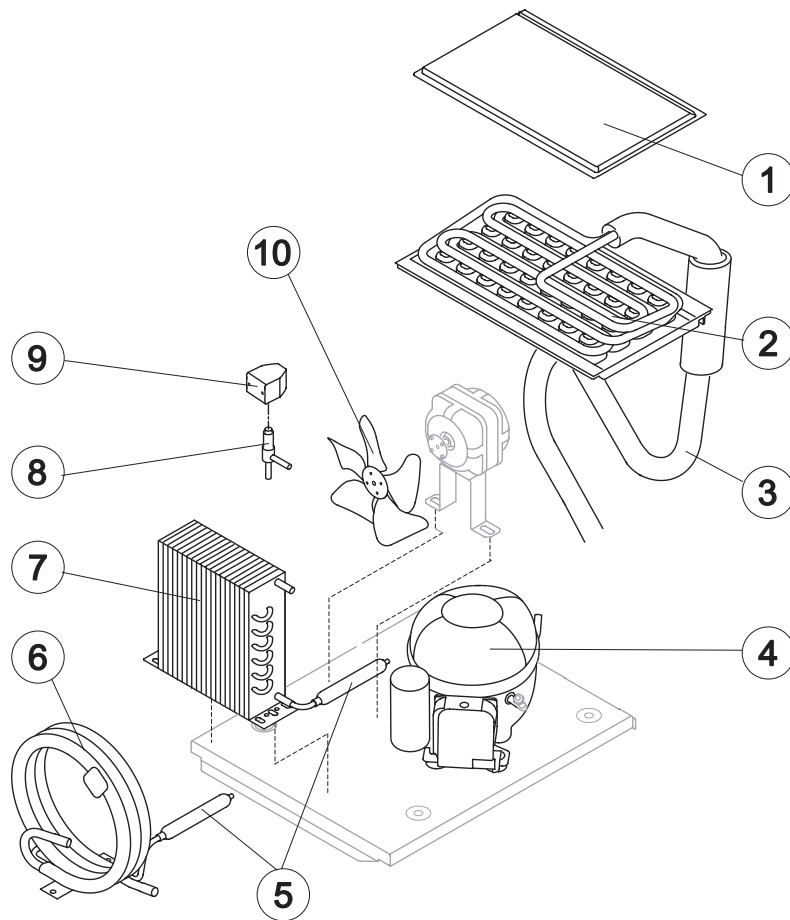
Ref.	Spare Description	Code
1	Left Side Panel Assembly	C221939
2	Top	Current Version 222060
2	Top	Till s/n. 1022088 221937
3	Grey Rear Side Panel	Current Version 21595
3	Grey Rear Side Panel	Till s/n. 1022088 21552
4	Right Side Panel Assembly	C221940
5	Foot	10557
7	Filter	18243
8	Grid	10697
9	Grid Assembly	C10697
10	Front Panel	Current Version C222098
10	Front Panel	Till s/n. 1097375 C221942
11	Door Assembly	C10358
12	Resinated Logo	241330

# SL 50 R 290 R - 2020

# COOLING SYSTEM

## SL 50A R290 / SL 50W R290/ SL 50A R290 DP

Rev. 03 - 26/01/2022



### Common Parts

Ref.	Spare Description	Code
1	Evaporator Cover Panel	10512
2	Evaporator Assy	See Table
3	Suction Line	for the spare parts code give us the s/n.
4	Compressor	231122
5*	Molecular Drier	14009
8*	Hot Gas Valve Body	20853
9*	Hot Gas Valve Coil	23854
10	Suction Fan	See Table

### Parts for Air-Cooled Version Only

Ref.	Spare Description	Code
7	Air Condenser	20534

### Parts for Water-Cooled Version Only

Ref.	Spare Description	Code
6	Water Condenser	14014

### Ref. 2 - Evaporator

Kind of Cube	Code
17 g. (Standard)	D10045
32 g.	D10320
14 g.	D10416
41 g.	D10502

### Ref. 10 - Suction Fan

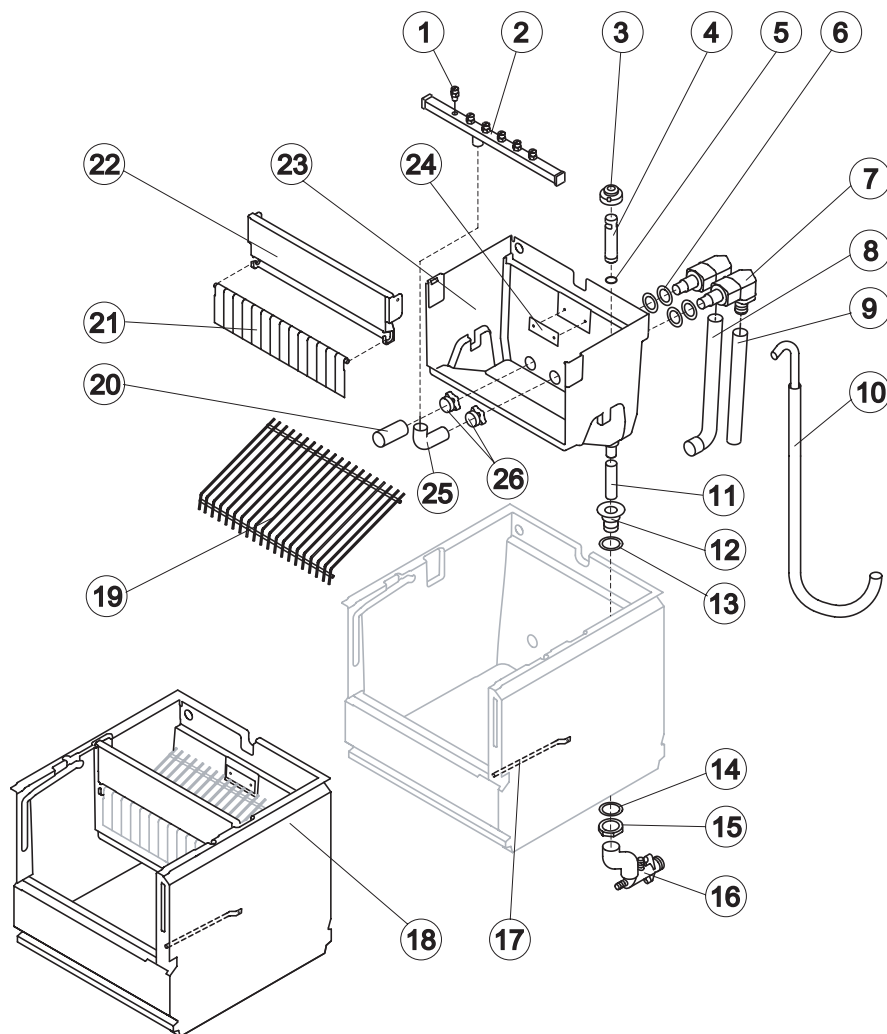
Voltage	Air	Water
220/240V 50 Hz	20096	10213

# SL 50 R 290 R - 2020

# HYDRAULIC CIRCUIT

SL 50A R290 / SL 50W R290

Rev. 03 - 26/01/2022



## Common Parts

Ref.	Spare Description	Code
1	Sprayer	D20002
2*	Sprayers Bar Assembly	See Table
3*	Overflow Cap	10305
4*	Overflow Pipe	10133
5*	OR Gasket for Overflow Pipe	20233
6	Gasket for Pump Suction/Delivery Pipes	13220
7	Insulated Pump Suction/Delivery Fitting	C10653
8	Insulated Pump Suction Pipe	C13171
9	Insulated Pump Delivery Pipe	C13175230
10*	Water Supply Pipe to the Evaporator	C13127
11*	Overflow Pipe	13105
12	Water Outlet Nipple	10472
13	Gasket	13219
14	Semirigid Polyethylene Gasket	13007
15	Bin Discharge Nut	10096
17	Bulbe-holder Pipe	20520
18	Complete Basin Assembly	C11254
19*	Ice Cubes Slide	See Table
20*	Pump Suction Filter	20005
21	Rod with Flags	10533
22	Flags ABS Support	10529
23	Inner Basin	10909
24	Slide Keep Plate	10009
25	Sprayers Feeding Pipe	13005
26	Fittings Locking Ring	10654

### Ref. 2\* - Sprayers Bar Assembly

Kind of Cube	Code
17 g. (Standard)	C201062
32 g.	C201089
14 g.	C201071
41 g.	C201089

### Ref. 19\* - Ice Cubes Slide

Kind of Cube	Code
17 g. (Standard)	D12001
32 g.	D12066
14 g.	D12046
41 g.	D12066

### Parts for Air-Cooled Version Only

Ref.	Spare Description	Code
16	Discharges Manifold	C10006

### Parts for Water-Cooled Version Only

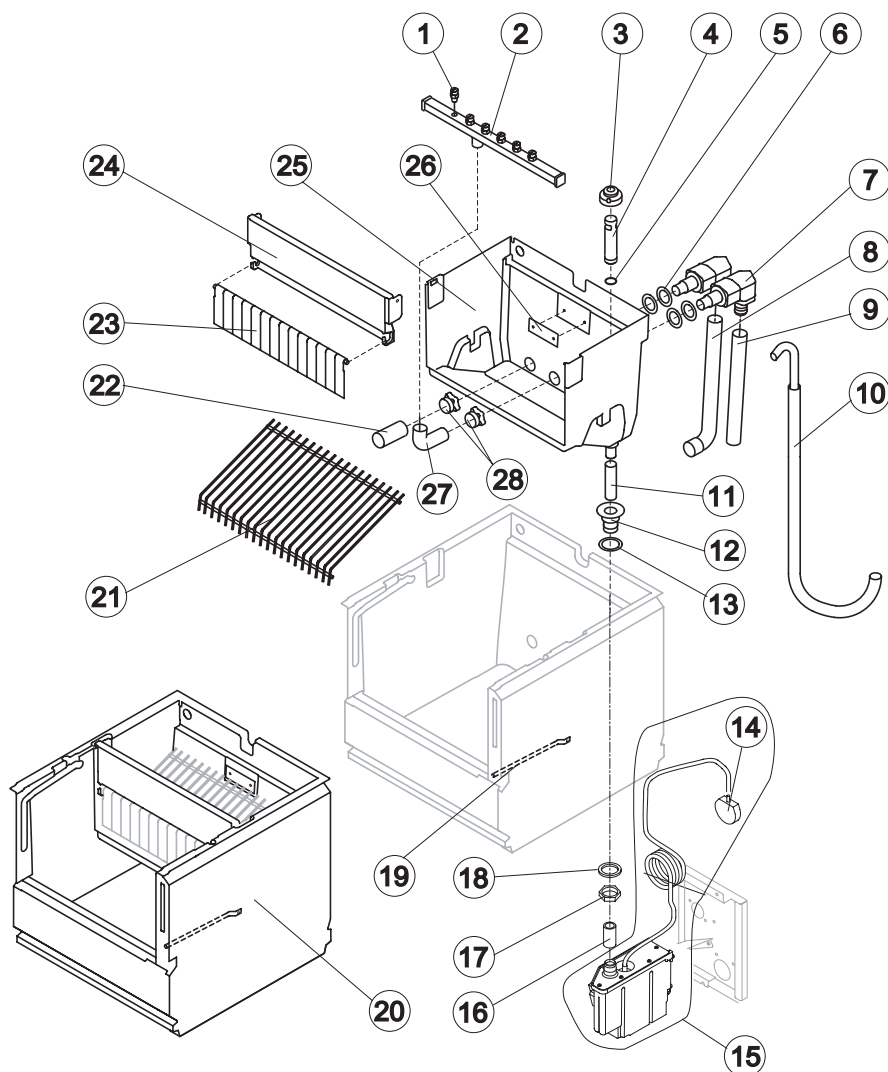
Ref.	Spare Description	Code
16	Discharges Manifold	C26452

# SL 50 R 290 R - 2020

# HYDRAULIC CIRCUIT

## SL 50A R290 DP

Rev. 03 - 26/01/2022



### Common Parts

Ref.	Spare Description	Code
1	Sprayer	D20002
2*	Sprayers Bar Assembly	See Table
3*	Overflow Cap	10305
4*	Overflow Pipe	10133
5*	OR Gasket for Overflow Pipe	20233
6	Gasket for Pump Suction/Delivery Pipes	13220
7	Insulated Pump Suction/Delivery Fitting	C10653
8	Insulated Pump Suction Pipe	C13171
9	Insulated Pump Delivery Pipe	C13175230
10*	Water Supply Pipe to the Evaporator	C13127
11*	Overflow Pipe	13105
12	Water Outlet Nipple	10472
13	Gasket	13219
14	Drain Pump Pressure Switch	C231230
15	Drain Pump	RC231225
16	Bin Discharge-Drain Pump Connection	C13175080
17	Bin Discharge Nut	10096
18	Semirigid Polyethylene Gasket	13007
19	Bulbe-holder Pipe	20520
20	Complete Basin Assembly	C11254
21*	Ice Cubes Slide	See Table
22*	Pump Suction Filter	20005
23	Rod with Flags	10533
24	Flags ABS Support	10529
25	Inner Basin	10909
26	Slide Keep Plate	10009
27	Sprayers Feeding Pipe	13005
28	Fittings Locking Ring	10654

### Ref. 2\* - Sprayers Bar Assembly

Kind of Cube	Code
17 g. (Standard)	C201062
14 g.	C201071

### Ref. 21\* - Ice Cubes Slide

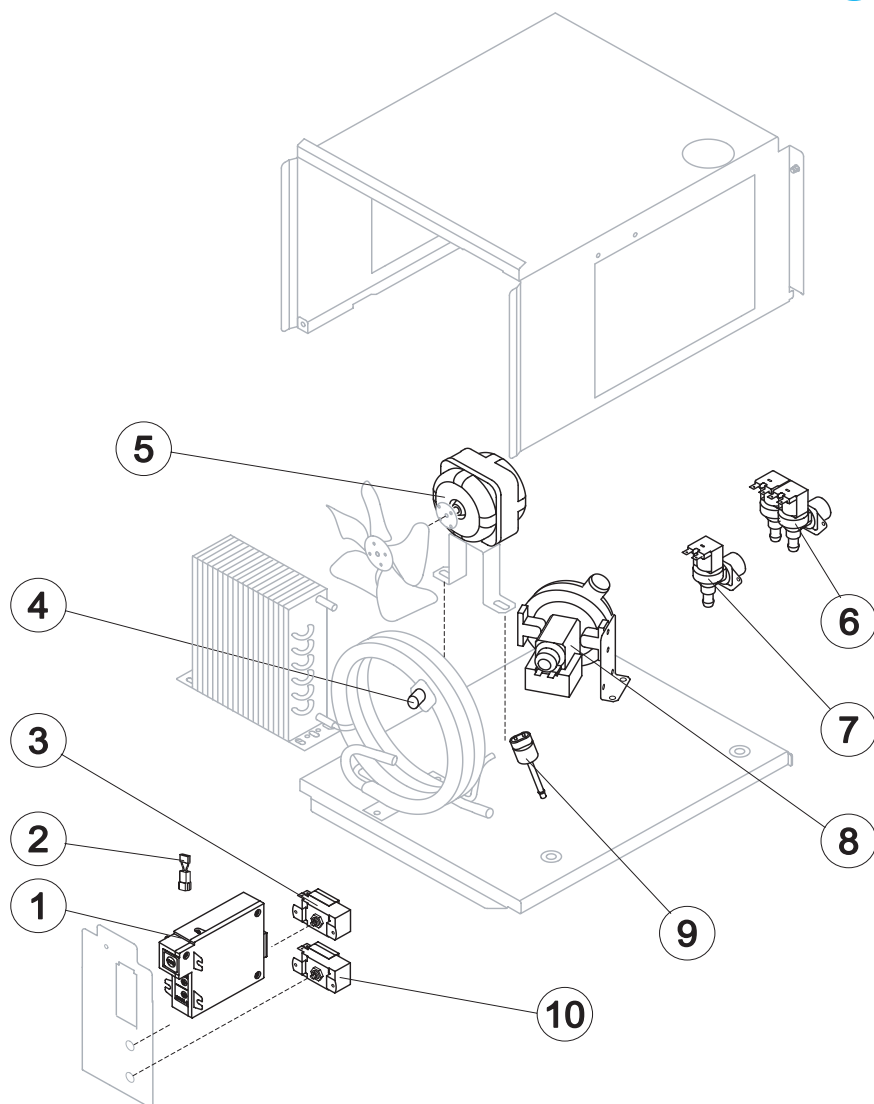
Kind of Cube	Code
17 g. (Standard)	D12001
14 g.	D12046

# SL 50 R 290 R - 2020

# ELECTRIC PARTS

## SL 50A R290 / SL 50W R290/ SL 50A R290 DP

Rev. 03 - 26/01/2022



### Common Parts

Ref.	Spare Description	Code
1*	Electronic Timer / On-Off (AWS)	R231154
3*	Bin Thermostat	23005
5*	Fan Motor	231041
8*	Pump Assembly	C231397
10*	Evaporator Thermostat	23591

### Parts for Air-Cooled Version Only

Ref.	Spare Description	Code
7*	1 Way- Water Inlet Valve	23497

### Parts for Water-Cooled Version Only

Ref.	Spare Description	Code
2	Anti Radio Interference Filter	Only 220V 50 Hz C23457
4*	Safety Thermostat	C23114
6*	2 Ways- Water Inlet Valve	23542
9*	Condenser Pressure Switch	231352