



7450.0074

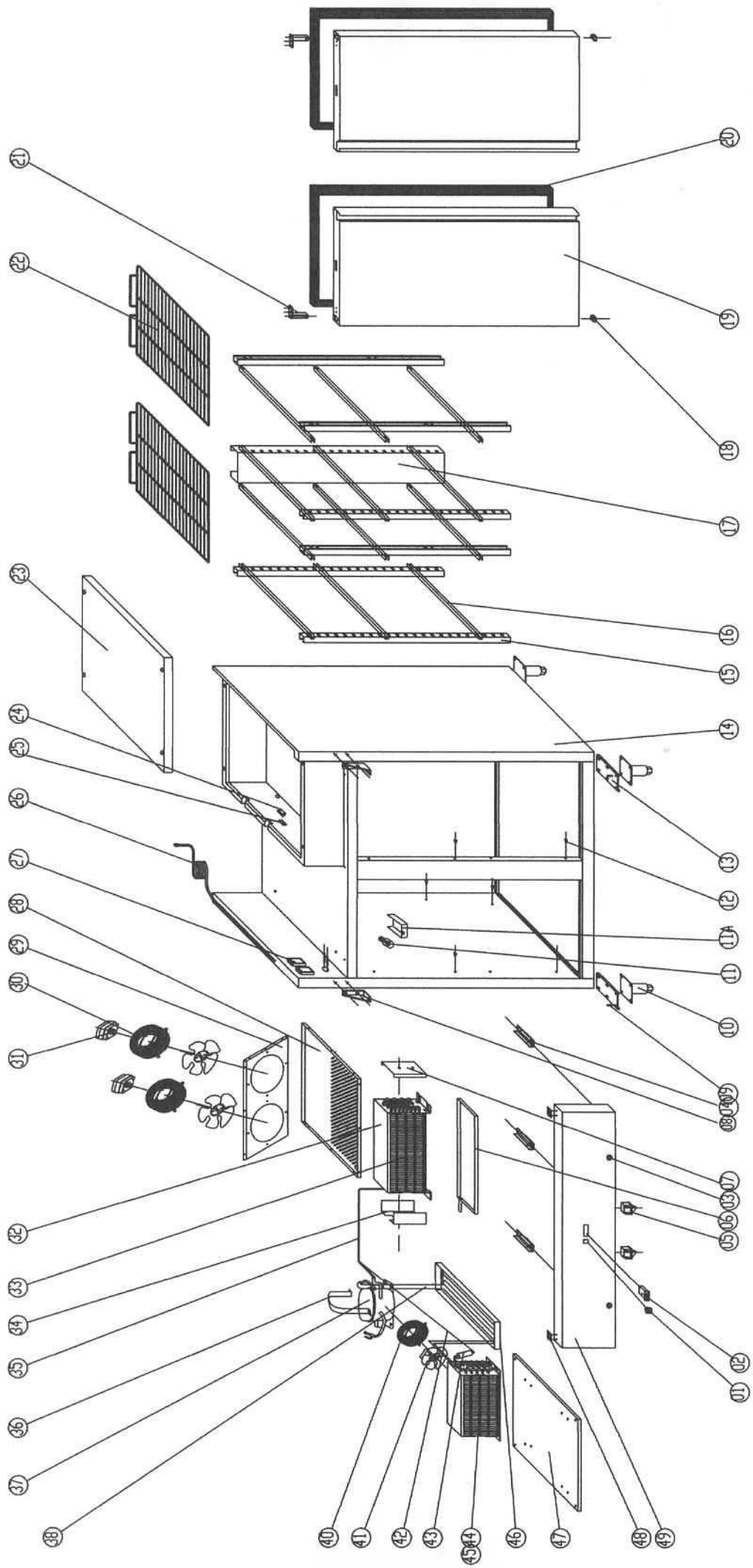
Onderdelen informatie

Erzatzteil information

Spare part information

Information de pièces





EXPLODE DIAGRAM OF GN1410TN TWO DOORS

SPARE PARTS LIST OF 7450.0074

GH4507N 2016

NO.	CODE	NAME	MODEL	QTY.	MATERIAL	REMARK
1	9108.0244	MAIN SWITCH	DRH-2415-3	1PC		
2	9390.1905	THERMOSTAT(WITH 2 PROBES)	REK31	1PC		
3	9338.0300	LOCK		2PCS		
4		FRONT PANEL FIXED CLIP	35×117	3PCS	ZINCIFY STEEL	
5	9338.0170	DOOR SWITCH	HC-050K4	2PCS		
6		EVAPORATOR WATER PAN		1PC		
7		EVAPORATOR BACK GUIDE		1PC	STAINLESS	
8	9338.0220	UP HINGE		2PCS	STAINLESS	
9	9338.0100	DOWN HINGE AXIS	Φ7x24/M5	2PCS	STAINLESS	
10	4627.052	FEET	H=150	4PCS	STAINLESS	
11		LED LAMP		1PC		
11A		LAMP COVER		1PC	PLASTIC	
12		SUPPORT LOCATED NUT	M6	16PCS	STAINLESS	
13	9338.0225	DOWN HINGE		2PCS	STAINLESS	
14		BODY		1PC		
15		SUPPORT		6PCS	STAINLESS	
16		GUIDE/LEFT/RIGHT	2/1 GN	6PAIRS	STAINLESS	
17		BACK MIDDLE SUPPORT		1PC	STAINLESS	
18	9338.0235	DOWN HINGE AXIS JACKET		2PCS	PLASTIC	
19	9338.0610	DOOR		2PCS		
20	9338.0605	GASKET		2PCS	PVC	
21	9635.0150	DOOR SPRING		2PCS		
22	4627.025	SHELF	2/1 GN	6PCS	COATED STEEL	
23		TOP		1PC		
24		SENSOR FIXED CLIP		1PC	STAINLESS	
25	9338.1502	PROBE PADDING		1PC	STAINLESS	
26		PLUG	LT312/1.5MM2x3G	1PC		
27		JUNCTION BOX		3PCS		
28		AIRFLOW DUCT BOARD		1PC	STAINLESS	
29		FAN SUPPORT		1PC	STAINLESS	
30		WALL RING		2PCS		
31		EVAPORATOR FAN	CA03-51/φ230	2PCS		
32		EVAPORATOR COVER		1PC	STAINLESS	
33	9338.0160	EVAPORATOR		1PC		
34		EVAPORATOR FRONT GUIDE		1PC	STAINLESS	
35		SUCTION TUBE	φ8×0.6	1PC	COPPER	
36		COMPRESSOR SAFETY BAND		1PC	ZINCIFY STEEL	
37	9182.0420	COMPRESSOR	ASPERA NE2130Z	1PC		
38		DISCHARGE TUBE	φ8×0.6	1PC	COPPER	
40		BASKET GUARD GRILLES		1PC	COATED STEEL	
41	9390.0130	CONDENSER FAN	CA01-01/φ230	1PC		
42		CAPILLARY	φ1.4×3000	1PC	COPPER	
43		FILTER DRIER	25g	1PC	XH-9	
44	9338.1030	CONDENSER		1PC		
45		FILTER		1PC		
46		CONDENSATE EVAPORATE PAN		1PC	STAINLESS	
47		UNIT BOARD		1PC	ZINCIFY STEEL	
48		HINGE		2PCS	STAINLESS	
49		FRONT PANEL		1PC	STAINLESS	