

CombiSteel

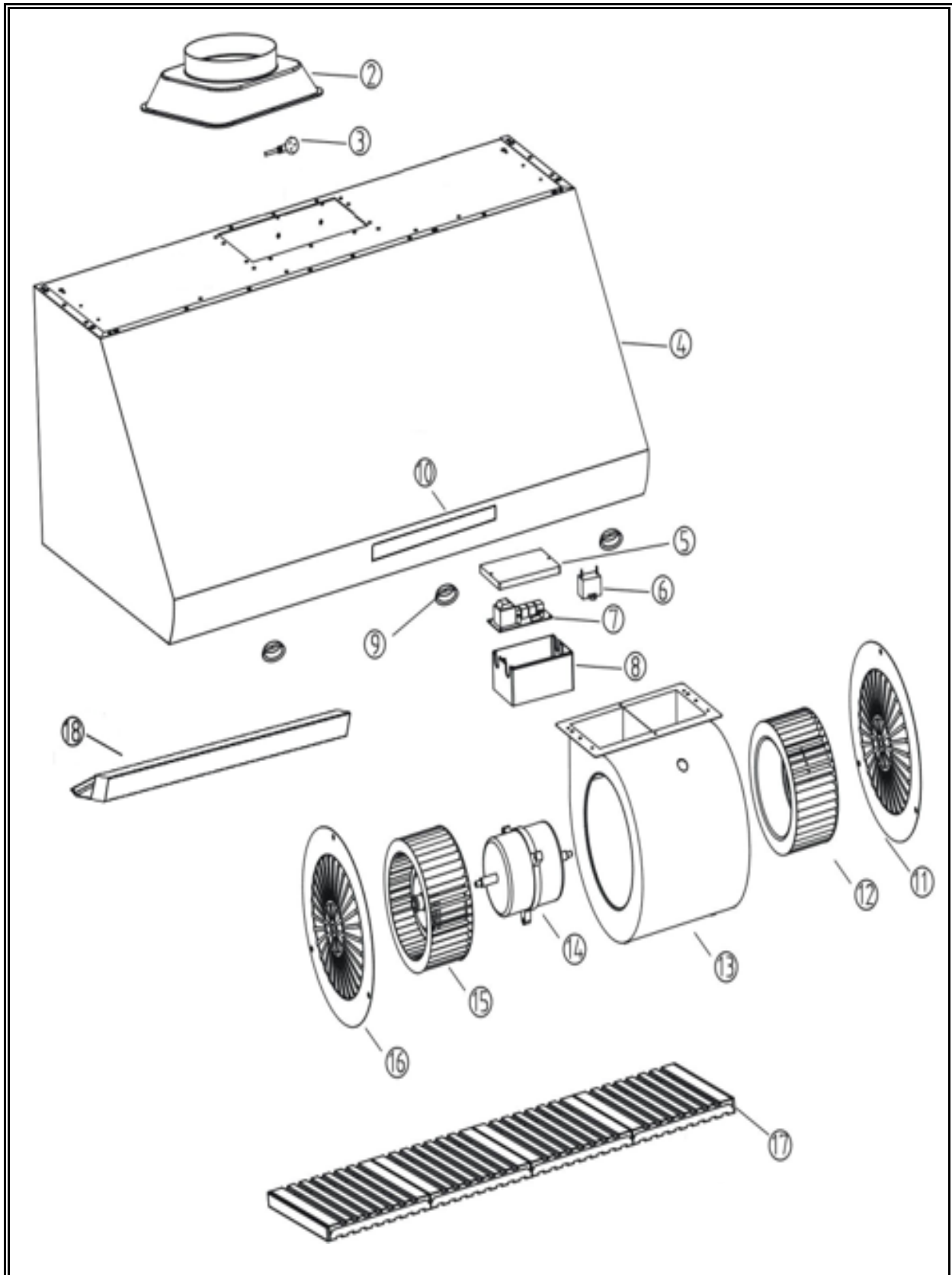
7227.0100

v1.0

Onderdelen informatie
Erzatzteil information
Spare part information
Information de pièces









Onderdelenlijst 7227.0100

POS:	Art.No.:	Omschrijving:	Aantal:
2	**	8" Duct Connector	
3	CS9392.0830	Power cord for EU	
4	**	Stainless Steel Body	
5	CS9035.0640	Plastic box for the circuit board	
6	CS9035.0632	5uf capacaitor	
7	CS9035.0610	Universal Elec. Main Circuit Board	
8	CS9035.0640	Plastic box for the circuit board	
9	CS9035.0650	LED 3x1W 12V Light Bulb Cold (White) Color	
10	CS9035.0620	4-Spd R-Type Touch Sensor Elec. Control Panel LED w/Cable	
17	CS7227.1020	Baffle Filter Type-III	
18	**	Oil Channel	
##	CS9035.0606	Motorset Complete (11+12+13+14+15+16)	
		** = No article number known, must be requested specifically.	



7227.0100

Combisteel BV

Lightschip 63
3991CP Houten
The Netherlands

+31 (0)30 285 00 90
info@combisteel.com
www.combisteel.com