

7227.0010

v1.0

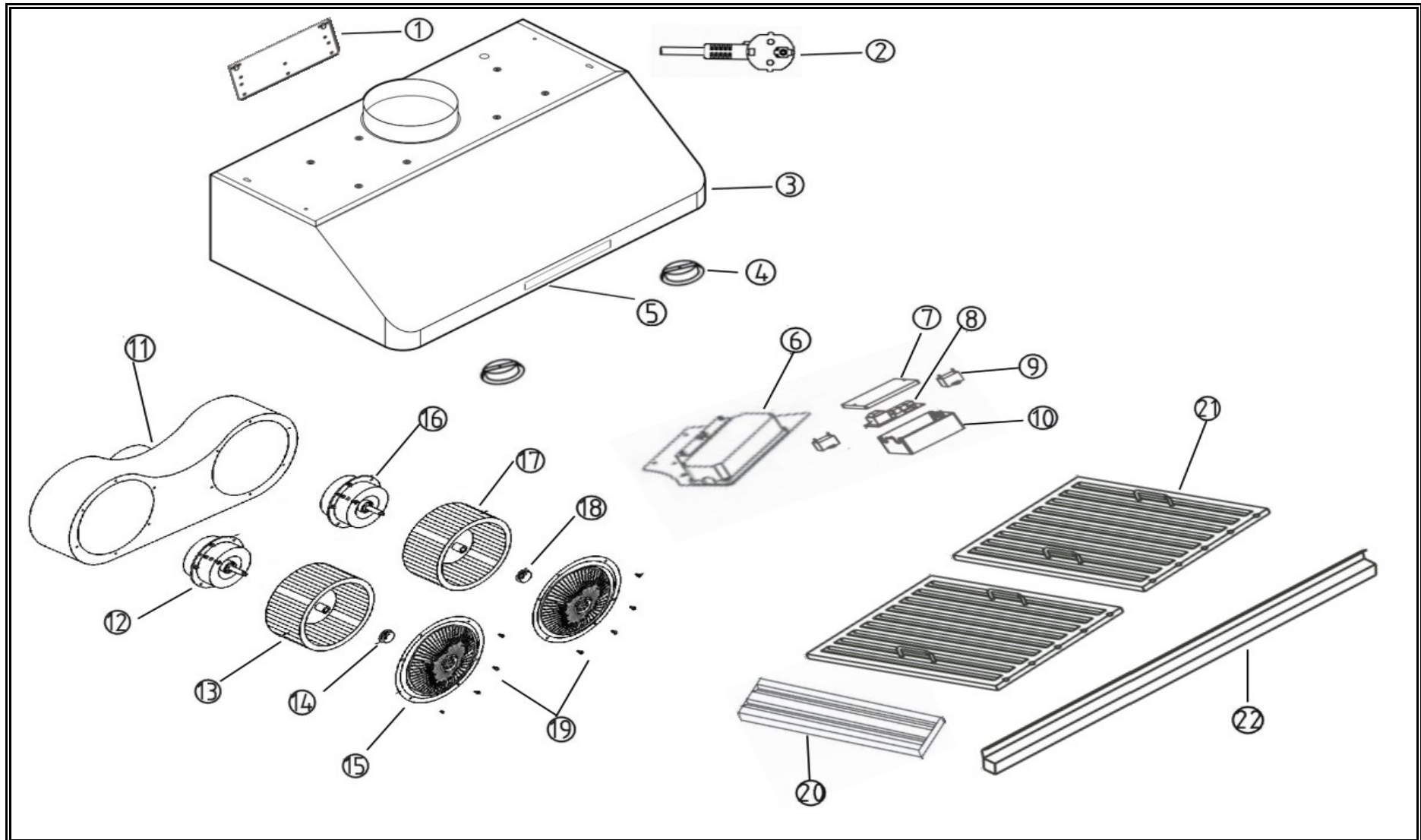
Onderdelen informatie
Erzatzteil information
Spare part information
Information de pièces



CombiSteel

7227.0010

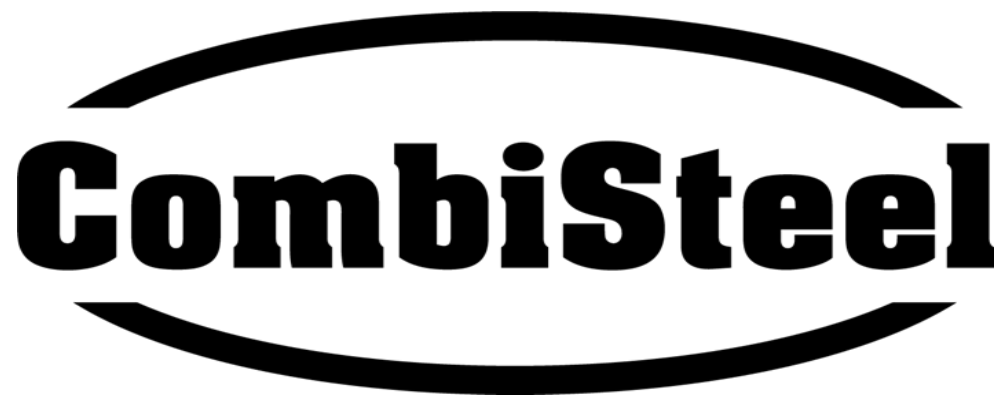






Onderdelenlijst 7227.0010

POS:	Art.No.:	Omschrijving:	Aantal:
1	**	Chimney Mounting Bracket for Hood Body	
2	CS9392.0830	Power cord for EU	
3	**	Stainless Steel Body	
4	CS9035.0650	LED 3x1W 12V Light Bulb Cold (White) Color	
5	CS9035.0620	4-Spd R-Type Touch Sensor Elec. Control Panel LED w/Cable	
6	**	Metal bracket to hold the plastic box	
7	CS9035.0640	Cover of plastic box for the circuit board	
8	CS9035.0610	Universal Elec. Main Circuit Board for LED	
9	CS9035.0630	4uf capacaitor	
10	CS9035.0640	Plastic box for the circuit board	
11	**	Spuirrel Cage ##	
12	CS9035.0601	Left motor 4-Spd 240V/50Hz ##	
13	CS9035.0602	Left blade ##	
14	CS9035.0616	Left screw of left blade ##	
15	CS9035.0660	Protective grill for Spuirrel Cage ##	
16	CS9035.0600	Right motor 4-Spd 240V/50Hz ##	
17	CS9035.0604	Right blade ##	
18	CS9035.0624	Right screw of left blade ##	
19	**	Screw that fix the grills to the spuirrel cage ##	
20	CS7227.1010	Baffle Filter Type-V	
21	CS7227.1000	Baffle Filter Type-II	
22	**	Oil Channel	
##	CS9035.0612	Motorset Complete (11+12+13+14+15+16+17+18+19)	
		** = No article number known, must be requested specifically.	



7227.0010

Combisteel BV

Lightschip 63
3991CP Houten
The Netherlands

+31 (0)30 285 00 90
info@combisteel.com
www.combisteel.com