



**7227.0010**

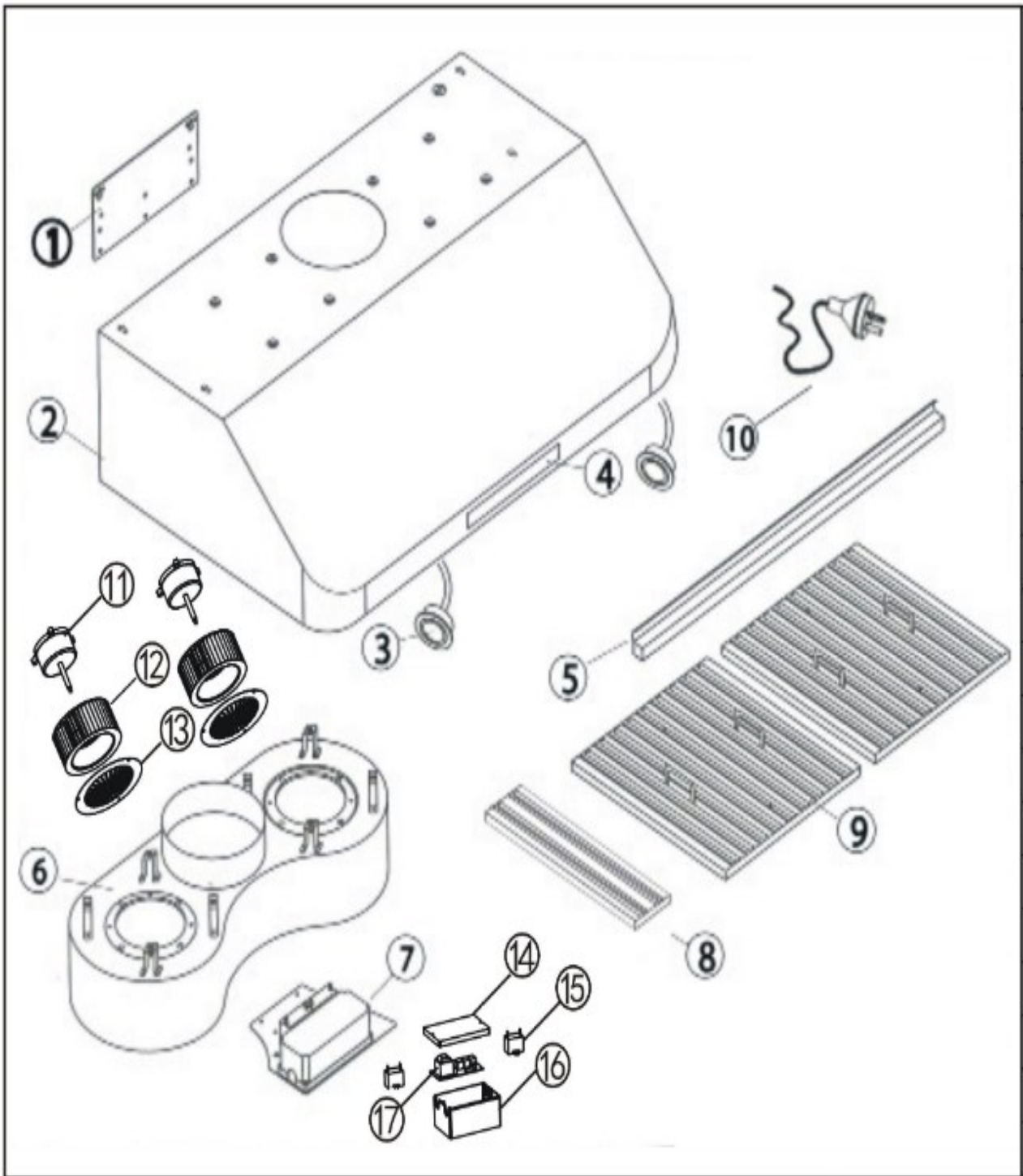
Onderdelen informatie

Erzatzteil information

Spare part information

Information de pièces





**Onderdelenlijst 7227.0010**

<b>POS:</b>	<b>Art.No.:</b>	<b>Omschrijving:</b>	<b>Aantal:</b>
1		Chimney Mounting Bracket for Hood Body	1
2		Stainless Steel Body only	1
3	9035.0650	LED 3x1W 12V Light Bulb Cold (White) Color	2
4	9035.0620	4-Spd R-Type Touch Sensor Elec. Control Panel LED w/Cable (Circuit Board not included)	1
5		Oil Channel	1
6	9035.0606	Dual motor 4-Spd 240V/50Hz COMPLETE	1
7	9035.0640	Plastic box for the circuit board	1
8	7227.1010	Little Baffle Filter Type-IV (81x356)	2
9	7227.1000	Baffle Filter Type-II (344x356)	3
10	9392.0830	Power cord for Western Europe	1
11A	9035.0601	Motor 4-Spd 240V/50Hz Left-Side	1
11B	9035.0600	Motor 4-Spd 240V/50Hz Right-Side	1
12A	9035.0602	Left Fan blade	1
12B	9035.0604	Right Fan blade	1
13	9035.0660	Air Flow Grill	2
14		Circuit Box Lid (See Pos 7)	1
15	9035.0630	Capacitor 4uf	1
16		Circuit Box Body (See Pos 7)	1
17	9035.0610	Universal Elec. Main Circuit Board for LED Type	1